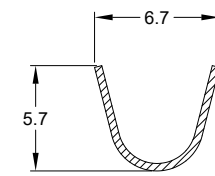
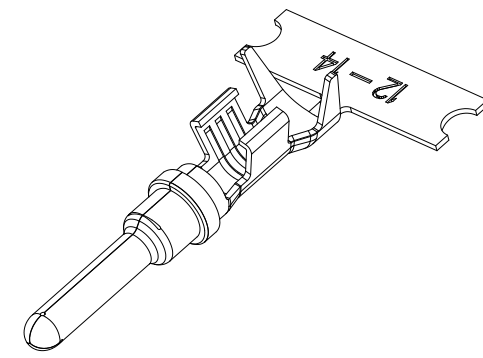
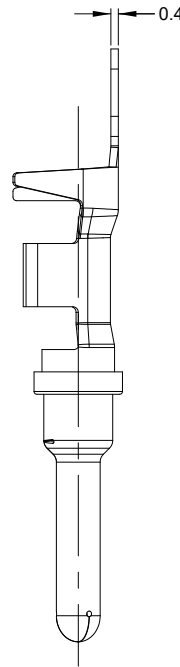
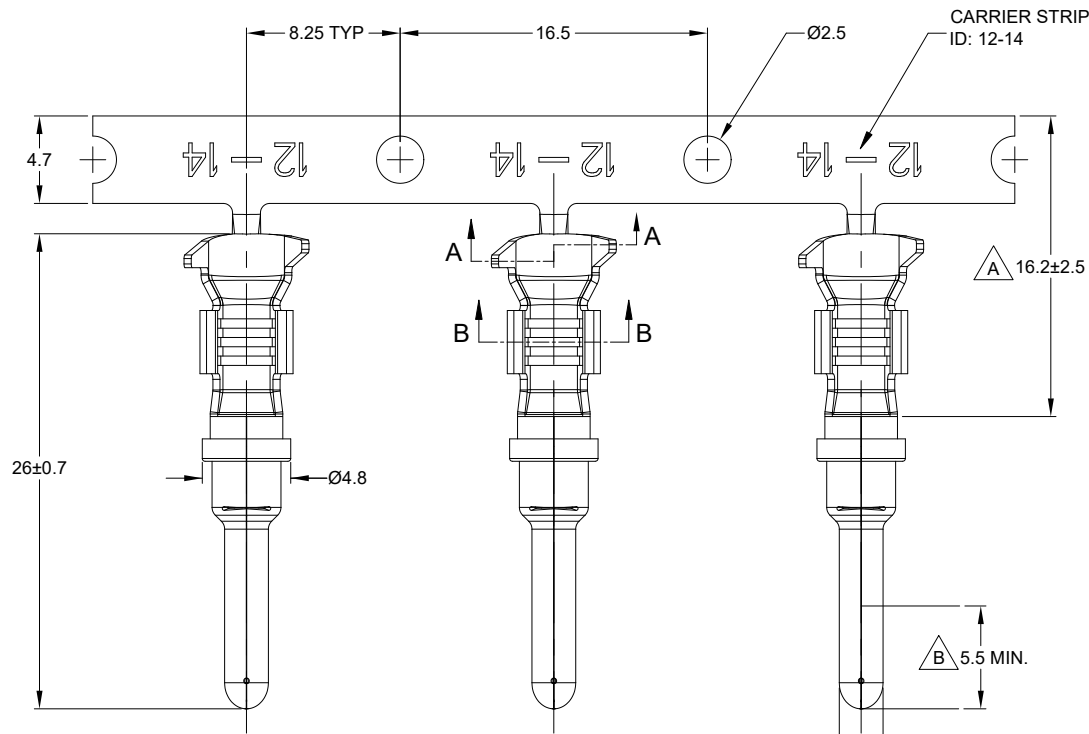
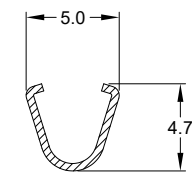


REVISIONS					
REV	ECO	DESCRIPTION	DATE	BY	APPR
A3	--	RELEASE NEW DWG FORMAT	21/OCT/13	DRP	-
A4	--	REVISED PLATING INFO	16/JUN/16	JAH	-
A5	C1070S	UPDATE DRAWING	21/JUN/19	JOE	TOMMY
B1	C1298S	UPDATE PLATING	14/SEP/20	SULLEN	TOMMY



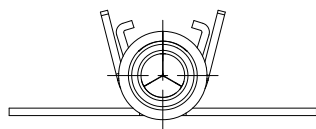
SECTION A-A



SECTION B-B

NOTES: UNLESS OTHERWISE SPECIFIED

- MATERIAL: COPPER ALLOY
- PLATING: SEE PART NUMBER CHART
- CONTACT SIZE: 12
- SPECIFICATIONS:
  - CURRENT RATING: 25 AMPS
  - CONTACT MILLIVOLT DROP: 100 MILLIVOLT DROP @ 25 AMP TEST CURRENT.
  - RoHS COMPLIANT
- RECOMMENDED WIRE RANGE: 12 - 14 AWG (4.0 - 2.0MM<sup>2</sup>)  
RECOMMENDED INSUL O.D: 2.87 - 4.47MM (0.113 - 0.176INCH)
- PACKAGE: 2000 PCS/REEL
- AVAILABLE APPLICATORS: MFX-3973-K OR MFX-3973-G
- ALL DIMENSIONS ARE FOR REFERENCE USE ONLY



PART NUMBER CHART		
PLATING	PART NUMBER	PLATING DESCRIPTION
NICKEL	AT60-12-0166	SELECTIVE TIN OVER NICKEL OVERALL IN $\Delta$ ZONE
GOLD	AT60-12-0144	SELECTIVE GOLD FLASH OVER NICKEL OVERALL IN $\nabla$ ZONE OR ENTIRE CONTACT
TIN	AT60-12-0177	TIN OVER NICKEL OVERALL

SEE PART NUMBER CHART		REF: 1060-12-0144, 1060-12-0166															
PART NUMBER		DESCRIPTION															
QUANTITY	MATERIALS LIST		ITEM														
UNLESS OTHERWISE SPECIFIED 1) All dimensions are in metric(mm). 2) Tolerances are as follows: 1 PL DEC ±0.30 2 PL DEC ±0.15 3 PL DEC ±0.08 3) Note reference = $\Delta$		<table border="1"> <tr> <th>SIGNATURES</th> <th>DATE</th> </tr> <tr> <td>DRAWN: SULENZHANG</td> <td>14/SEP/20</td> </tr> <tr> <td>CHECKED: ORONLI</td> <td>15/SEP/20</td> </tr> <tr> <td>ENGINEER:</td> <td></td> </tr> <tr> <td>APPROVAL: TOMMY XIE</td> <td>18/SEP/20</td> </tr> <tr> <td>CUSTOMER:</td> <td></td> </tr> </table>		SIGNATURES	DATE	DRAWN: SULENZHANG	14/SEP/20	CHECKED: ORONLI	15/SEP/20	ENGINEER:		APPROVAL: TOMMY XIE	18/SEP/20	CUSTOMER:			
SIGNATURES	DATE																
DRAWN: SULENZHANG	14/SEP/20																
CHECKED: ORONLI	15/SEP/20																
ENGINEER:																	
APPROVAL: TOMMY XIE	18/SEP/20																
CUSTOMER:																	
MATERIAL SPECIFICATIONS:		<p><b>Amphenol</b></p> <p>Sine Systems - www.amphenol-sine.com 44724 Morley Drive Clinton Township, MI 48036</p>															
PROCESS SPECIFICATIONS:		<p>CONTACT, PIN, STAMPED, SIZE 12, 12-14 AWG, A SERIES</p>															
NEXT ASSY:		<table border="1"> <tr> <td>SIZE</td> <td>TYPE</td> <td>DWG NO.</td> <td>REVISION</td> </tr> <tr> <td>B</td> <td>C-</td> <td>AT60-12-01XX</td> <td>B1</td> </tr> </table>	SIZE	TYPE	DWG NO.	REVISION	B	C-	AT60-12-01XX	B1	<table border="1"> <tr> <td>SCALE</td> <td>SHEET</td> <td>OF</td> </tr> <tr> <td>NONE</td> <td>1</td> <td>1</td> </tr> </table>	SCALE	SHEET	OF	NONE	1	1
SIZE	TYPE	DWG NO.	REVISION														
B	C-	AT60-12-01XX	B1														
SCALE	SHEET	OF															
NONE	1	1															

TITLE: CONTACT, PIN, STAMPED, SIZE 12, 12-14 AWG, A SERIES  
DWG NO: AT60-12-01XX  
REV: B1  
SH: 1  
OF: 1