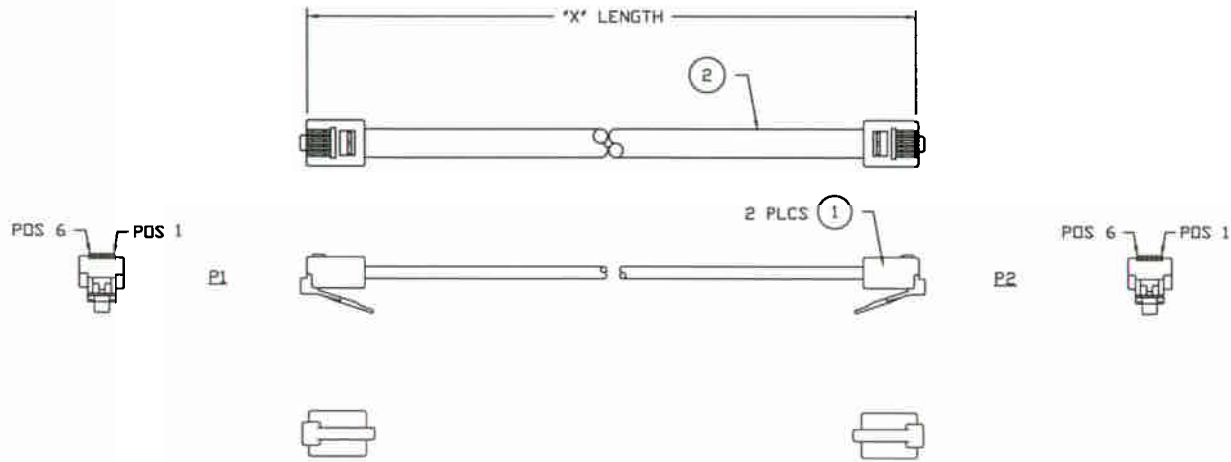


THESE DRAWINGS AND SPECIFICATIONS ARE THE SOLE PROPERTY OF I/O INTERCONNECT INC. U.S.A. AND SHALL NOT BE REPRODUCED, COPIED, OR USED IN ANY MANNER WITHOUT THE PRIOR WRITTEN CONSENT OF I/O INTERCONNECT INC. OR ITS AFFILIATED SUBSIDIARIES.

DWG. NO.	ZONE	REV.	DESCRIPTION	DATE	APPROVED
XX6-510-D		C	ECN C285	08/07/01	K.C.
		D	ADD NOTE & CHANGE P/N TO ROHS COMPLIANT PER ECN D830	04/21/05	M.G.



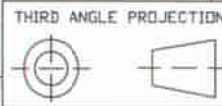
WIRE DIAGRAM

P1		P2
1	WHITE	6
2	BLACK	5
3	RED	4
4	GREEN	3
5	YELLOW	2
6	BLUE	1

NOTES: UNLESS OTHERWISE SPECIFIED.

1. CABLE TO BE BUNDLED AND TWIST TIED.
2. TEST CABLE FOR ALL OPENS & SHORTS.
3. PACKAGE CABLE ASSEMBLY INDIVIDUALLY IN PLASTIC BAG. PACKAGE INDIVIDUAL BAG PER LOT NUMBER QUANTITIES.
4. MARK OUTSIDE OF SHIPPING WITH CUSTOMER PART NUMBER.
5. PLACE BAR CODE LABEL ON THE OUTSIDE OF EACH SHIPPING BOX LABEL DETAIL SEE DWG 090-990-001.
6. ALL METRICAL SHOULD BE ROHS COMPLIANT.

H1663-25-ND	GLF-466-256-510-D	25.0 FT ± 4.0 IN 7.62 M ± 101.6 MM
H1663-14-ND	GLF-466-146-510-D	14.0 FT ± 3.0 IN 4.27 M ± 76.2 MM
H1663-07-ND	GLF-466-076-510-D	7.0 FT ± 2.0 IN 2.13 M ± 50.8 MM
PART NUMBER DIGI-KEY	PART NUMBER I/O INTERCONNECT	LENGTH *X*



I/O INTERCONNECT
SANTA ANA, CALIFORNIA

DR. BY: JERRY BAI
IN. CHECKED: []
REV. []
DATE: []

TITLE: 6P6C MODULAR, STANDARD STYLE, SILVER SATIN, CABLE ASSEMBLY P/N: H1663-XX-ND

PART NO: GLF-466-XX6-510-D
DWG NO: GLF-466-XX6-510-D

CUSTOMER: DIGI-KEY
REV. D

SCALE: NONE SHEET 1 OF 1

UNLESS OTHERWISE NOTED:
1) DIMENSIONS ARE IN INCHES (MILLIMETER)
2) TOLERANCES:
XXX ± 0.25 (6.35)

ITEM	QTY	MFG.	ID1 PART NO.	DESCRIPTION
2	*X*	ID1	GLF=120-610-000	MODULAR CABLE, 26 AWG (7/34) BARE COPPER, 6 CONDUCTOR, UNSHIELDED, SILVER SATIN PVC. ROHS COMPLIANT.
1	2 PCS	ID1	GLF-325-661-50X	CONNECTOR, MODULAR PLUG, 6 POSITION, 6 CONDUCTOR, 50u" Au, FLAT TYPE EXIT. ROHS COMPLIANT.

CABLE ASSEMBLY PARTS LIST