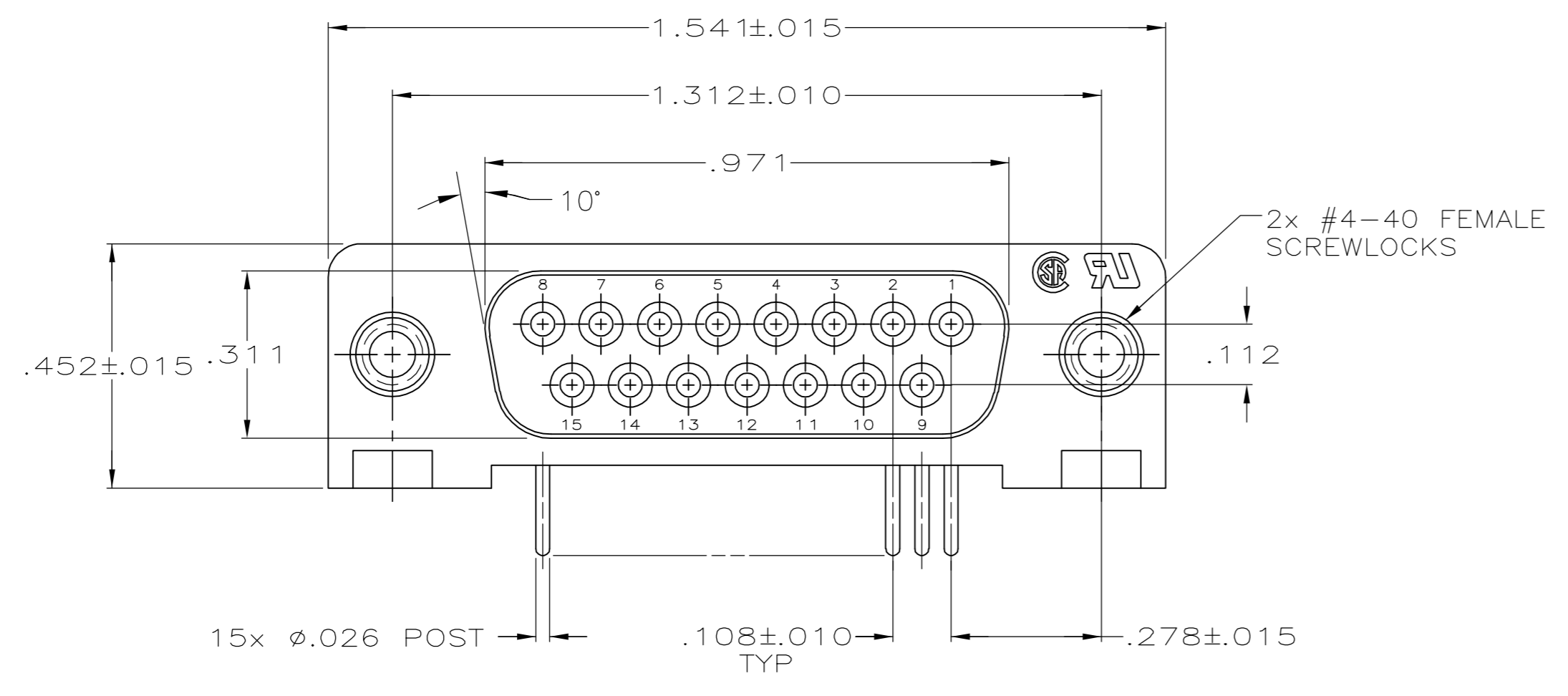
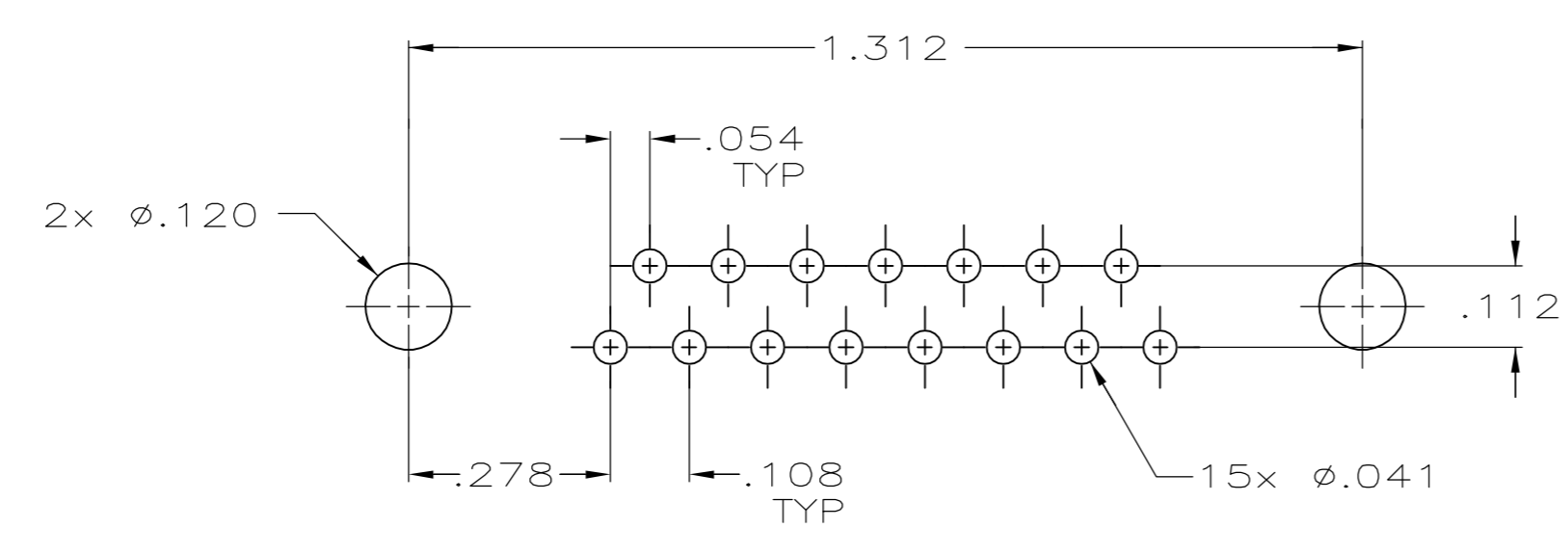
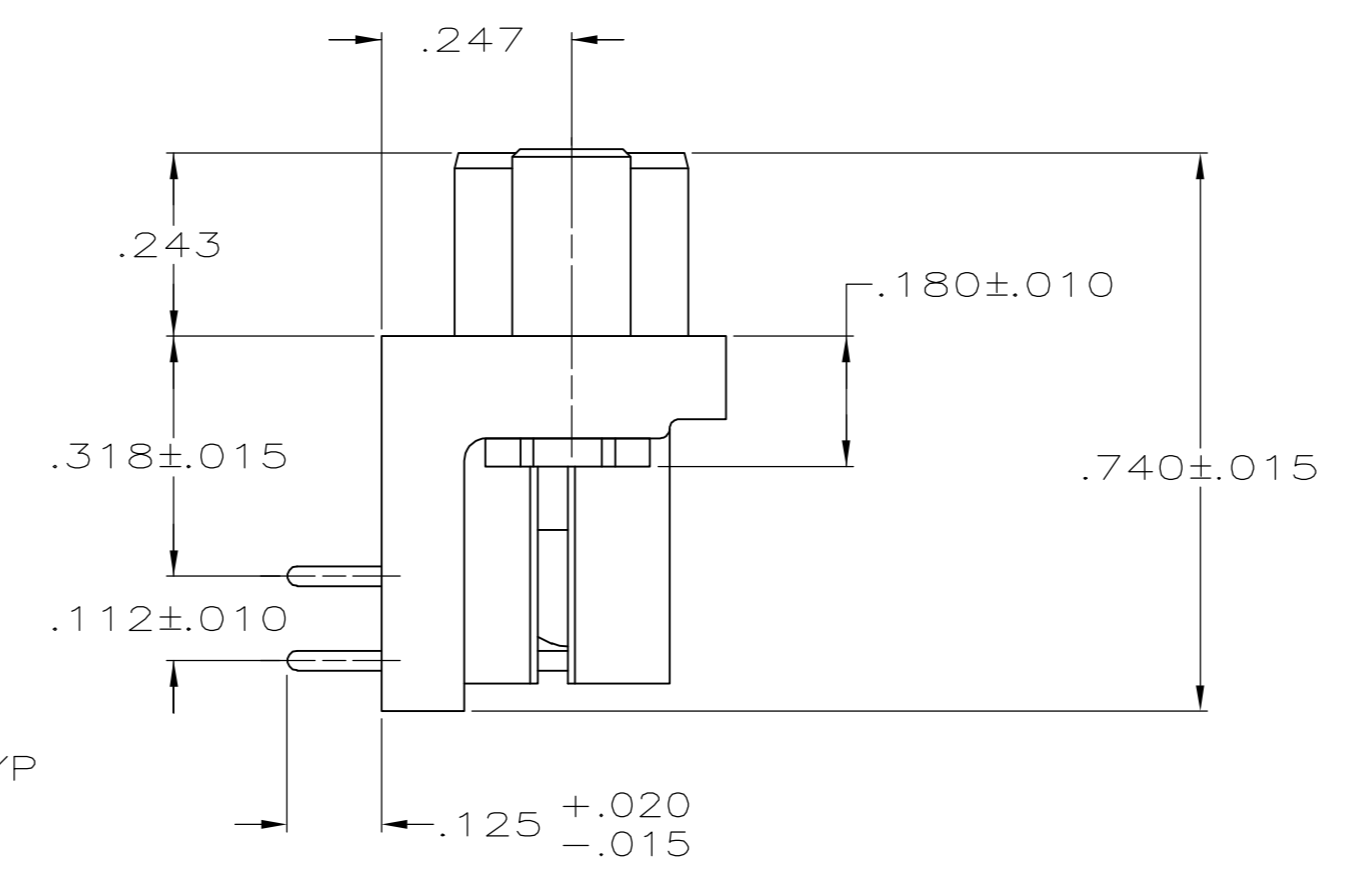
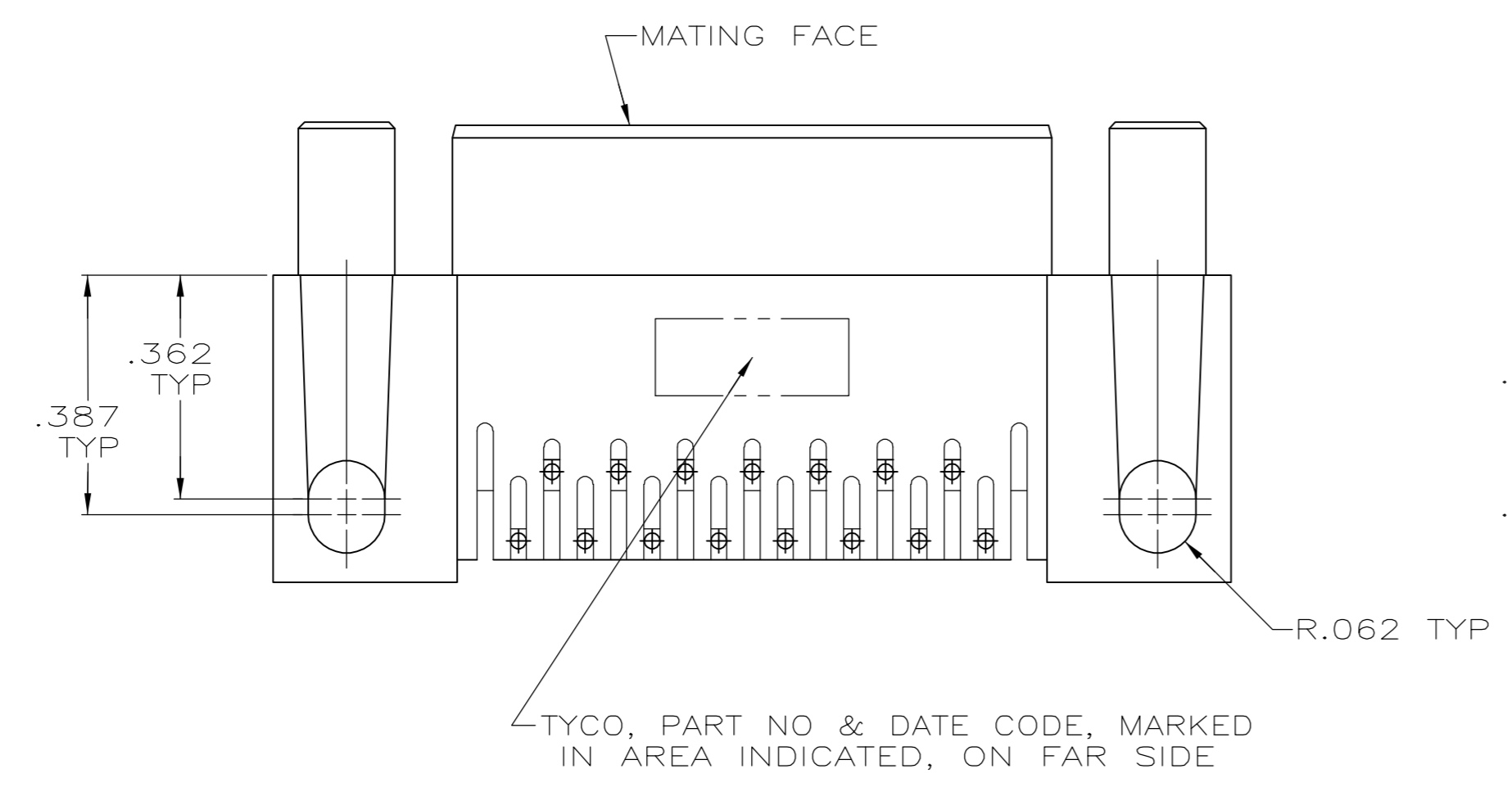


LOC		DIST		REVISIONS			
P	LTR	DESCRIPTION	DATE	DWN	APVD		
0		RELEASED PER EC 0513-0087-05	15SEP05	GP	JG		



- 1 HOUSING: FLAME RETARDANT, 94V-0 RATED, GLASS FILLED NYLON OR POLYESTER, COLOR: BLACK.
CONTACTS: PHOS BRONZE.
SCREWLOCKS: ZINC.
- 2 REFER TO APPLICATION SPEC FOR RECOMMENDED P.C. BOARD MOUNTING DIMENSIONS FOR AUTOMATIC INSERTION.
- 3 CONTACTS: PLATED WITH .000030 MIN GOLD FOR LENGTH OF .055 MIN FROM MATING END, .000100 MIN TIN ON SOLDER END, ALL OVER .000050 MIN NICKEL ON ENTIRE CONTACT.
SCREWLOCKS: CLEAR CHROMATE.



P.C. BOARD MOUNTING DIMENSIONS Δ

**COPYRIGHT 2005
 TYCO ELECTRONICS CORP
 ALL RIGHTS RESERVED**

5745396-2
 PART NUMBER

THIS DRAWING IS A CONTROLLED DOCUMENT.		DWN: G.PETERS	15SEP05	tyco Electronics	Tyco Electronics Corporation Harrisburg, PA 17105-3608	
DIMENSIONS: INCHES		CHK: S.BOLASH	15SEP05		APVD: M.WALMSLEY	15SEP05
TOLERANCES UNLESS OTHERWISE SPECIFIED:		0 PLC ± -		PRODUCT SPEC	108-40025	
1 PLC ± -		2 PLC ± -		APPLICATION SPEC	114-40015	
3 PLC ± .005		4 PLC ± -		SIZE: A1	CAGE CODE: 00779	DRAWING NO: 5745396
ANGLES ± 2		FINISH: Δ		WEIGHT: -	RESTRICTED TO: -	
MATERIAL: Δ		CUSTOMER DRAWING		SCALE: 4:1	SHEET: 1 OF 1	REV: 0