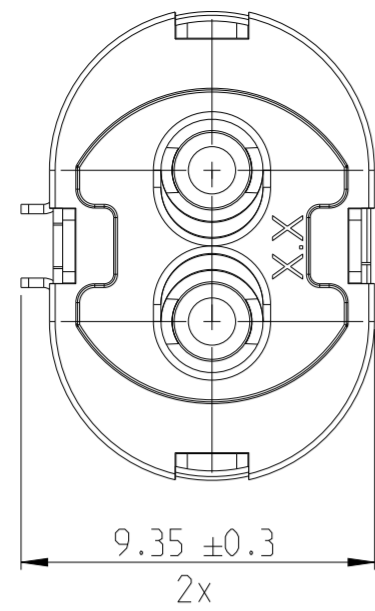


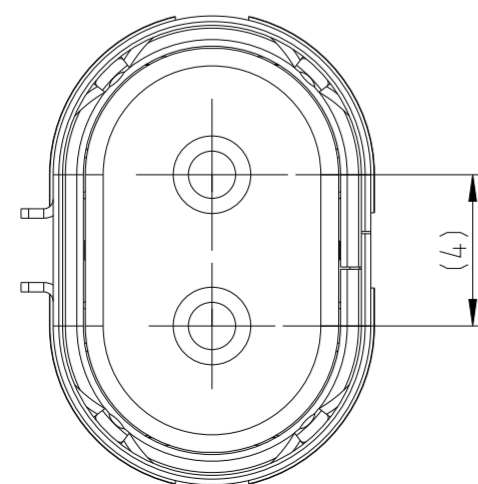
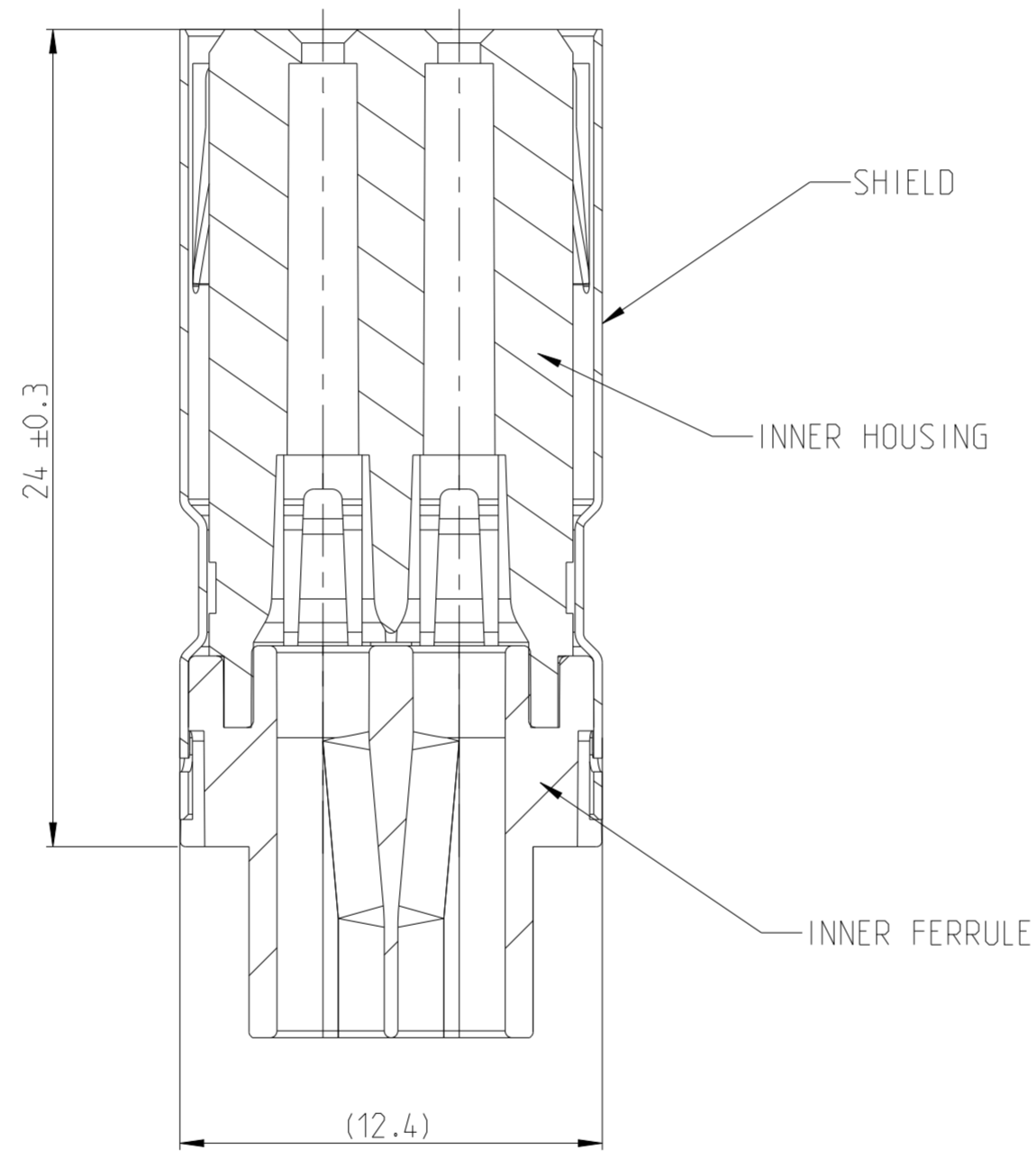
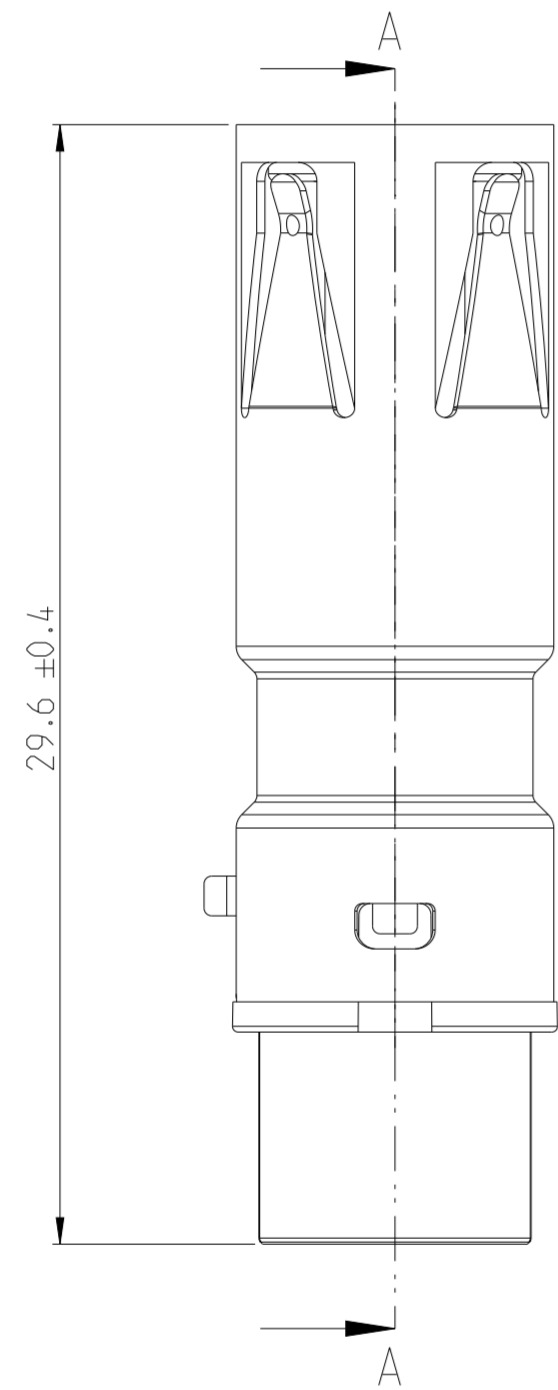
P	LTR	DESCRIPTION	DATE	DWN	APVD
A		NEW DRAWING	30MAR2020	KS	JB
A1		RELEASED PER ECN-22-166262	25JUL2022	DFS	DFS




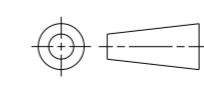
NOTES
Bemerkungen

- 1 NOTE DELETED
- 2 MATED WITH TAB HOUSING ASSY SEE DRAWING: 2367341/2370706
Passend zu siehe Stiftgehäuse Baugruppe Zeichnung: 2367341/2370706

SECTION A-A



9-2370714-1
TE ORDER-NO.
TE Bestell-Nr.

THIS DRAWING IS A CONTROLLED DOCUMENT.		DWN K. Schang 27MAR2020	 TE Connectivity	
DIMENSIONS: mm		CHK S. Helm 30MAR2020		
		APVD J. Barth 30MAR2020		NAME DT Highspeed Plug Assembly DT Highspeed Buchse Bgr.
		TOLERANCES UNLESS OTHERWISE SPECIFIED: 0 PLC ± 1 PLC ± 2 PLC ± 3 PLC ± 4 PLC ± ANGLES ± FINISH		PRODUCT SPEC 108-94825
MATERIAL	-	APPLICATION SPEC 114-94706	WEIGHT 5.6 g	SIZE A2
CUSTOMER DRAWING		CAGE CODE 100779	DRAWING NO C-2370714	SCALE 5:1
		SHEET 1 OF 1		REV A1