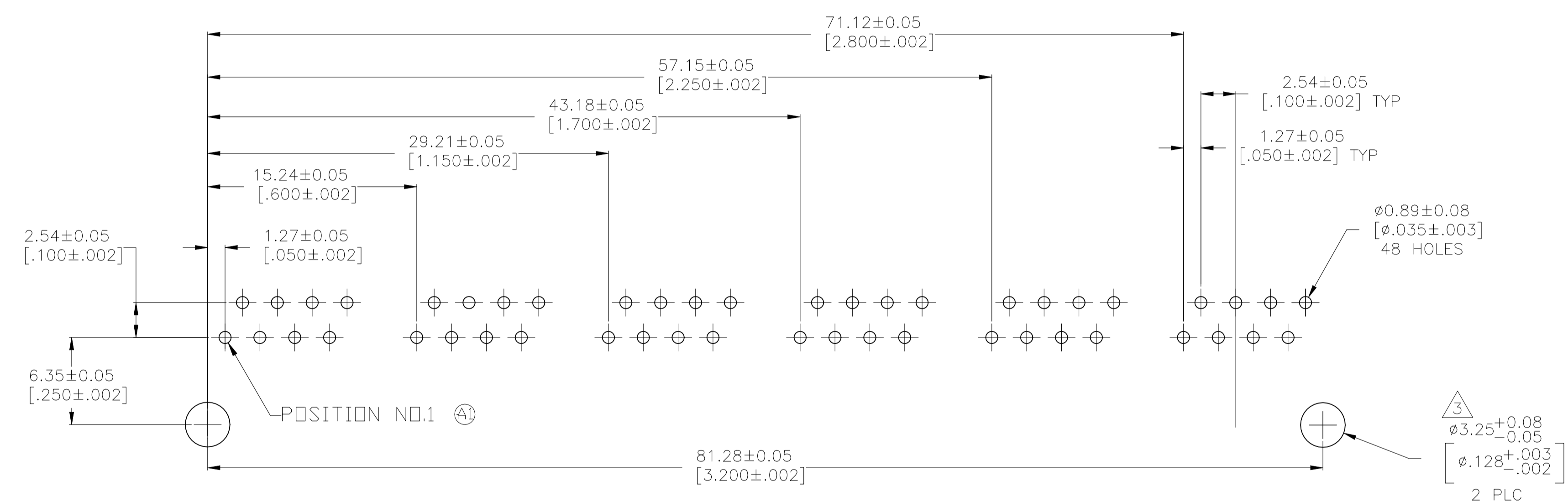
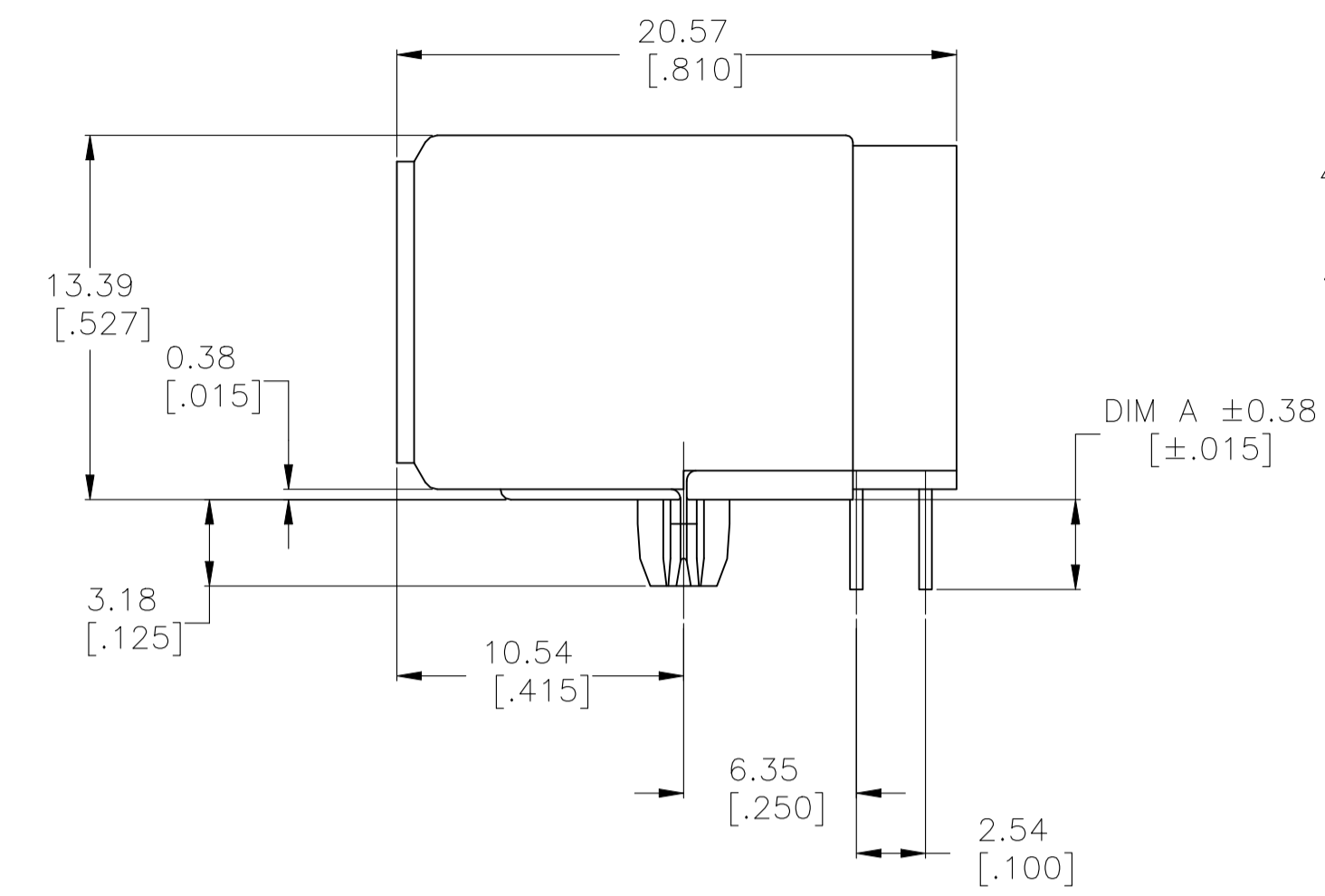
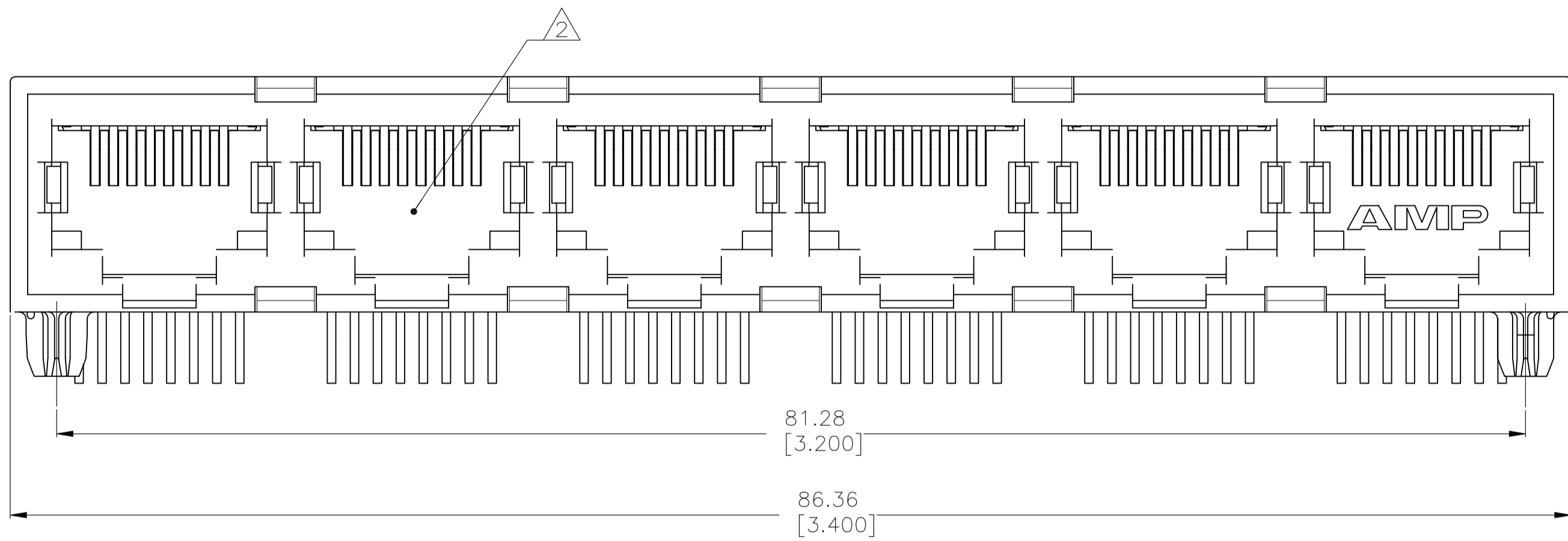
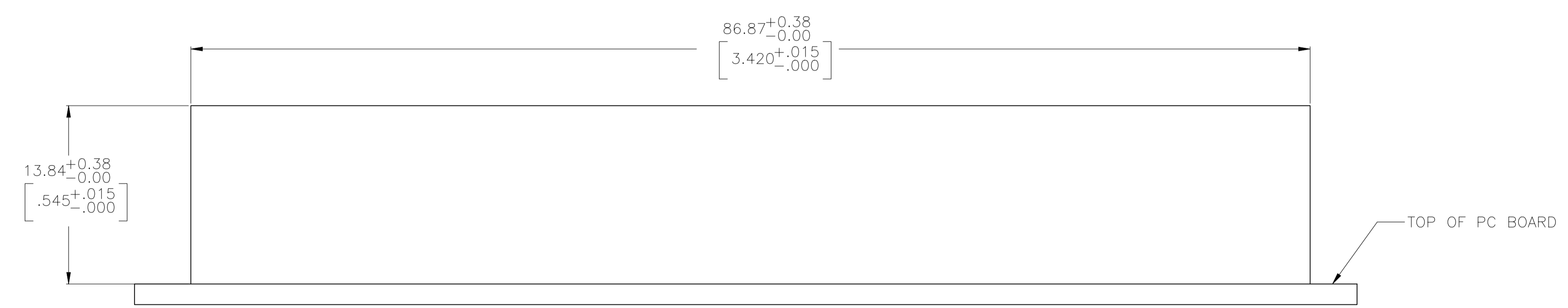


| REVISIONS | | | | | |
|-----------|---------------|-----------|----|-------|--|
| REV | DESCRIPTION | DATE | BY | APP'D | |
| A2 | ECR-19-014657 | 13DEC2020 | RR | SZ | |

- MATERIAL: HOUSING - NYLON, COLOR: BLACK, UL 94V-0. OVERMOLDED TERMINAL ARRAY - PBT, BROWN. TERMINALS - 0.33[.013] THICK PHOS BRONZE PLATED WITH 1.27um[.000050] MINIMUM HARD GOLD IN LOCALIZED AREA AND 3.81um[.000150] MINIMUM TIN IN SOLDER AREA OVER 1.27um[.000050] MINIMUM NICKEL UNDERPLATE. (A1)
- JACK CAVITY CONFORMS TO FCC RULES AND REGULATIONS, PART 68 SUBPART F.
- USE #30 DRILL BIT OR 3.25mm DRILL BIT WHEN PRODUCING THESE PCB HOLES.



SUGGESTED PC BOARD LAYOUT
COMPONENT SIDE
SEE APPLICATION SPECIFICATION



SUGGESTED PANEL CUTOUT

| | |
|-------|-------------|
| 3.05 | 1932114-2 |
| 3.56 | 1932114-1 |
| DIM A | PART NUMBER |

| | | | | |
|--|--|------------------------------|--|------------------|
| THIS DRAWING IS A CONTROLLED DOCUMENT. | | DIN D.ZHU 5JUNE2008 | TE Connectivity | |
| DIMENSIONS: mm [INCHES] | | CHK C.WANG 5JUNE2008 | NAME MODULAR JACK ASSEMBLY, 8 POSITION, RIGHT ANGLE, LOW PROFILE, 6 PORT, CATEGORY 5e | |
| TOLERANCES UNLESS OTHERWISE SPECIFIED: | | APP'D S.YAO 5JUNE2008 | PRODUCT SPEC 108-1163-2 | |
| 0. PLC ± - | | APPLICATION SPEC 114-2048 | | |
| 1. PLC ± - | | SIZE A1 | | |
| 2. PLC ± 0.25[.01] | | CAGE CODE 00779 | | |
| 3. PLC ± 0.13[.005] | | DRAWING NO 1932114 | | |
| 4. PLC ± - | | RESTRICTED TO - | | |
| ANGLES ± - | | WEIGHT 0.000000 | | |
| MATERIAL SEE NOTE 1 | | FINISH SEE NOTE 1 | | CUSTOMER DRAWING |
| | | SCALE 4:1 | | SHEET 1 of 1 |
| | | REV A2 | | |