





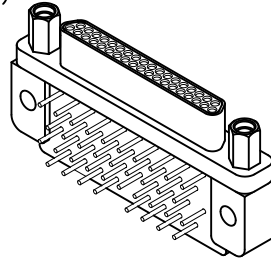
# Right Angle Boardmount Low Profile (Narrow Footprint)

.050"

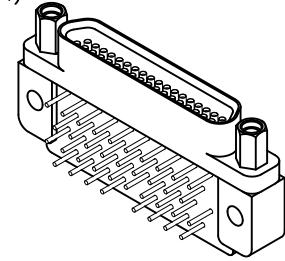
9 thru 51 Contacts

**MS, MR**

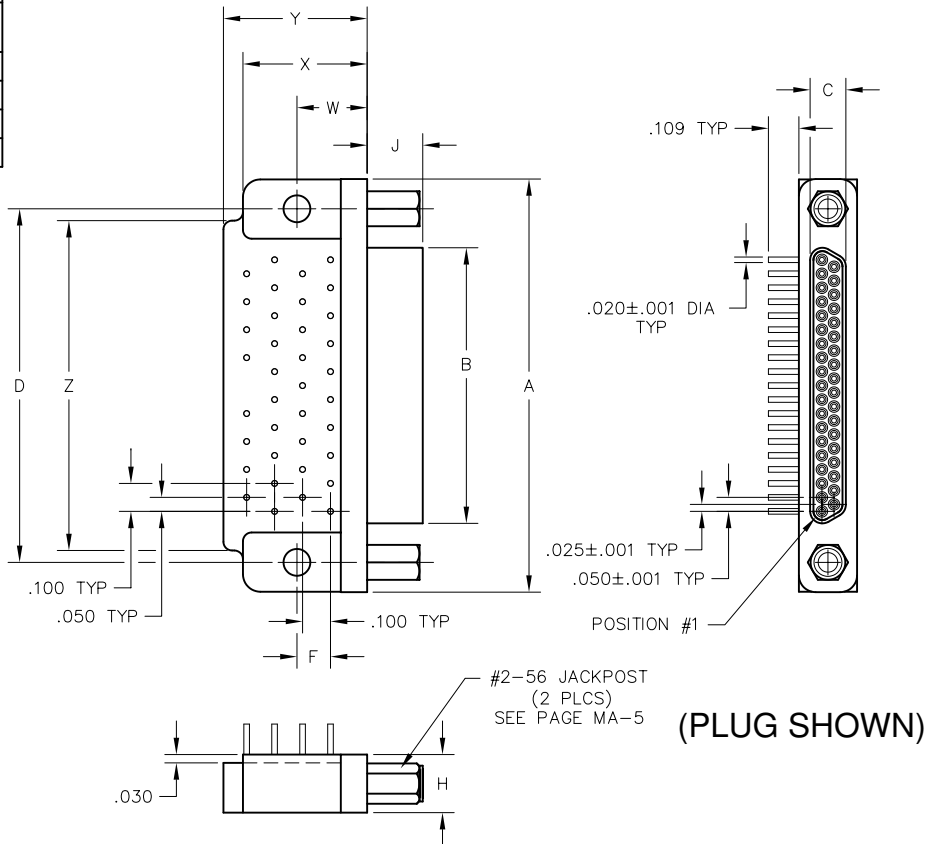
MS-253-037-325-220S (PLUG)



MS-263-037-435-220S (RCPT)



MATING MATRIX	
CONNECTOR	MATES WITH
MS-25...	MP, MQ, MR, MS receptacles
MR-25...	MP, MQ, MR, MS receptacles
MS-26..	MP, MQ, MR, MS plugs
MR-26..	MP, MQ, MR, MS plugs



DIMENSIONS																		
SIZE	CONTACT ROWS	A	B		C		D	F	H	J		W	X MAX	Y MAX	Z	HARDWARE	MOUNTING HOLE	
			PLUG MAX	RCPT MAX	PLUG MAX	RCPT MAX				PLUG	RCPT							
9	2	.778	.292	.378	.134	.218	.565	.120	.208	.199	.180	.250	.420	.420	.775	#2-56 UNC THD	#2-56 DIA OR #2-56 UNC THREADED INSERT	
15		.928	.442	.528			.715											.925
21		1.078	.592	.678			.865											1.075
25		1.178	.692	.778			.965											1.175
31		1.328	.842	.928			1.115											1.080
37		1.478	.992	1.078			1.265											1.180
51	3	1.428	.942	1.028	.177	.260	1.215	.150	.250	.300	.425	.650	1.220					