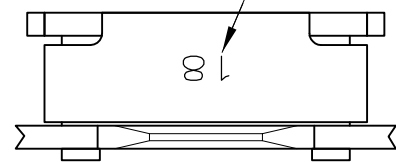


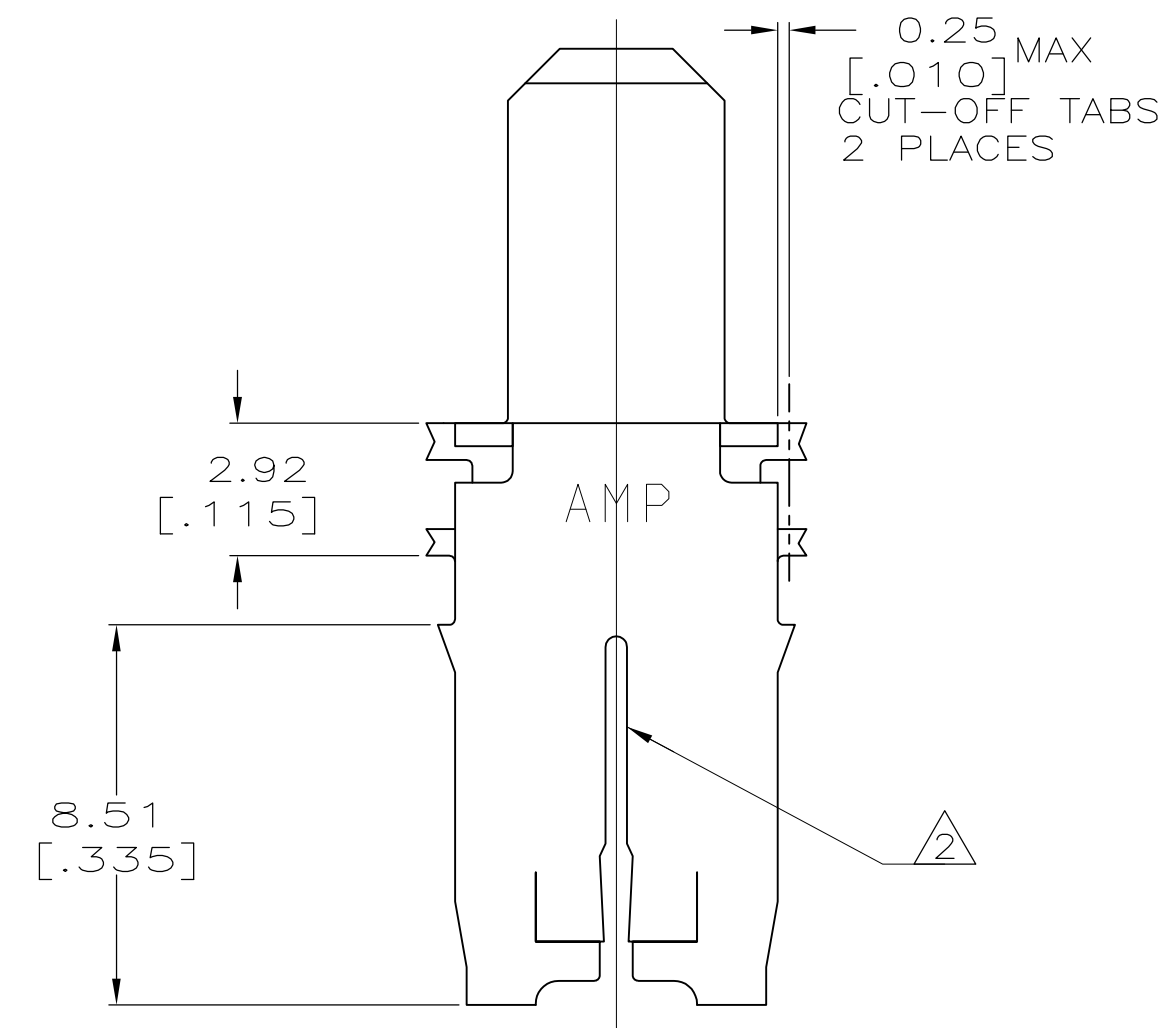
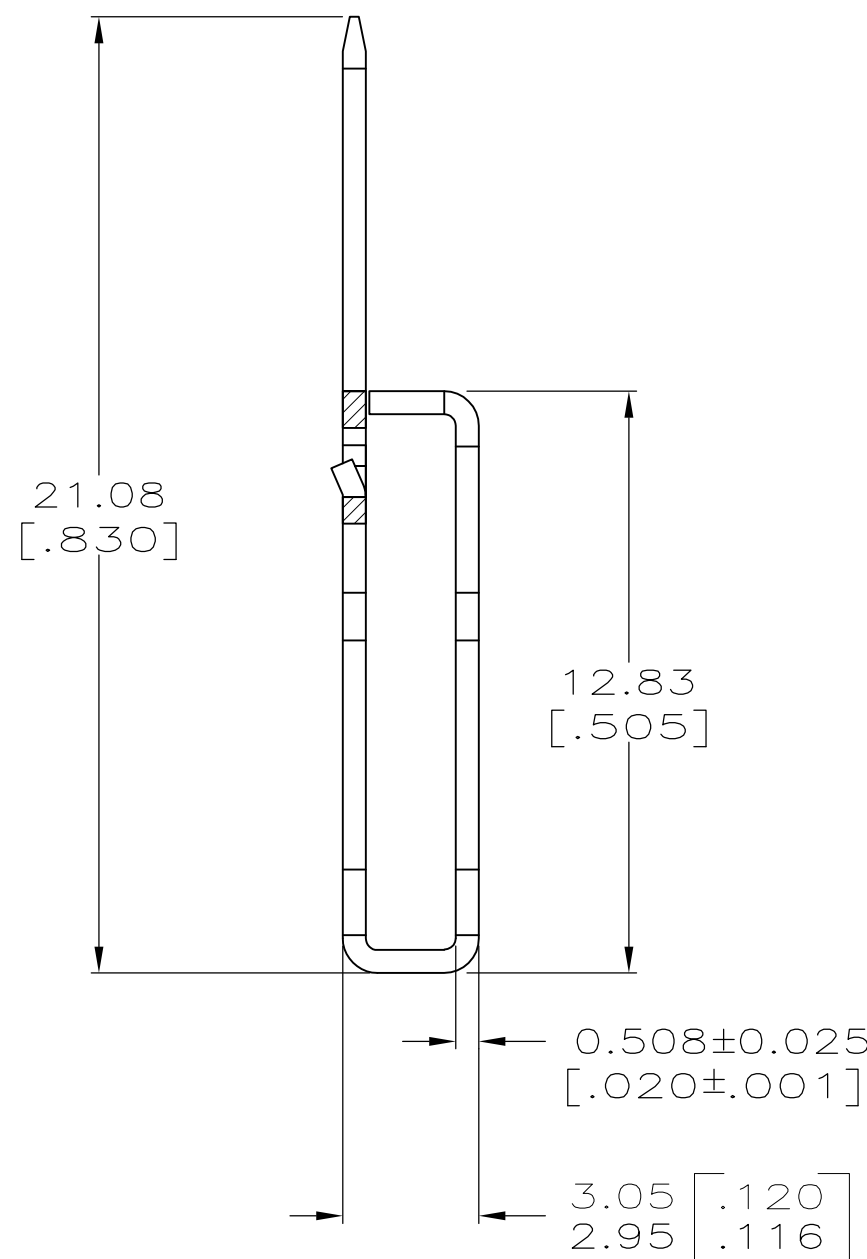
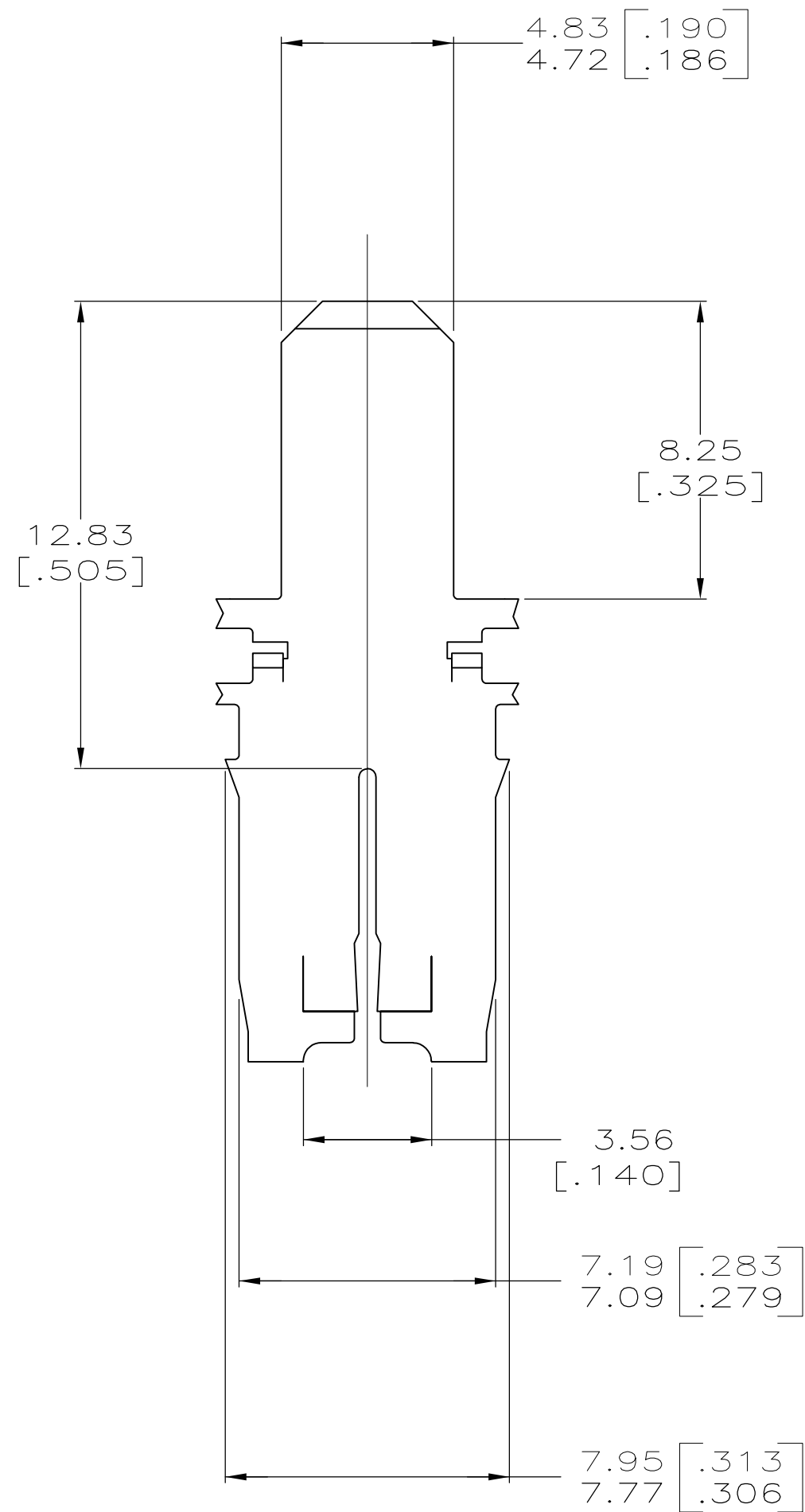
THIS DRAWING IS UNPUBLISHED. RELEASED FOR PUBLICATION .19
 © COPYRIGHT 19 BY AMP INCORPORATED. ALL RIGHTS RESERVED.

LOC	DIST	REVISIONS			
P	LTR	DESCRIPTION	DATE	DWN	APVD
AF	50	D	ECR-13-008483	08AUG13	CX DZ

IDENTIFICATION NUMBER 18 FOR MAGNET WIRE RANGE



- 1 CONTINUOUS STRIP ON REELS WITH TERMINALS LOCATED ON 8.38±0.08 [.330±.003] CENTERS.
- △2 SLOT ACCEPTS 0.64-0.81mm [#22-#20] AWG COPPER MAGNET WIRE. 2 WIRES OF THE SAME SIZE MAX PER SLOT.
- △4 TIN PLATE
- △5 REVERSE REELED.



△5 1217491-1
PART NUMBER

THIS DRAWING IS A CONTROLLED DOCUMENT.		DWN MICHAEL S. FEHER 20SEP2000	AMP Incorporated Harrisburg, PA 17105-3608	
DIMENSIONS: mm[INCHES]		CHK KURT A. RANDOLPH 21SEP2000	NAME KURT A. RANDOLPH 21SEP2000	
TOLERANCES UNLESS OTHERWISE SPECIFIED:		APVD KURT A. RANDOLPH 21SEP2000	PRODUCT SPEC 108-2012	
0 PLC ±-		APPLICATION SPEC 114-2066		
1 PLC ±-		WEIGHT -		
2 PLC ±0.25[.010]		SIZE A2		
3 PLC ±-		CAGE CODE 00779		
4 PLC ±-		DRAWING NO 1217491		
ANGLES ±-		RESTRICTED TO -		
MATERIAL 4M BRASS		SCALE 6:1		
FINISH △4		SHEET 1 OF 1		
CUSTOMER DRAWING		REV D		