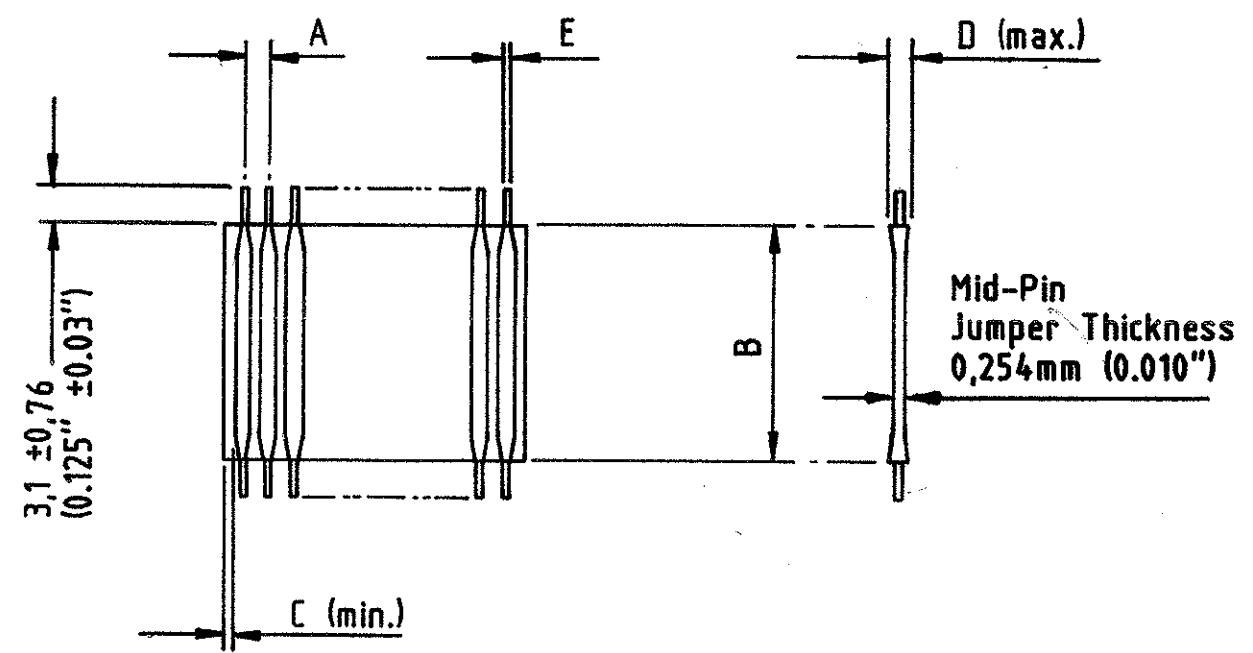




FLEXSTRIP* JUMPERS

+ CONDUCTOR PITCH "A"	MARGIN C (min.)		THICKNESS D (MAX.)		PIN DIAMETER E ±0,025 (±.001")		NUMBER OF CONDUCTORS	
	mm (inch.)	mm (inch.)	mm (inch.)	mm (inch.)	mm (inch.)	mm (inch.)	min.	max.
1	1,27 .050"	0,25 .010"	0,64 .025"	0,320 .0126"	2 -	30		
6	1,90 .075"	0,38 .015"	0,84 .033"	0,404 .0159"	2 -	30		
2	2,54 .100"	0,51 .020"	0,84 .033"	0,511 .0201"	2 -	30		
3	3,18 .125"	1,52 .060"	0,84 .033"	0,511 .0201"	2 -	25		
4	3,81 .150"	1,52 .060"	0,84 .033"	0,511 .0201"	2 -	20		
5	5,08 .200"	1,52 .060"	0,84 .033"	0,511 .0201"	2 -	15		

2/86



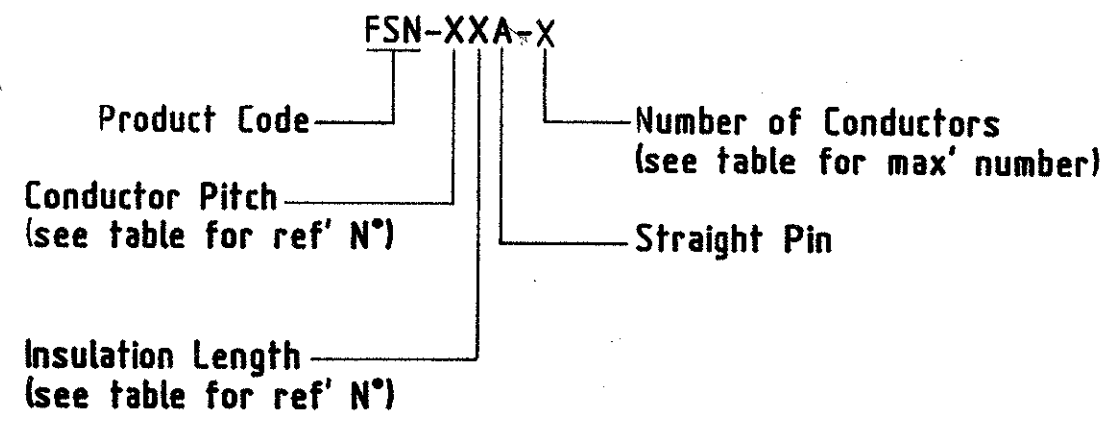
Dimensions are shown in mm (inches.)
+ Tolerance on Pitch ±0,25 (0.01") non-cumulative.

INSULATION LENGTH B ±1.57 (±0.062")		
mm	(inch)	Cat. Ref.
25.4	1	1
38.1	1½	1.5
50.8	2	2
63.5	2½	2.5
76.2	3	3
88.9	3½	3.5
101.6	4	4
114.3	4½	4.5
127	5	5
139.7	5½	5.5
152.4	6	6

PROPERTIES :-
Insulation Material - Nomex#
Temperature Rating - 105°C
Current Rating - 2 amps
U.L. Style Number - 5188

NOTES:-
* Trademark of Thomas & Betts Corporation
* Registered trademark of E.I. Du Pont de Nemours

CATALOGUE NUMBERING SYSTEM



EXAMPLE:-

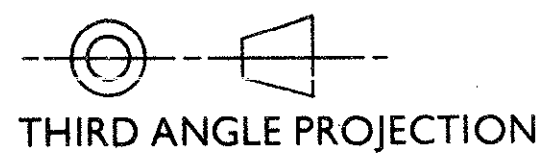
FSN -22A - 15

FSN - Flexstrip Jumper With Nomex Insulation
2 - Conductor Pitch 2.54 (0.100)
2 - Insulation Length 50.8 (2)
A - Straight Pin
15 - Number of Conductors 15

T&B THOMAS & BETTS INTERNATIONAL
EUROPEAN ENGINEERING DIVISION

DRG. N°
3S-10018

IMPERIAL DIMENSIONS SHOWN THUS []
TOLERANCES
-0000 EQUALS ± .0002
-000 EQUALS ± .003
-00 EQUALS ± .015



MATERIAL	PART NAME
HEAT TREAT	PRODUCT CODE
FINISH	TOLERANCES UNLESS OTHERWISE SPECIFIED
SCALE	FSN-23.5A-16
DR.	=
CH.	tyco C 7-1437143-1
APP.	Electronics REV 0 SH1 OF 1
REV	DESCRIPTION
DATE	BY