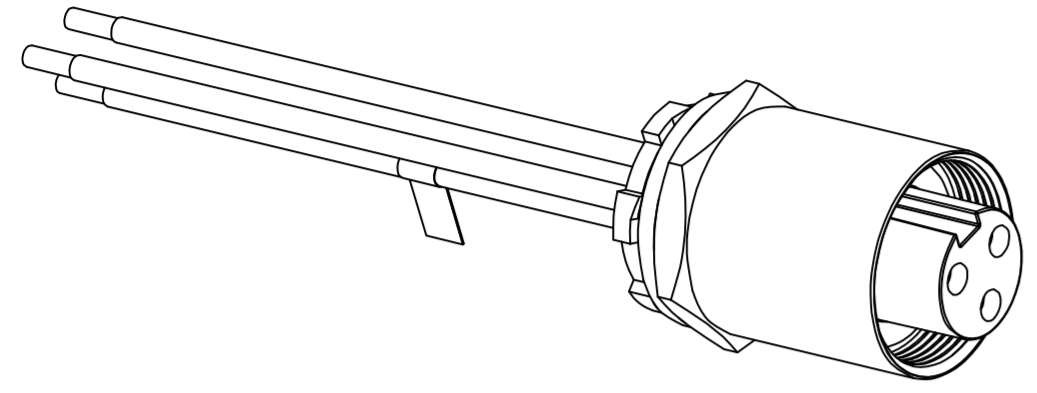


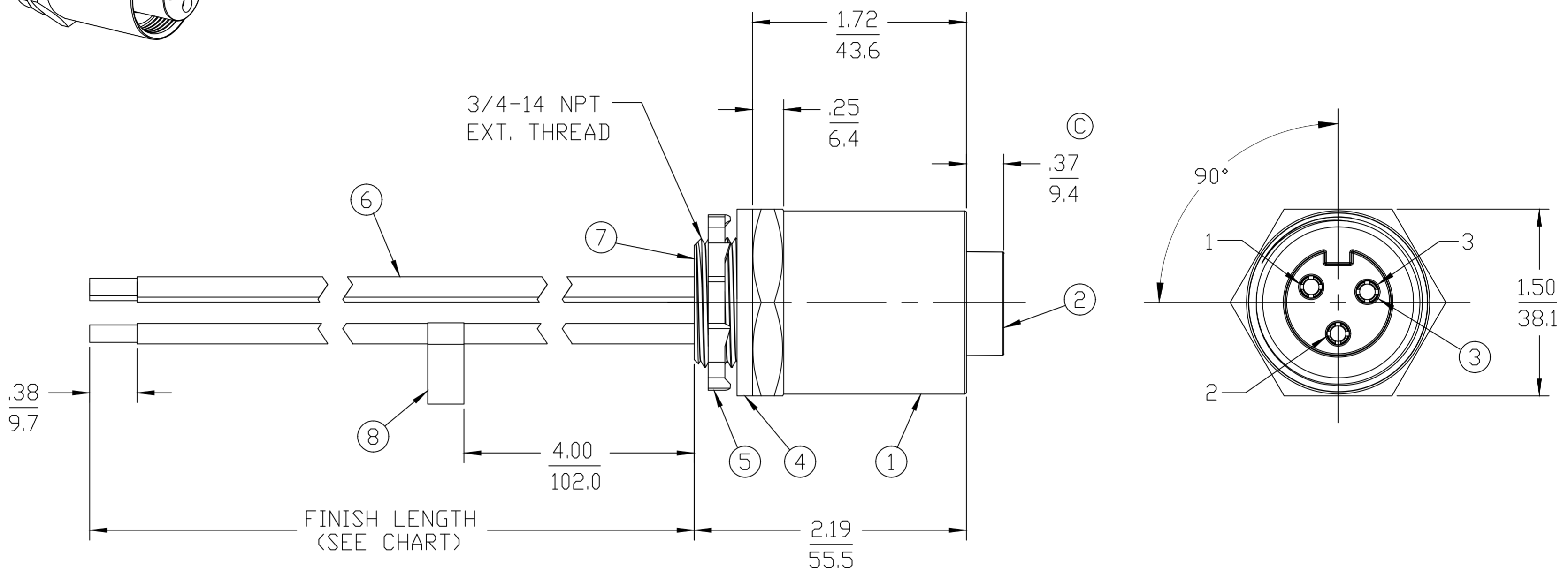
PART NUMBER	ENGINEERING NUMBER	FINISH LENGTH
1300660134	CR3C00A30M005	1.64' [0.5M]
1300660135	CR3C00A30M010	3.28' [1.0M]
1300660240	CR3C00A30M020	6.56' [2.0M]



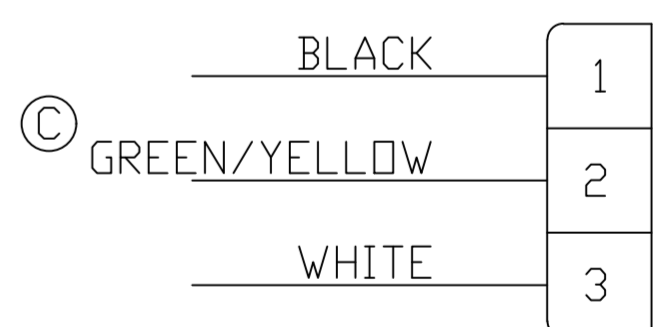
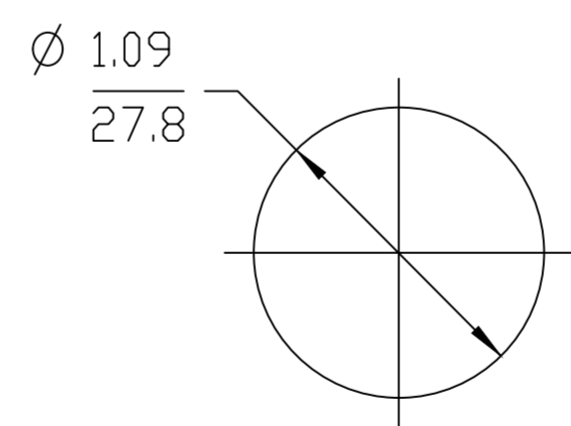
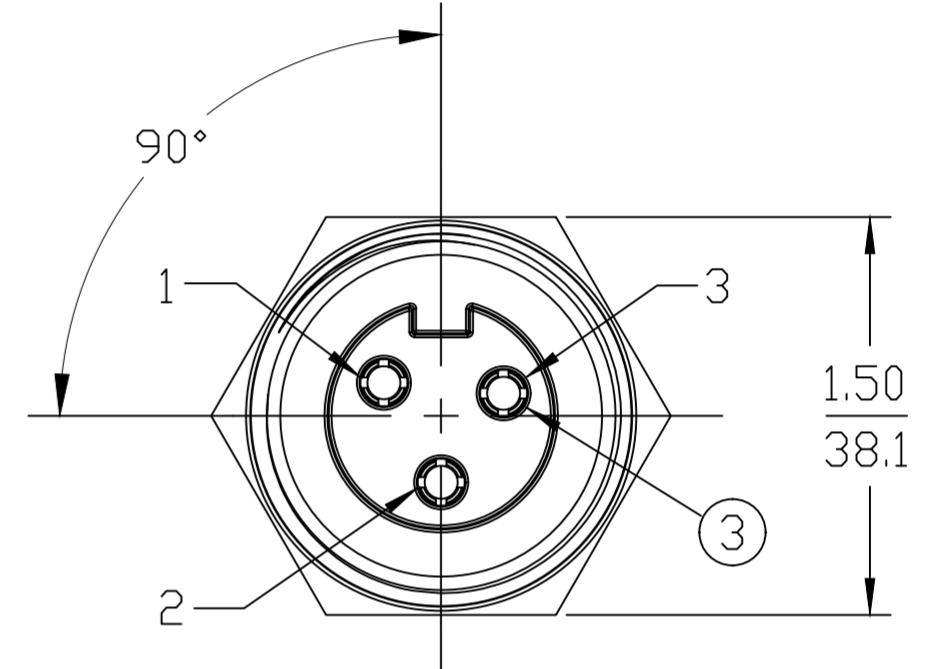
PART NUMBER LEGEND
CR3C00A30M005
LENGTH
M005 = 0.5 METER
M010 = 1 METER
M100 = 10 METER

CABLE LENGTH TOLERANCES

>.3M [1FT]:	+19mm-0 [+ .75in-0]
.3 - .9M [1 - 3FT]:	+44.5mm-0 [+1.75in-0]
.9 - 1.8M [3 - 6FT]:	+55.6mm-0 [+2.19in-0]
1.8 - 3.7M [6 - 12FT]:	+88.9mm-0 [+3.50in-0]
3.7 - 7.3M [12 - 24FT]:	+165.1mm-0 [+6.50in-0]
7.3-14.6M [24 - 48FT]:	+317.5mm-0 [+12.50in-0]
14.6 - 30.5M [48-100FT]:	+622.3mm-0 [+24.50in-0]
OVER 30M [100FT]	+2% OF FINISHED LENGTH



- NOTES:**
1. MATERIAL: AS NOTED
 2. FINISH: AS NOTED
 3. ELECTRICAL:
VOLTAGE: 3P: 630V PER IEC60664
600V PER UL2237
CURRENT: 32A
 4. TEMP RATING: -20°TO +90°C
 5. PROTECTION: IP67 (WHEN MATED)
 6. COUPLING THREAD: 1 3/8-16UN
 7. UL LISTED FILE: E258922
 8. ALL DIMS ARE FOR REFERENCE UNLESS NOTED OR DIMENSIONED OTHERWISE



8	FLAG LABEL	VINYL	YELLOW
7	POTTING	EPOXY	BLACK
6	#10-1 UL1015 WIRE	PVC JACKET	SEE WIRING DIAGRAM
5	LOCKNUT	STEEL	ZINC PLATED
4	GASKET	NEOPRENE	BLACK
3	SOCKET CONTACT	COPPER ALLOY	GOLD PLATED
2	FEMALE INSERT, 3 POLE	TPE (C)	BLACK
1	RECEPTACLE SHELL	ALUMINUM	CLEAR ANODIZED
ITEM	DESCRIPTION	MATERIAL	FINISH
DOCUMENT STATUS	P1	RELEASE DATE	2020/01/21 20:08:15

REF. THIS DRAWING SUPERSEDES COCREATE REV. A

SYMBOLS	THIS DRAWING CONTAINS INFORMATION THAT IS PROPRIETARY TO MOLEX ELECTRONIC TECHNOLOGIES, LLC AND SHOULD NOT BE USED WITHOUT WRITTEN PERMISSION	molex
▽ = 0	DIMENSION UNITS: INCH/MM SCALE: 1:1	BRAD POWER RECEPTACLE
▽ = 0	GENERAL TOLERANCES (UNLESS SPECIFIED)	3 POLE, FEMALE, SINGLE KEY, 3/4 NPT, 10 AWG
▽ = 0	4 PLACES ± .004 ± .004	PRODUCT CUSTOMER DRAWING
▽ = 0	3 PLACES ± .004 ± .004	DOCUMENT NUMBER: SD-130066-052
▽ = 0	2 PLACES ± .004 ± .004	DOC TYPE: PSD
▽ = 0	1 PLACE ± .004 ± .004	DOC PART: 001
▽ = 0	0 PLACES ± .004 ± .004	REVISION: C
▽ = 0	ANGULAR TOL ± .004 °	INITIAL REVISION:
▽ = 0	DRAFT WHERE APPLICABLE MUST REMAIN WITHIN DIMENSIONS	DRWN: RSTONE 2019/10/18
▽ = 0	THIRD ANGLE PROJECTION	CHK'D: MZIELINSKI 2020/01/10
▽ = 0	DRAWING: C-SIZE	APPR: BWOODMAN 2020/01/21
▽ = 0	SERIES: 130066	DRWN: CLYORK 2010/01/18
▽ = 0	CUSTOMER: GENERAL MARKET	APPR: DTITUS 2010/01/20
▽ = 0	SHEET NUMBER: 1 OF 1	