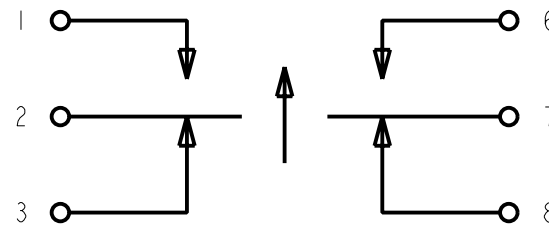


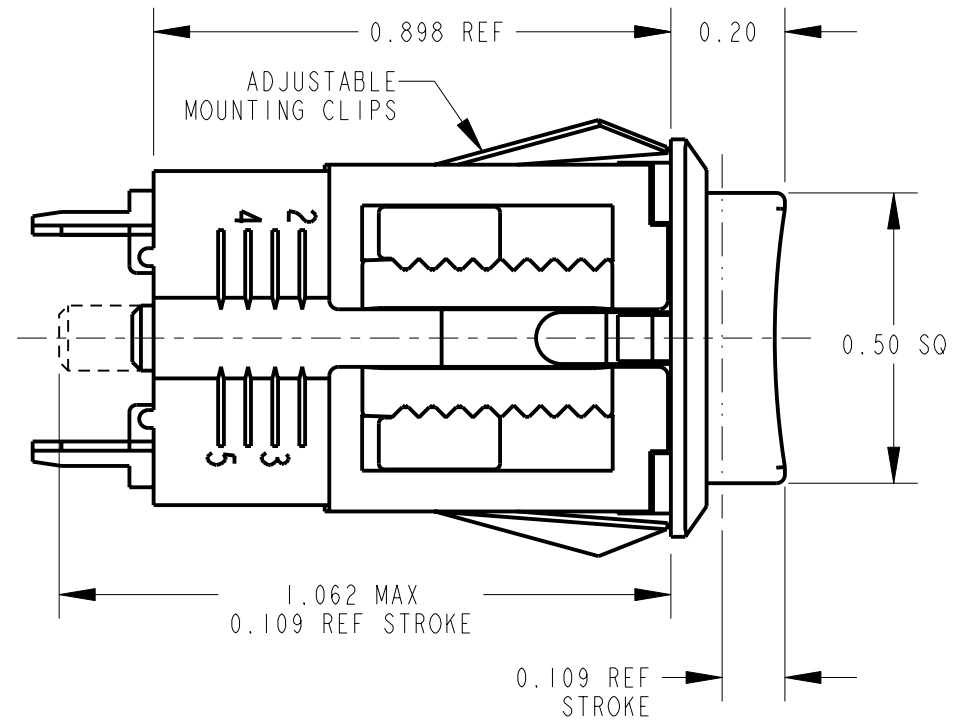
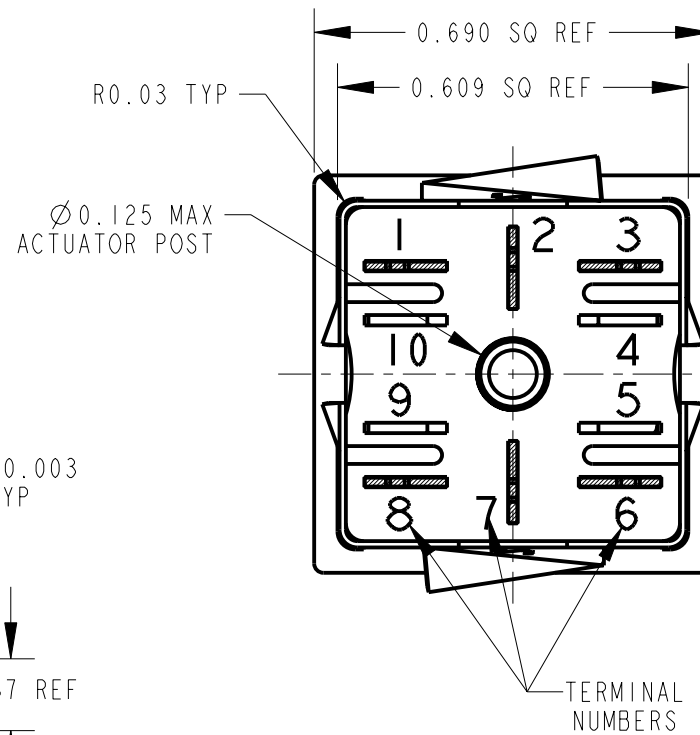
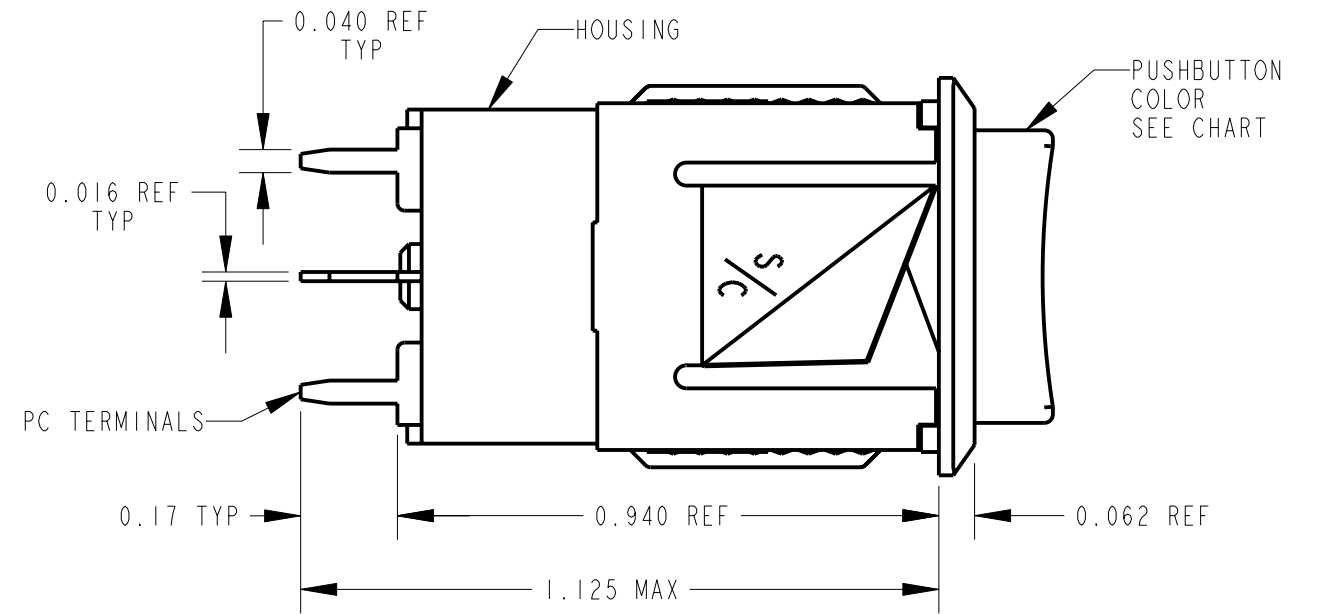
NOTES:

1. PC TERMINAL ARRANGEMENT: 1,2,3,6,7,8.
2. CONTACT RATING 0.25 AMP, 30 WATTS MAX, AC, NON - INDUCTIVE LOAD.
3. DIELECTRIC STRENGTH - 500 VOLTS, RMS. MIN.
4. SWITCH MOUNTS IN PANELS 0.047 TO 0.281 THICK.
 POSITION 1: 0.047 - 0.094
 POSITION 2: 0.094 - 0.141
 POSITION 3: 0.141 - 0.188
 POSITION 4: 0.188 - 0.234
 POSITION 5: 0.234 - 0.281
5. MATERIALS:
 HOUSING: THERMOPLASTIC, CHARCOAL GRAY
 PUSHBUTTON: THERMOPLASTIC, COLOR (SEE CHART)
 MOUNTING CLIP: COPPER ALLOY
 CONTACT SPRINGS, INTEGRAL: COPPER ALLOY, SILVER PLATED
 TERMINALS: COPPER ALLOY, SILVER PLATED
 ACTUATOR: THERMOPLASTIC, BEIGE
 SPRING: MUSIC WIRE, TINNED
 RETAINER PLATE: PAPER EPOXY LAMINATE
6. THESE PRODUCTS ARE RoHS COMPLIANT.

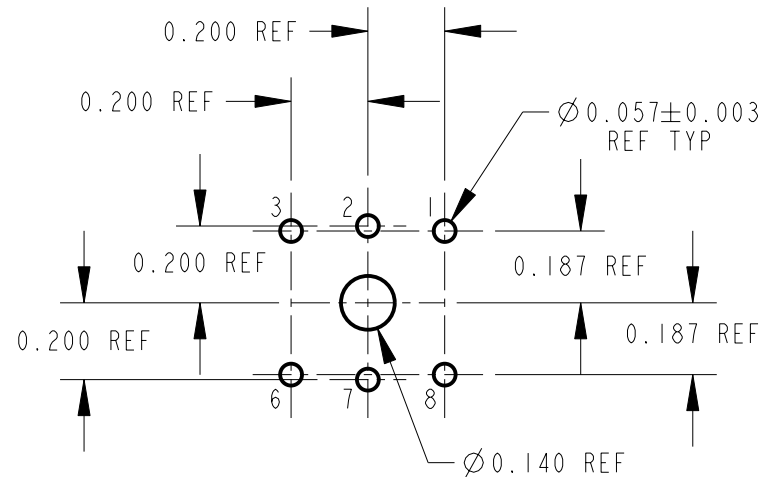
| PART NUMBER | PUSHBUTTON COLOR |
|-------------|------------------|
| BXR016PC | RED |
| BXR026PC | BLACK |
| BXR036PC | GREEN |
| BXR056PC | WHITE |



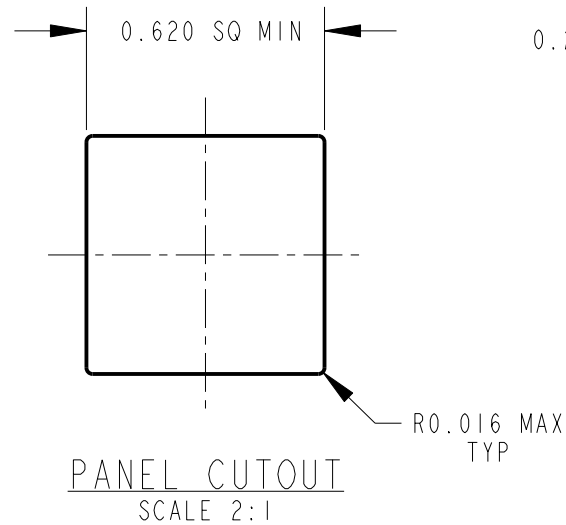
SCHEMATIC
2-C



CUSTOMER DRAWING



PC BOARD LAYOUT
COMPONENT SIDE
SCALE 2:1



| REV | ECO NUMBER | DATE | BY | APVD |
|-----|------------|---------|----|------|
| C | 27357 | 9-12-14 | TO | TJK |
| B | 24652 | 3-11-04 | JL | RB |
| A | 22495 | 3-29-01 | DA | RB |

REVISIONS

★ STAR SYMBOL DENOTES CRITICAL DIMENSION

UNLESS OTHERWISE SPECIFIED

1. ALL DIMENSIONS IN INCHES
 - TWO PLACE DECIMALS ±0.01
 - THREE PLACE DECIMALS ±0.005
 - ANGLES ±1°
 - ALL DIA. CONCENTRIC WITHIN 0.005 T.I.R.
2. FEATURES ON THE SAME CENTERLINE MUST BE ALIGNED WITHIN ±0.002
3. REMOVE ALL BURRS

DO NOT SCALE DRAWING

| | | | | |
|--|-------|-----------------|--------|--------|
| THIS DRAWING DESCRIBES A DESIGN CONSIDERED PROPRIETARY IN NATURE, DEVELOPED AND MANUFACTURED BY SWITCHCRAFT INC. AND IS RELEASED ON A CONFIDENTIAL BASIS FOR IDENTIFICATION PURPOSES ONLY. | | | | |
| SIZE | WIDTH | MULT | LBS/M | TEMPER |
| FINISH | | MATERIAL | | |
| SPEC No. | | SPEC No. | | |
| FIRST USED ON | | SCALE | | |
| | | 3:1 | | |
| DATE DRAWN | BY | CHKD | APVD | |
| 3-30-01 | DA | RB | RB | |
| | | 4-6-01 | 4-6-01 | |
| NAME | | PART No. | | REV |
| BOX SWITCH, MOMENTARY PC TERMINALS, RoHS | | BXR0_6PC SERIES | | C |

Switchcraft

SHEET | OF |