

4

3

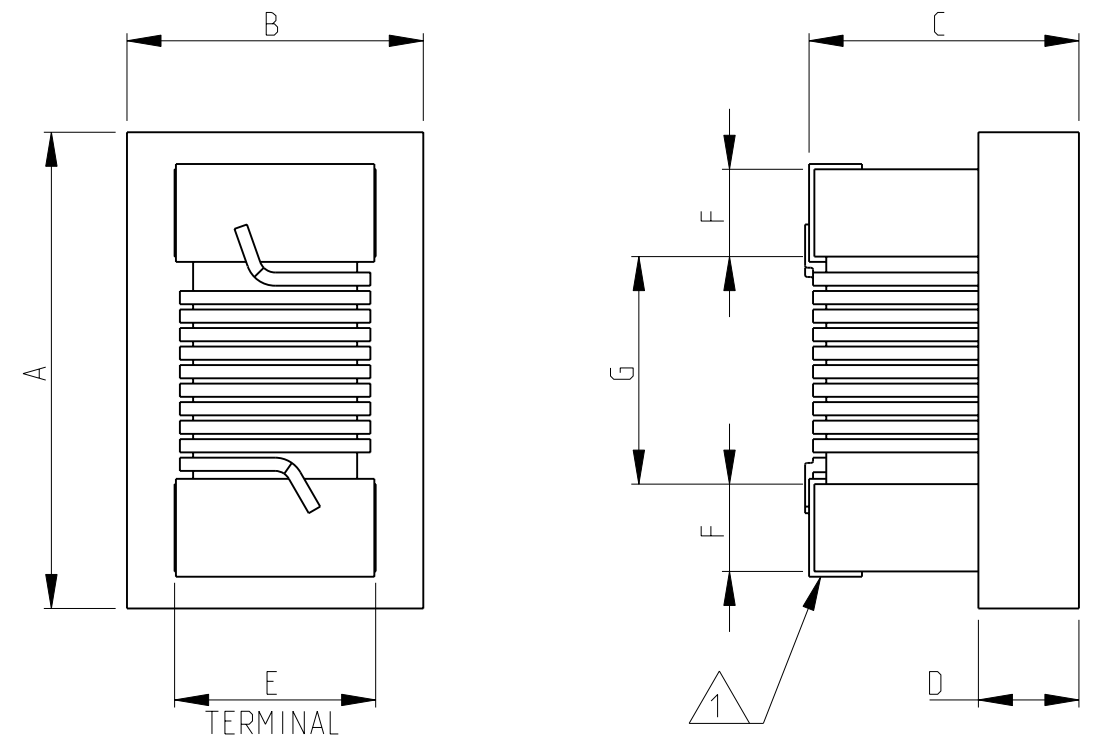
2

1

THIS DRAWING IS UNPUBLISHED. RELEASED FOR PUBLICATION 2009
 © COPYRIGHT 2009 ALL RIGHTS RESERVED.

LOC	DIST	REVISIONS				
P	LTR	DESCRIPTION	DATE	DWN	APVD	
E	B	BA1	REVISED PER ECO-11-005150	29MAR2011	RK HMR	

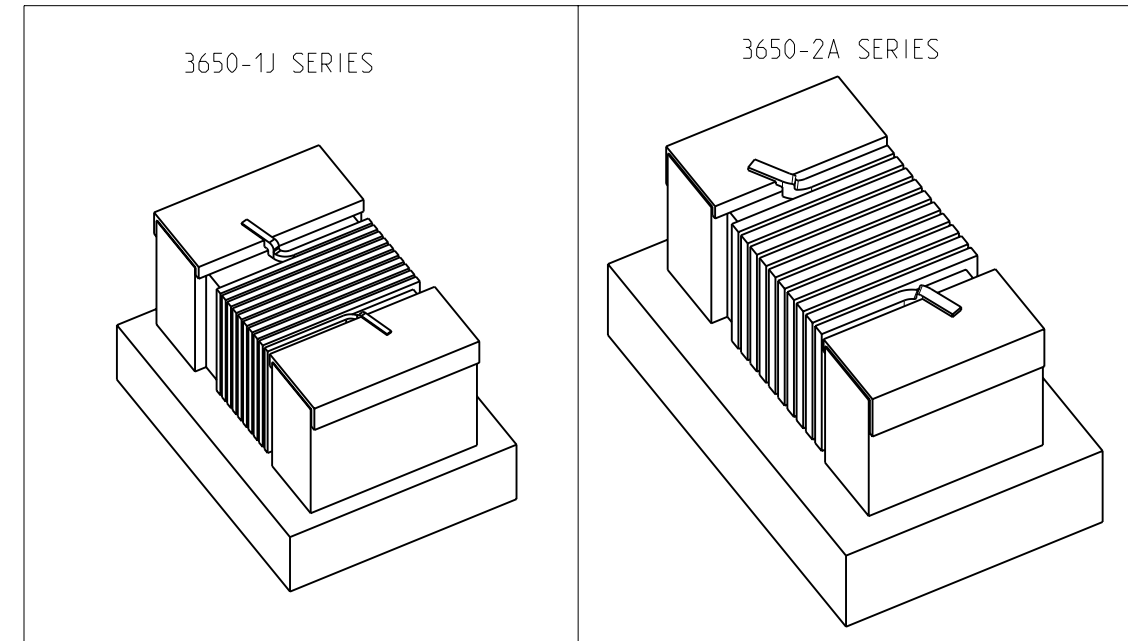
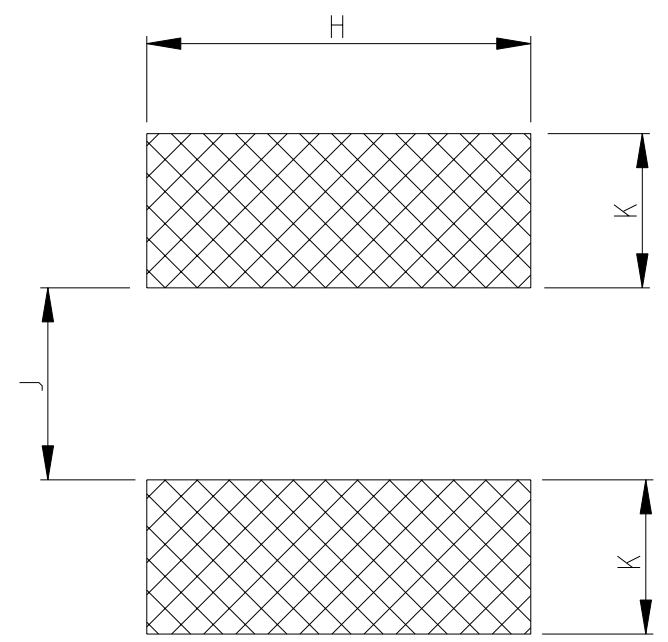
SERIES 3650-1J, 3650-2A AS SHOWN




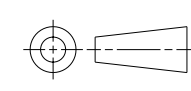
- 1 TERMINAL WRAPAROUND APPROX 0.007" (0.18mm) BOTH ENDS
- 2 AVAILABLE IN 2 DIFFERENT SERIES
- 3 FOR FURTHER INFORMATION SEE DATA SHEET FOR 3650 SERIES-LOW INDUCTANCE, HIGH FREQUENCY CHIP INDUCTOR

RoHS Compliant

RECOMMENDED LAND PATTERN FOR 3650-2A, 3650-1J SERIES



	A Max.	B Max.	C Max.	D ref	E	F	G	H	K	J
3650-1J	1.80	1.12	1.02	0.38	0.76	0.33	0.86	1.02	0.64	0.64
3650-2A	2.29	1.73	1.52	0.51	1.27	0.51	1.02	1.78	1.02	0.76
SERIES	A Max.	B Max.	C Max.	D ref	E	F	G	H	K	J

THIS DRAWING IS A CONTROLLED DOCUMENT.		DWN SUBHASH.M 03-AUG-09	 TE Connectivity	
DIMENSIONS: mm		CHK ALLAN.P 03-AUG-09		
		APVD STEPHEN.P 03-AUG-09		
TOLERANCES UNLESS OTHERWISE SPECIFIED:		PRODUCT SPEC	NAME	
0 PLC ± 0.2	1 PLC ± 0.1	APPLICATION SPEC	LOW INDUCTANCE, HIGH FREQUENCY CHIP INDUCTOR SERIES 3650	
2 PLC ± -	3 PLC ± -	WEIGHT	SIZE A3	CAGE CODE 00779
4 PLC ± -	ANGLES ± 5°	FINISH -	DRAWING NO C= 1624113	RESTRICTED TO -
MATERIAL -	FINISH -	CUSTOMER DRAWING	SCALE NTS	SHEET 1 OF 1
				REV BA1