

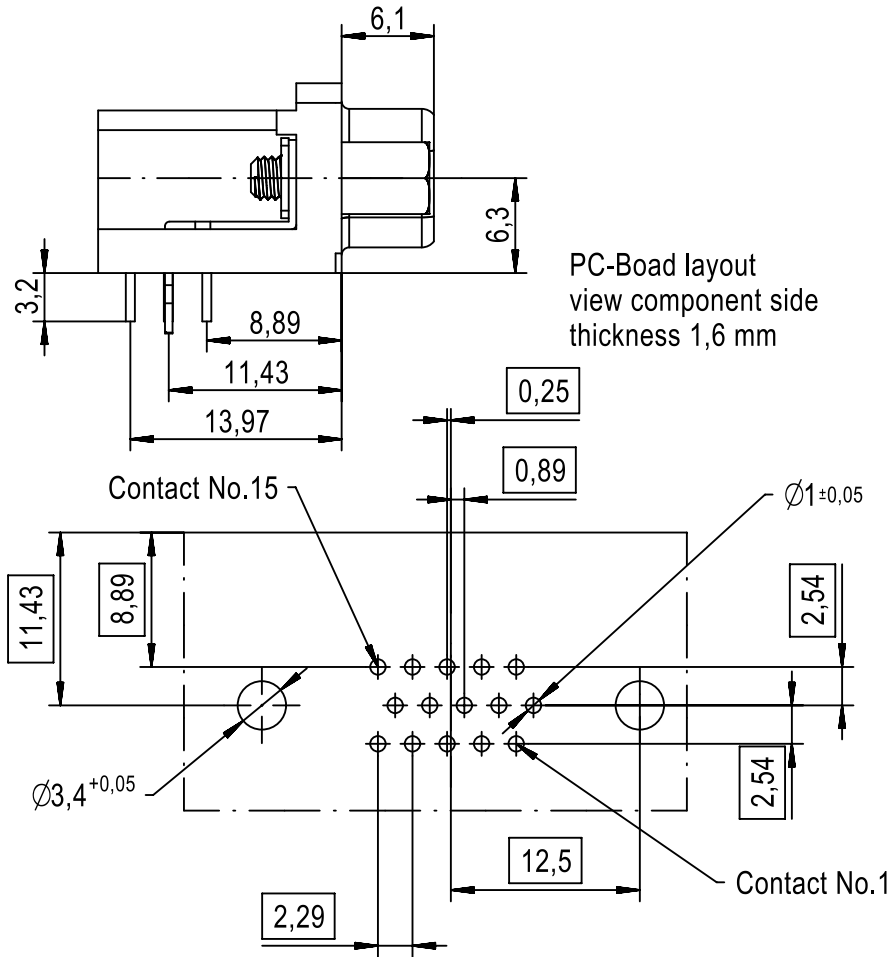
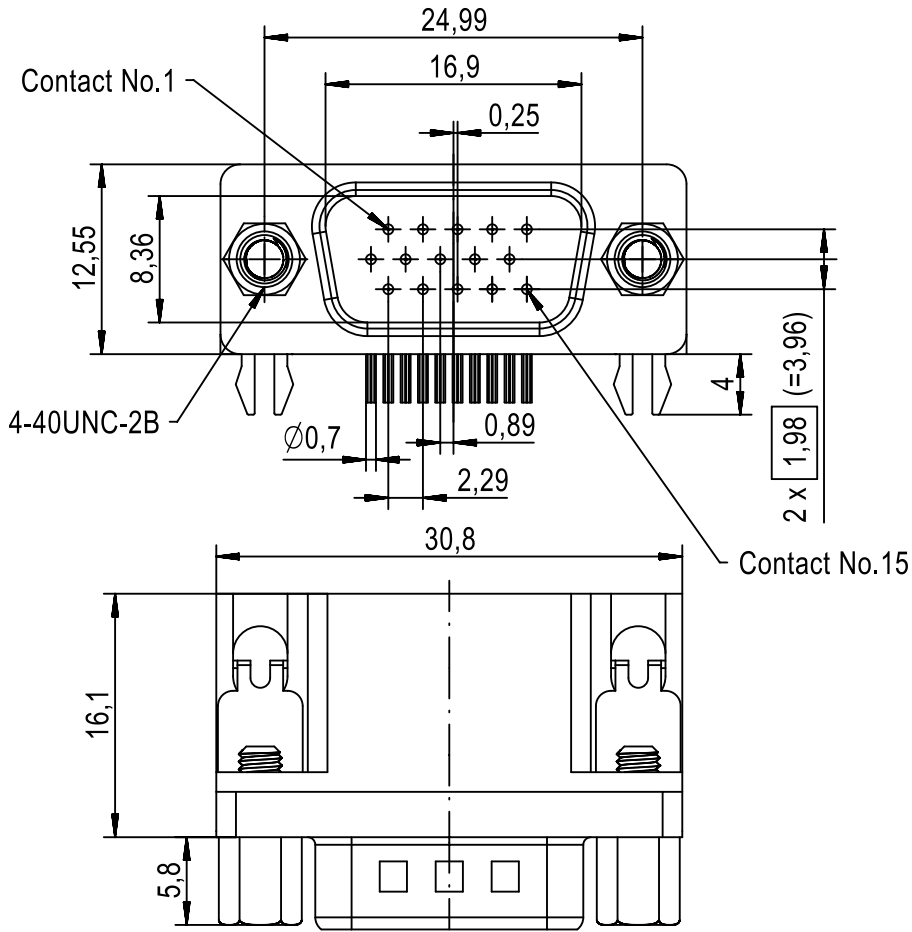
1 2 3 4 5 6

A

B


C

D



PC-Board layout
view component side
thickness 1,6 mm

09561625813	S4
09561627813	PL3
Part number	Performance level

	All Dimensions in mm Original Size DIN A4		Scale 2:1	Free size tol.		Ref.	
	All rights reserved Department EC PD - FR		Created by DOUGE	Inspected by BAGDIKIAN	Standardisation HOFFMANN	Date 2013-10-25	State Final Release
HARTING Electronics GmbH D-32339 Espelkamp		Title D-Sub HD 15P male angled screw locks				Doc-Key / ECM-Nr. 100510352/UGD/001/D 500000065862	
		Type TB	Number 0956162X813			Rev. D	Page 1/1