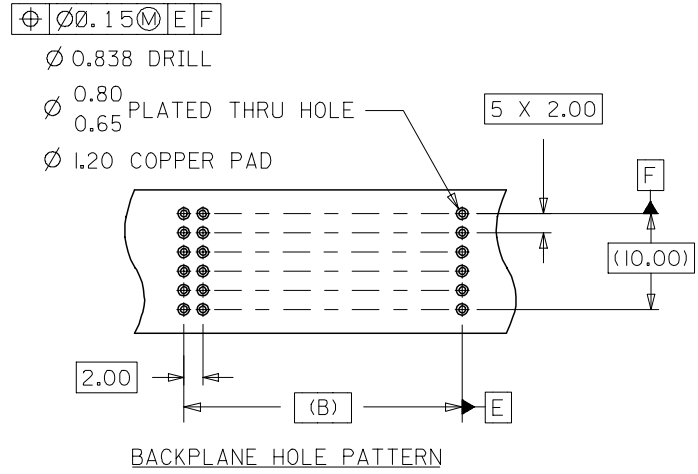


- NOTES:
1. MATERIALS: HOUSING-LIQUID CRYSTAL POLYMER (LCP), GLASS-FILLED UL 94V-0, COLOR: BLACK, TERMINAL: PHOSPHOR BRONZE
 2. FINISH: SELECTIVE GOLD (AU) IN CONTACT AREA, 0.76 MICROMETER MINIMUM THICKNESS; SELECTIVE TIN (Sn) ON TAILS, 0.38 MICROMETER MINIMUM THICKNESS; NICKEL (Ni) UNDERPLATE OVERALL.
 3. THIS PART CONFORMS TO MOLEX PRODUCT SPECIFICATION: PS-73780-999.
 4. DIMENSIONS ARE IN MILLIMETERS
 5. RECOMMENDED PCB THICKNESS: 2.50 MINIMUM
 6. PACKAGE PER PK-70837-0870, PK-70873-0871, OR PK-70873-00875
 7. PART MARKED WITH PART NUMBER AND DATE CODE APPROXIMATELY WHERE SHOWN.



ASSEMBLY P/N	TOTAL NUMBER OF SIGNAL CONTACTS	DIM "A"	DIM "B"	DIM "H"
73769-0109	72	23.84	22.00	15.05
73769-0209	72	23.84	22.00	6.05
73769-0309	72	23.84	22.00	10.05
73769-1109	144	47.84	46.00	15.05
73769-1209	144	47.84	46.00	6.05
73769-1309	144	47.84	46.00	10.05

INITIAL RELEASE	QUALITY SYMBOLS
EC NO: UCP2005-2847	▽=0
DRWN:MIBARRA 2005/07/25	▽=0
CHKD:BSMART 2005/07/26	
APPR:SMILLER 2005/07/27	
DESCRIPTION	
REV	

GENERAL TOLERANCES (UNLESS SPECIFIED)	
mm	INCH
4 PLACES ± ---	± ---
3 PLACES ± ---	± ---
2 PLACES ± 0.05	± ---
1 PLACE ± 0.10	± ---
ANGULAR ±1/2°	
DRAFT WHERE APPLICABLE MUST REMAIN WITHIN DIMENSIONS	

DIMENSION STYLE	
MM ONLY	
DRAWN BY	DATE
MIBARRA	05/07/06
CHECKED BY	DATE
BSMART	05/07/06
APPROVED BY	DATE
SMILLER	05/07/06
MATERIAL NO.	DOCUMENT NO.
SEE TABLE	SD-73769-002
SIZE	
B	

SCALE	DESIGN UNITS	THIRD ANGLE PROJECTION
2:1	METRIC	
TITLE		
SALES ASSY HDM BACKPLANE STACKING MODULE OPEN END OPTION PRESSFIT		
MOLEX INCORPORATED		
DOCUMENT NO.		SHEET NO.
SD-73769-002		1 OF 1
THIS DRAWING CONTAINS INFORMATION THAT IS PROPRIETARY TO MOLEX INCORPORATED AND SHOULD NOT BE USED WITHOUT WRITTEN PERMISSION		