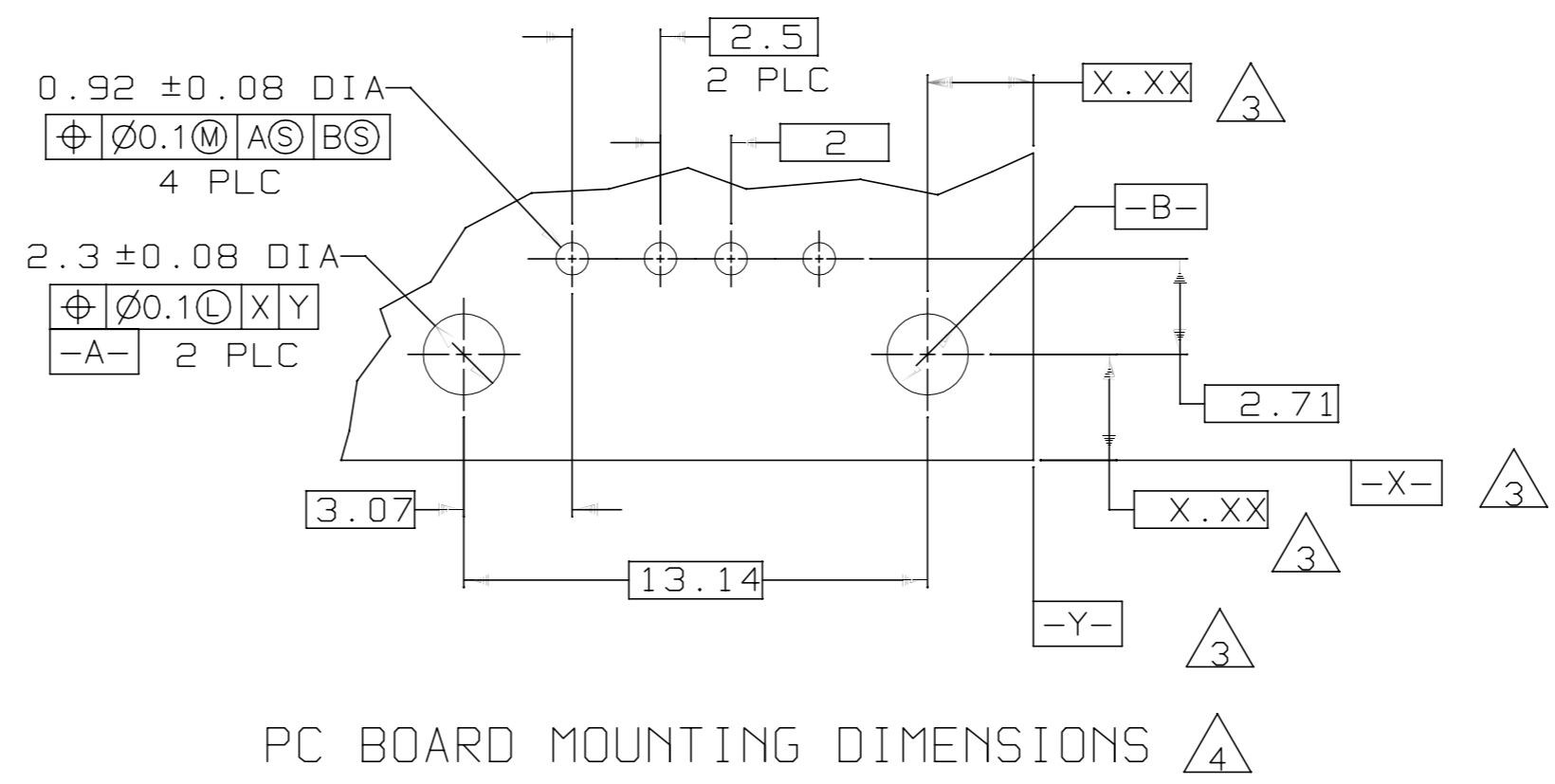
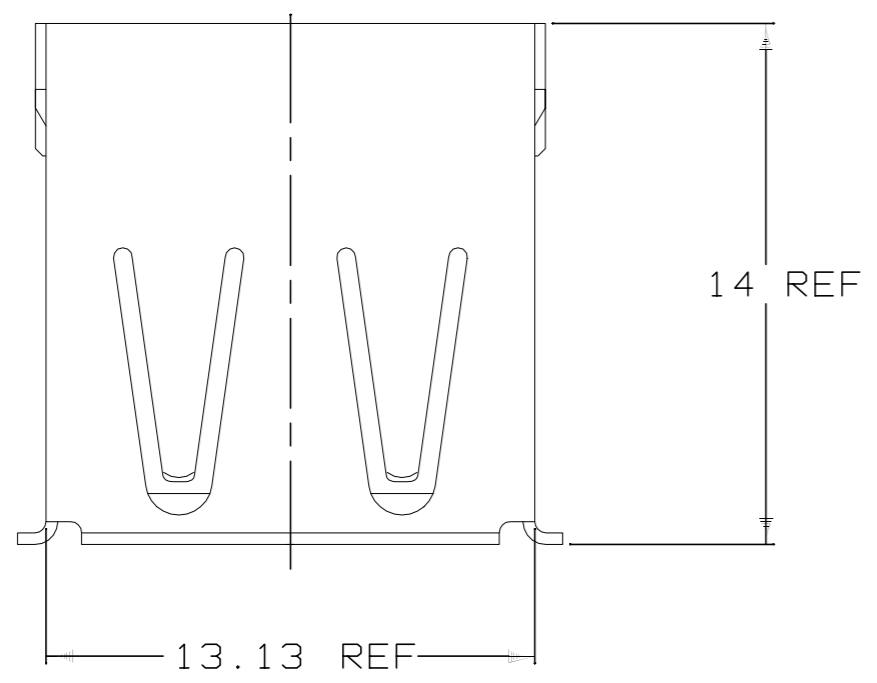
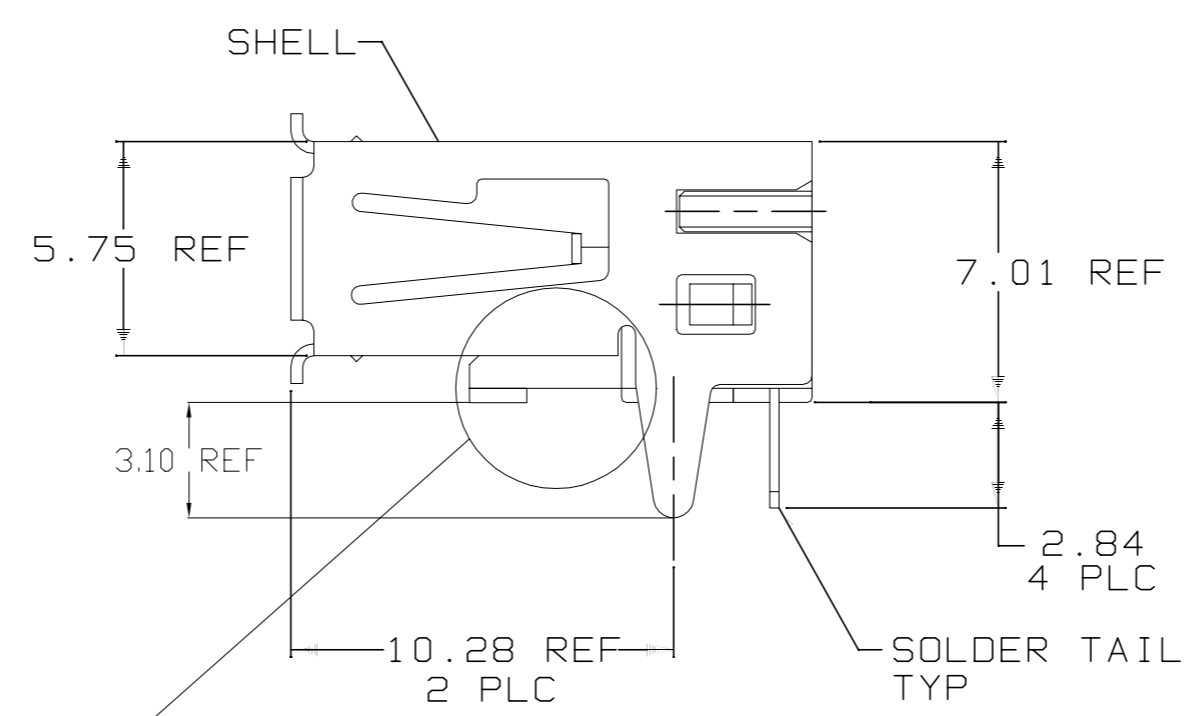
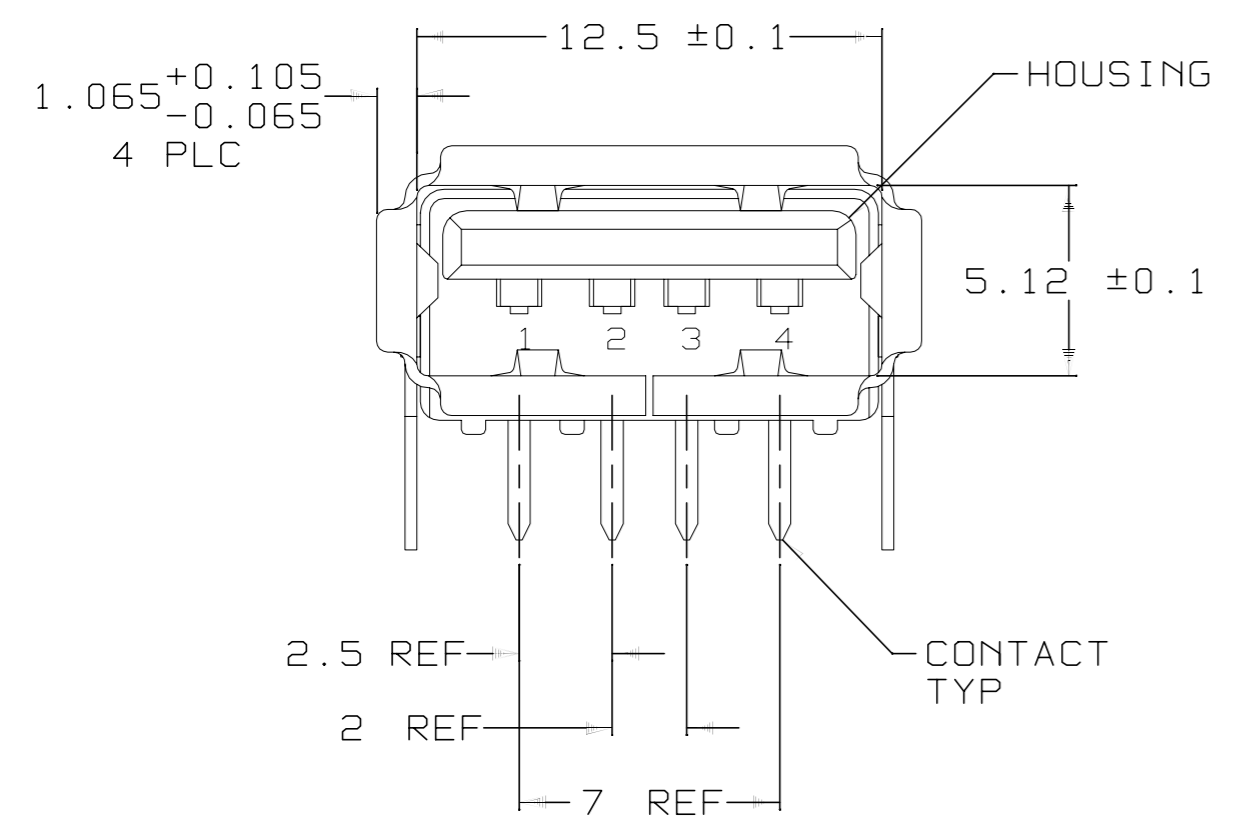


REVISIONS					
P	LTR	DESCRIPTION	DATE	DWN	APVD
B		REVISED PER ECN-21-127628	28OCT2021	AK	SZ

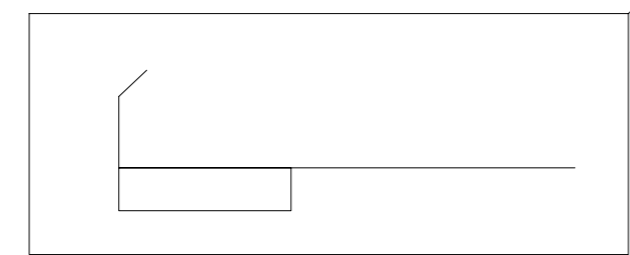


PC BOARD MOUNTING DIMENSIONS



OBSOLETE

- 1 MATERIAL:
SHELL & CONTACTS- COPPER ALLOY.
HOUSING- UL 94V-0 RATED, THERMOPLASTIC, COLOR SEE TABLE.
- 2 PLATING:
CONTACTS- 0.076um MINIMUM GOLD OVER 0.76um MINIMUM PALLADIUM-NICKEL ON MATING AREA.
3.8um MINIMUM MATTE TIN ON SOLDER TAILS.
BOTH OVER 1.27um MINIMUM NICKEL.
CONTACT ALTERNATE PLATING: 0.76um MIN GOLD ON MATING AREA, 3.80um MIN MATTE TIN ON SOLDER TAILS, BOTH OVER 1.27um MIN NICKEL.
SHELL: MINIMUM BRIGHT TIN OVER MIN NICKEL.
- 3 DATUM AND BASIC DIMENSIONS ESTABLISHED BY CUSTOMER.
- 4 RECOMMENDED PC BOARD THICKNESS OF 1.57.



EXTENDED BLOCK FEATURE IN HOUSING APPLICABLE TO 6364372-4 ONLY.

TAPE&REEL	YES	BLACK	6364372-5
TAPE&REEL	YES	BLACK	6364372-4
TAPE&REEL	YES	NATURAL	6364372-3
TUBE	YES	NATURAL	6364372-2
TUBE	NO	BLACK	6364372-1
PACKAGING	HIGH TEMPERATURE COMPATIBLE	HOUSING COLOR	PART NUMBER

THIS DRAWING IS A CONTROLLED DOCUMENT.

DIMENSIONS: mm	TOLERANCES UNLESS OTHERWISE SPECIFIED: 0 PLC ± - 1 PLC ± - 2 PLC ± 0.25 3 PLC ± - 4 PLC ± - ANGLES ± -	DWN J.JIANG 12APR2004 CHK S.YAO 12APR04 APVD J.QU 12APR04	NAME 108-60034 APPLICATION SPEC		
MATERIAL	FINISH	WEIGHT	SCALE A2 00779	DRAWING NO C=6364372	RESTRICTED TO
CUSTOMER DRAWING			SCALE 5:1	SHEET 1 of 1	REV B