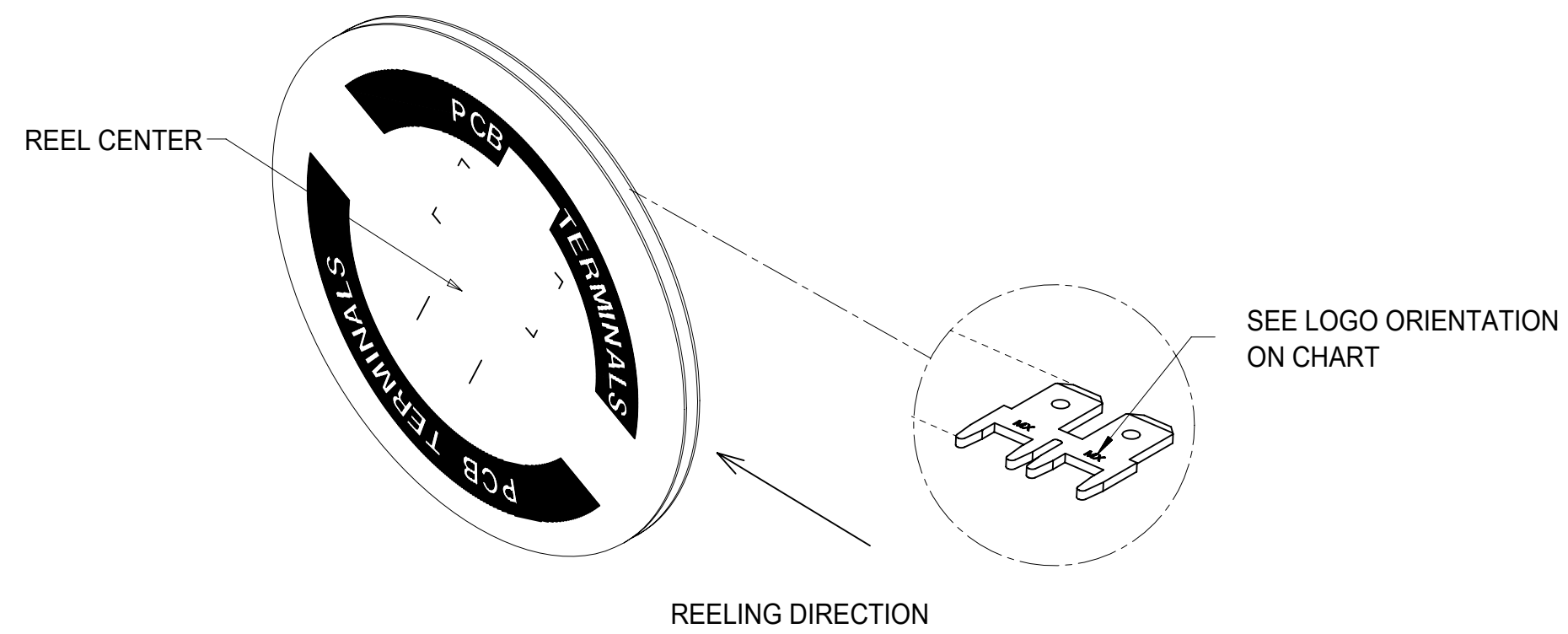
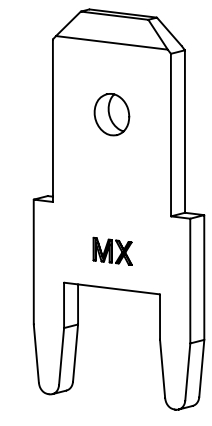
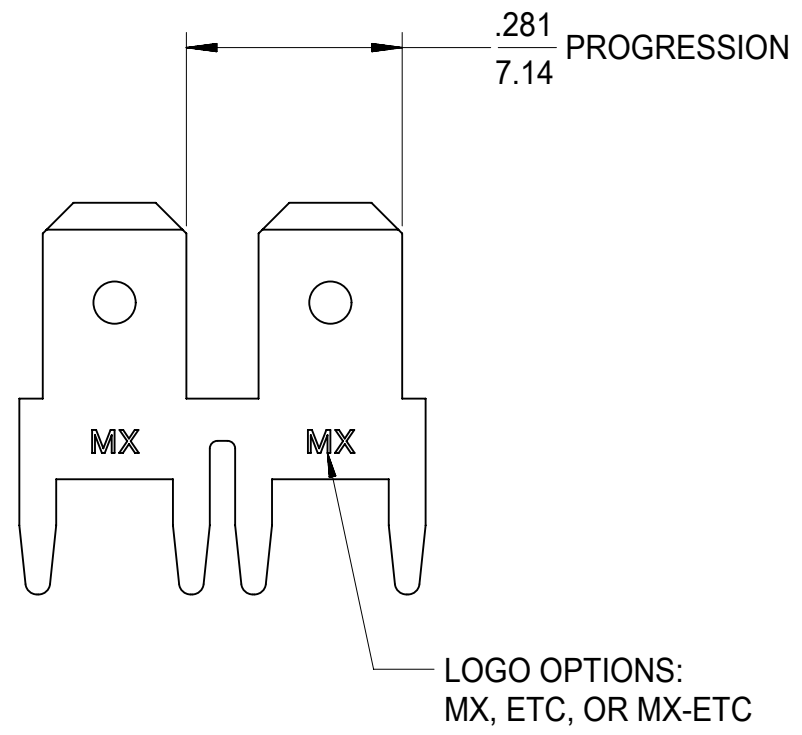
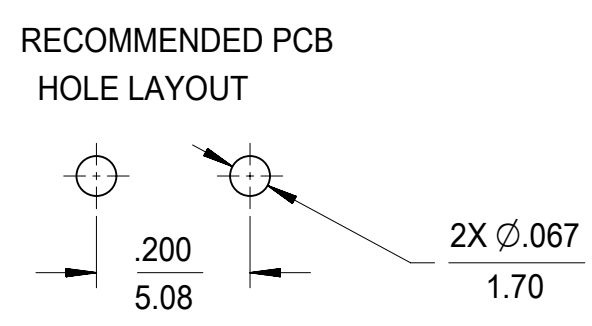
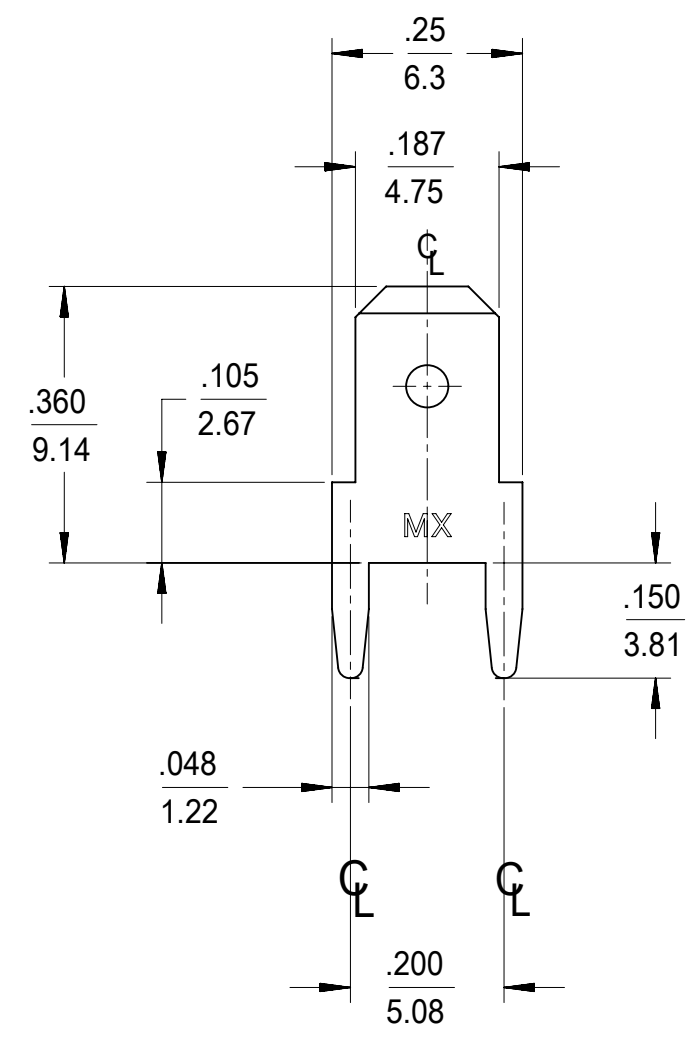


MATERIAL NUMBER	ENGINEERING NUMBER	CARRIER	QTY PER REEL	TAB THICKNESS	LOGO ORIENTATION
197084003	19708-4003	STRIP	$\triangle 7$.020/0.51	IN
197084013	19708-4013	STRIP	$\triangle 8$.032/0.81	
197084015	19708-4015	STRIP	$\triangle 8$.032/0.81	
197084001	19708-4001	LOOSE	NA	.020/0.51	NA
197084011	19708-4011	LOOSE	NA	.032/0.81	NA



- NOTES:
- BARE EDGES PERMISSIBLE AT CARRIER CUT OFF.
 - MATERIAL: BRASS C26000
 - MATERIAL THICKNESS: SEE CHART
 - TAB CONFORMS TO NEMA SPECIFICATIONS.
 - ALL DIMENSIONS AND NOTES REFERENCE UNLESS OTHERWISE NOTED.
 - PLATING: MATTE TIN, 150μIN/3.81μmm MINIMUM THICKNESS OVER NICKEL 50μIN/1.25μmm MINIMUM THICKNESS.
 - $\triangle 7$ REF: 15,000 PARTS TOTAL PER REEL. THE REEL HAS 14" DIAMETER REEL WITH A 1.25" DIAMETER CENTER HOLE.
 - $\triangle 8$ REF: 10,000 PARTS TOTAL PER REEL. THE REEL HAS 14" DIAMETER REEL WITH A 1.25" DIAMETER CENTER HOLE.
 - PART IS RoHS COMPLIANT.

FUNCTIONAL SYMBOLS	THIS DRAWING CONTAINS INFORMATION THAT IS PROPRIETARY TO MOLEX ELECTRONIC TECHNOLOGIES, LLC AND SHOULD NOT BE USED WITHOUT WRITTEN PERMISSION															
	DIMENSION UNITS	SCALE		CURRENT REV DESC: ADD NOTE 8: 10K PCS PER REEL. ADD QTY PER REEL COLUMN 15K (197084003) & 10K (197084013 & -4015).						molex						
$\triangle A = 0$	IN/MM	4:1		GENERAL TOLERANCES (UNLESS SPECIFIED)								QUICK DISCONNECT PCB MOUNTABLE .187 X .032/.020 TAB				
$\triangle C = 0$		MM	INCH													
$\triangle P = 0$		4 PLACES	±	±	EC NO: 656903 DRWN: DMYRICK 2021/03/01 CHK'D: CANDREW 2021/03/08 APPR: CANDREW 2021/03/08						PRODUCT CUSTOMER DRAWING					
DIVISIONAL SYMBOLS		3 PLACES	±	± 0.005												
		2 PLACES	±	0.13 ± 0.01	INITIAL REVISION: DRWN: BDEROSS 2000/08/24 APPR: RDEROSS 2000/08/28						DOCUMENT NUMBER SD-19708-400		DOC TYPE	DOC PART	REVISION	
		1 PLACE	±	± 0.25									PSD	001	J3	
		0 PLACES	±	±	DRAFT WHERE APPLICABLE MUST REMAIN WITHIN DIMENSIONS						MATERIAL NUMBER SEE CHART		CUSTOMER GENERAL MARKET		SHEET NUMBER 1 OF 1	
		ANGULAR TOL	±	1.0 °												
		THIRD ANGLE PROJECTION		DRAWING	SERIES	MATERIAL NUMBER		CUSTOMER		SHEET NUMBER						
				C-SIZE	19708	SEE CHART		GENERAL MARKET		1 OF 1						