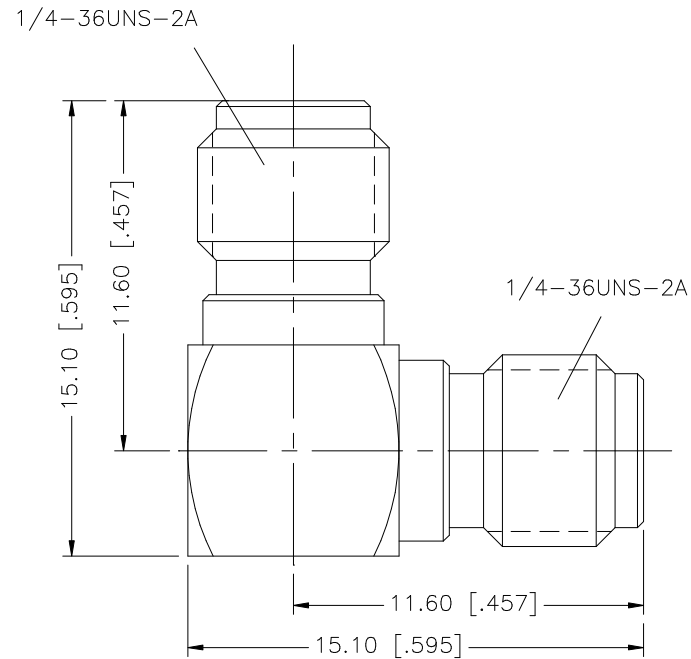


REV.	DATE	DESCRIPTION
NC	08/10/99	INITIAL RELEASE
A	09/26/06	UPDATE DRAWING FORMAT



8					UNLESS OTHERWISE SPECIFIED DIMENSIONS ARE IN MILLIMETERS. DIMENSIONS IN [ ] ARE IN INCHES AND FOR CUSTOMER REFERENCE ONLY.	APPROVALS	DATE	<b>Amphenol Connex</b>		
7						DRAWN G.R.S.	09/26/06			
6					CHECKED		PART DESCRIPTION			
5					ISSUED		SMA FEMALE TO FEMALE R/A ADAPTER			
4	COVER	BRASS	GOLD	1	UNLESS OTHERWISE SPECIFIED TOLERANCES FOR MILLIMETERS ARE: 0.5 - 8mm ± 0.20mm 8 - 30mm ± 0.40mm 30 - 120mm ± 0.50mm	SHEET 1 OF 1	PART NO.			
3	CONTACT PIN	BER. COPPER	GOLD	1				132274		
2	INSULATOR	TEFLON	NATURAL	1	UNLESS OTHERWISE SPECIFIED TOLERANCES FOR INCHES ARE: .020 - .315 = ± 0.007" .315 - 1.180 = ± 0.015" 1.180 - 4.724 = ± 0.020"		DWG. NO.			
1	BODY	BRASS	GOLD	1				132274.DWG		
	DESCRIPTION	MATERIAL	FINISH	QTY	DO NOT SCALE DRAWING	CAD FILE	C:/132/1132274.DWG	REV. A	SIZE A	SCALE NA