

# KT Series

## Full SMT Top & Side Actuated Sealed Tact Switch



### Features/Benefits

- Full SMT side-actuated tact switch
- SMT top-actuated tact switch with G or J terminations
- High shear force with extended bracket
- Easy to pick & place with top plate tab
- Rubber or hard plastic actuator
- Press fit or snap fit caps
- RoHS compliant and compatible

### Typical Applications

- Telecommunications
- Computer products
- Instrumentation
- Power supply

### Specification

CONTACT ARRANGEMENT: SPST, N.O.  
TERMINALS: SMT termination

### Electrical

CONTACT RATING: 1.0 VA max. @ 32 V AC or DC max.  
ELECTRICAL & MECHANICAL LIFE: 100,000 make-and-break cycles at full load.  
DIELECTRIC STRENGTH: 250 Vrms min. @ sea level.  
CONTACT RESISTANCE: Below 50 mΩ typ. initial @ 2-4 V DC, 100 mA.  
INSULATION RESISTANCE: 10<sup>9</sup> Ω min.

### Environmental

OPERATING TEMPERATURES: Ag version: -40°C to 90°C  
Au version: -40°C to 125°C

### Process

SOLDERABILITY: Per MIL-STD-202F method 208D, or EIA RS-186E method 9 (1 hour steam aging).  
DEGREE OF PROTECTION: IP57; protection against harmful dust deposits, full-scale voltage protection.

### Packaging

Switches supplied in anti-static tape and reels per EIA 481-2. Tape and cover strip are conductive for use near statically sensitive components.

**NOTE:** Specifications listed above are for switches with standard options. For information on specific and custom switches, consult Customer Service Center.

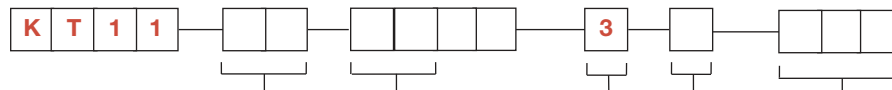
### How To Order

Our easy build-a-switch concept allows you to mix and match options to create the switch you need. To order, select desired option from each category and place it in the appropriate box.

However, please note that all the combinations of these options are not feasible.

For any part number different from those listed above, please consult your local representative.

### SWITCH



#### Actuator

- B0\*** Soft, flush
- B1\*** Soft, 0,64 mm
- B2\*** Soft, 2,24 mm
- P2\*\*** Hard, 2,36 mm
- P3\*\*** Hard, 1,12 mm
- P4\*\*** Hard, 3,96 mm
- S1\*\*\*** ø0,1" for Press Fit Caps
- S2\*\*\*** ø0,14" for Snap Fit Caps (with anti-rotation)

#### Orientation and Mounting Style

- SM** Top Gullwing
- JM** Top J Bend \*\*\*\*
- SAM** Right angle
- SA1M** Right angle with front solder pad
- SA2M** Right angle with front solder pad and pick & place tab
- SA3M** Right angle with pick & place tab

#### Contact Plating

- 4** Silver
- 5** Gold

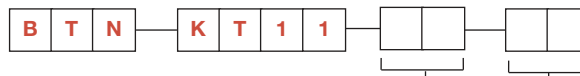
#### Contact Plating

- LFS** RoHS compliant and compatible. Silver plated
- LFG** RoHS compliant and compatible. Gold plated

\* B0, B1 & B2 available with A, A1 & A3 mounting bracket only.  
\*\* P2, P3, P4 actuators suitable with A1 & A2 mounting bracket only.  
\*\*\* S1 & S2 available with A1 & A2 mounting bracket only.  
\*\*\*\* JM available with B0, B1, B2, P2, P3, P4 without mounting bracket.

### BUTTON

To order buttons in bulk



#### Button Style

- 02** Press fit
- 03** Snap fit, high temperature

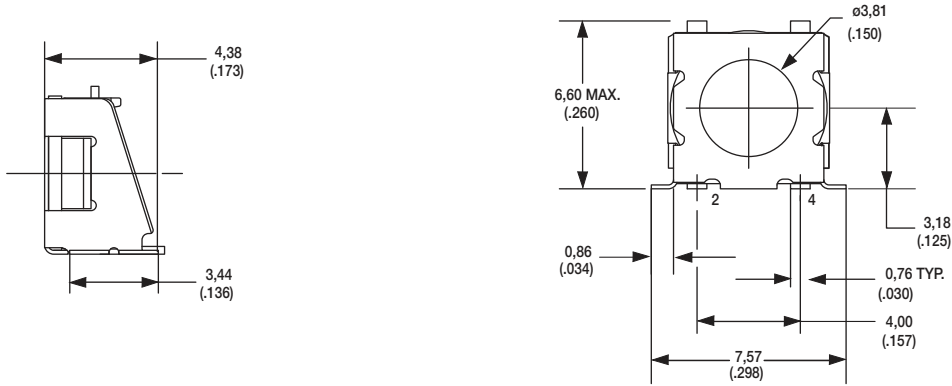
#### Button Color

- 90** Black
- 80** Ivory (natural)
- 40** Red

# KT Series Full SMT Top & Side Actuated Sealed Tact Switch

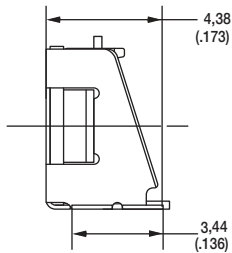
## SERIES

**KT11**

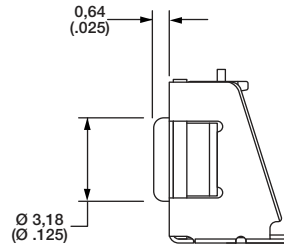


## ACTUATOR

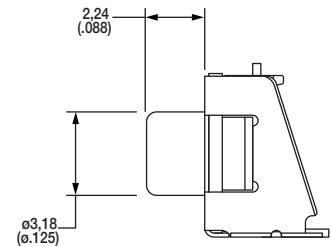
**B0 SOFT, FLUSH\***



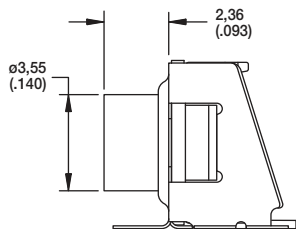
**B1 SOFT, 0,64 mm\***



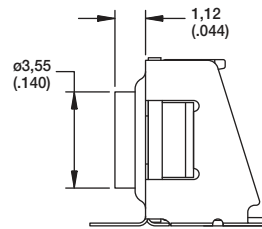
**B2 SOFT, 2,24 mm\***



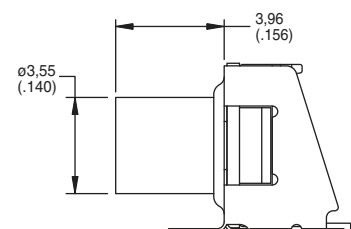
**P2 HARD, 2,36 mm**



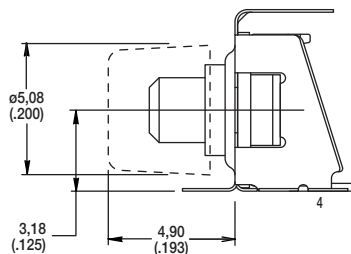
**P3 HARD, 1,12 mm**



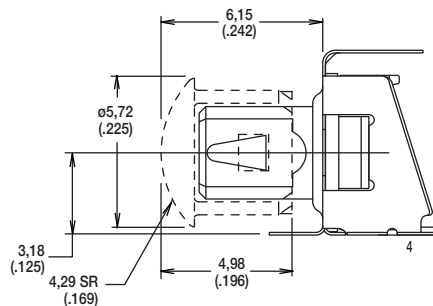
**P4 HARD, 3,96 mm\*\***



**S1 Ø0,1" FOR PRESS FIT CAPS\*\*\***



**S2 Ø0,14" FOR SNAP FIT CAPS\*\*\***



\* B0, B1 & B2 available with A, A1 & A3 mounting bracket only.

\*\* P2, P3, P4 actuators suitable with A1 & A2 mounting bracket only.

\*\*\* S1 & S2 available with A1 & A2 mounting bracket only.

\*\*\*\* JM available with B0, B1, B2, P2, P3, P4 without mounting bracket.



*Dimensions are shown: mm (inches)  
Specifications and dimensions subject to change*

B

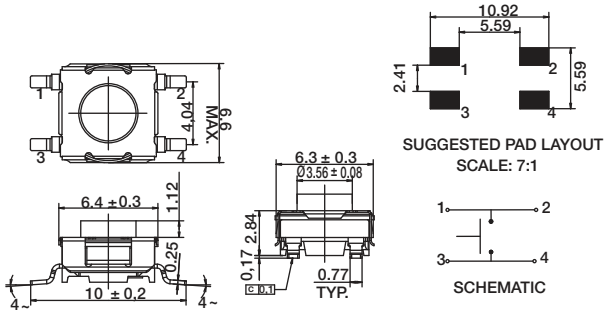
Tactile Switches

# KT Series Full SMT Top & Side Actuated Sealed Tact Switch

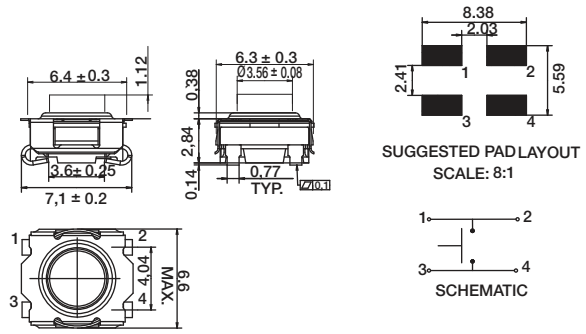
## ORIENTATION & MOUNTING STYLE

Tactile Switches

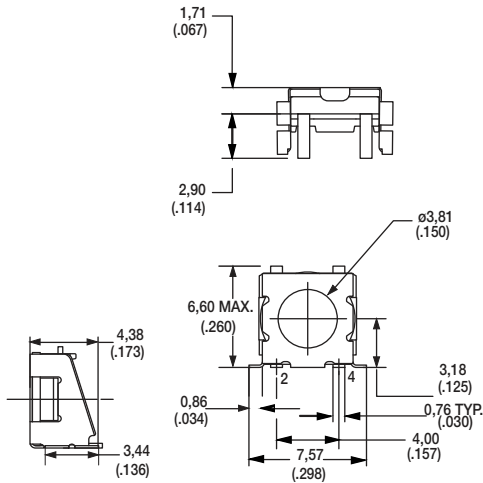
### SM TOP GULLWING



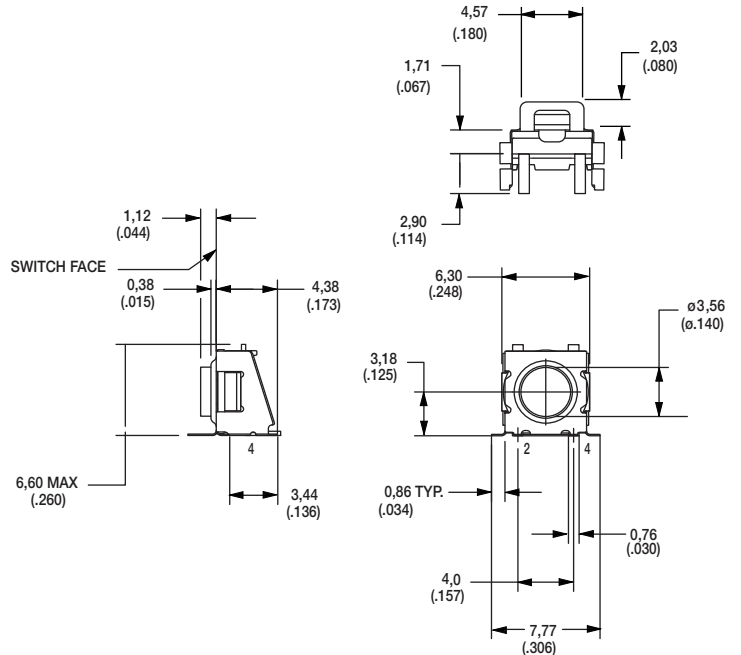
### JM TOP J BEND



### SAM RIGHT ANGLE



### SA1M RIGHT ANGLE WITH FRONT SOLDER PAD



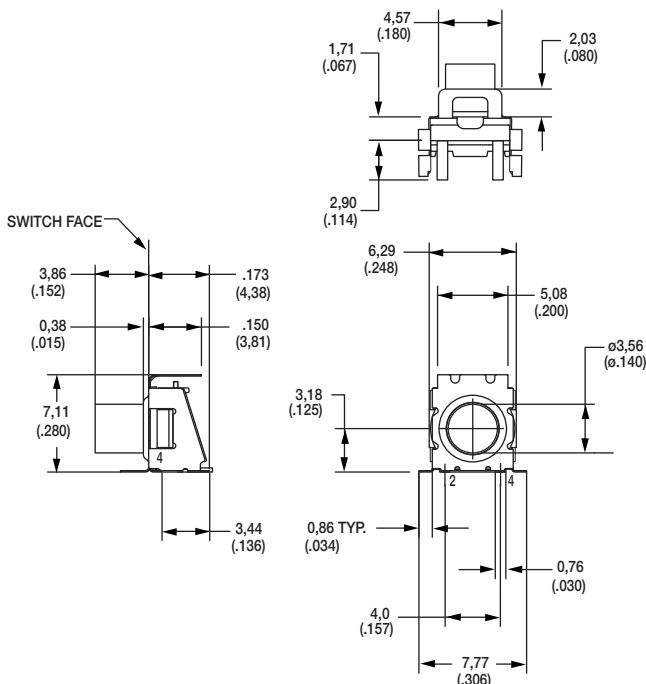
Dimensions are shown: mm (inches)  
Specifications and dimensions subject to change



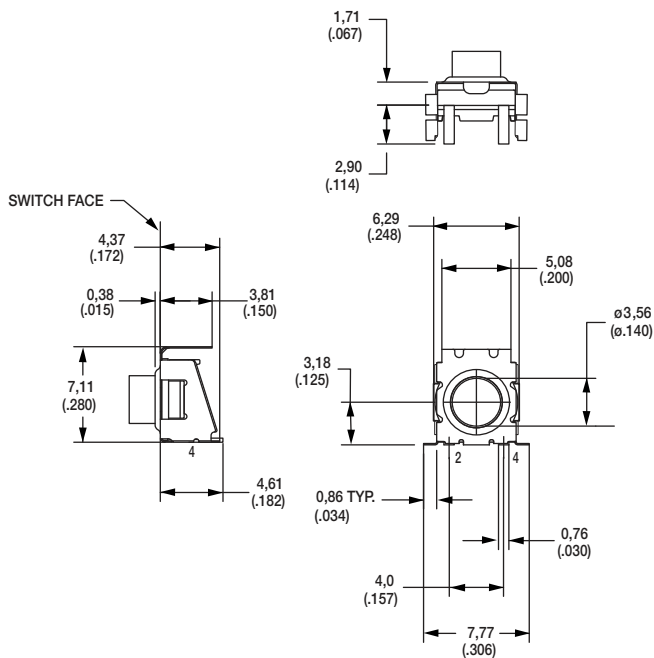
# KT Series

## Full SMT Top & Side Actuated Sealed Tact Switch

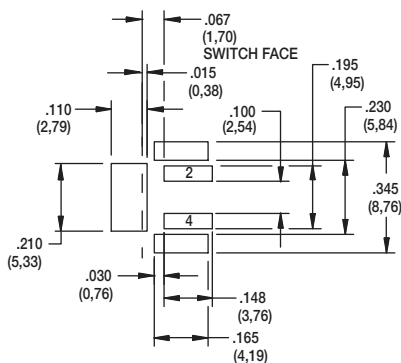
**SA2M** RIGHT ANGLE WITH FRONT SOLDER PAD AND PICK & PLACE TAB



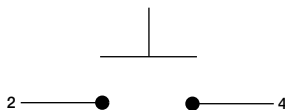
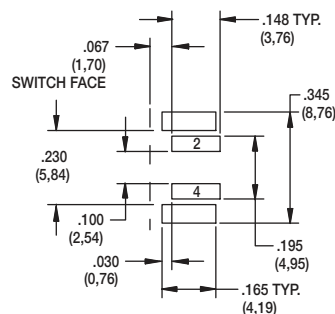
**SA3M** RIGHT ANGLE WITH PICK & PLACE TAB



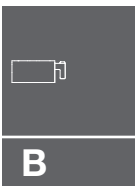
**PAD LAYOUT**  
SA1M & SA2M MOUNTING BRACKET



**PAD LAYOUT**  
SAM & SA3M MOUNTING BRACKET



**SCHEMATIC**



Dimensions are shown: mm (inches)  
Specifications and dimensions subject to change

# KT Series Full SMT Top & Side Actuated Sealed Tact Switch

## BUTTON

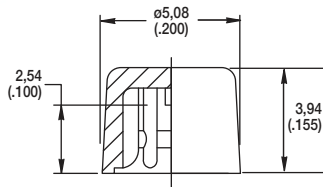
### BUTTON

To order buttons in bulk

#### 02 PRESS FIT

| PART NUMBER           | Internal Part Number | Button Color    |
|-----------------------|----------------------|-----------------|
| <b>BTN KT11 02 80</b> | 5081 01000           | Ivory (Natural) |
| <b>BTN KT11 02 90</b> | 5081 02000           | Black           |
| <b>BTN KT11 02 40</b> | 5081 03000           | Red             |

Materials: Nylon  
Finish: Gloss



#### 03 SNAP FIT, HIGH TEMPERATURE

| PART NUMBER           | Internal Part Number | Button Color    |
|-----------------------|----------------------|-----------------|
| <b>BTN KT11 03 80</b> | 685B 01000           | Ivory (Natural) |
| <b>BTN KT11 03 90</b> | 685B 02000           | Black           |

Materials: Nylon  
Finish: Gloss

