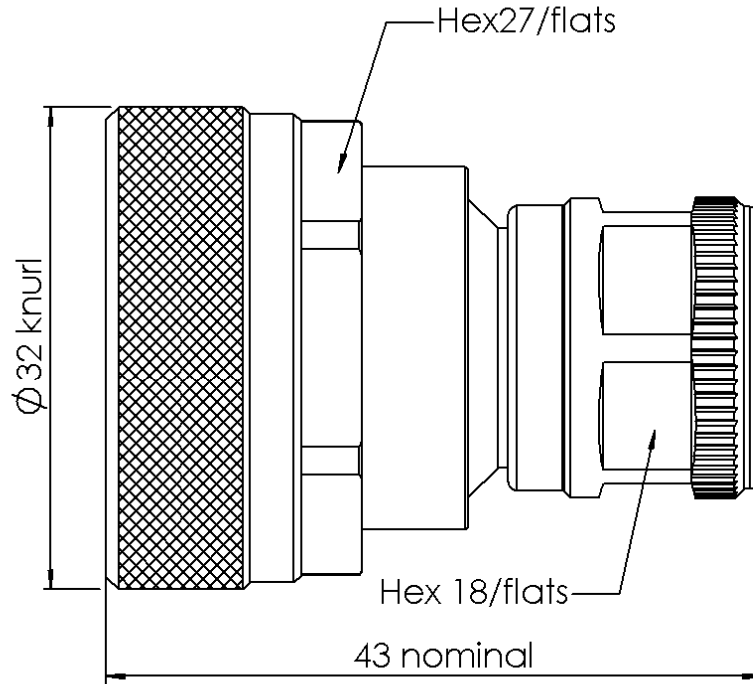


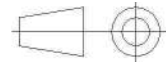
N MALE - 7/16 MALE STRAIGHT ADAPTER

R191.721.000

Series : **ADAPTER**



All dimensions are in mm.



COMPONENTS	MATERIALS	PLATING (µm)
BODY	BRASS	BBR OVER SILVER
CENTER CONTACT	BERYLLIUM COPPER	SILVER OVER COPPER
OUTER CONTACT	BRASS	SILVER OVER COPPER
INSULATOR	PTFE	
GASKET	SILICONE RUBBER	
OTHERS PARTS	BRASS	BBR
-	-	-
-	-	-

Issue : 1238 C

In the effort to improve our products, we reserve the rights to make changes judged to be necessary.



N MALE - 7/16 MALE STRAIGHT ADAPTER

R191.721.000

Series : **ADAPTER**

PACKAGING

SPECIFICATION

Standard	Unit	Other
1	-	Contact us

ELECTRICAL CHARACTERISTICS

ENVIRONMENTAL

Impedance		50 Ω
Frequency		0-7.5 GHz
VSWR	1.12 +	0,0000 x F(GHz) Maxi
Insertion loss		0.048 √F(GHz) dB Maxi
RF leakage	- (NA - F(GHz)) dB Maxi
Voltage rating		1400 Veff Maxi
Dielectric withstanding voltage		2500 Veff mini
Insulation resistance		5000 MΩ mini

Operating	-55/+155 °C
Hermetic seal	NA Atm.cm3/s
Panel leakage	NA

MECHANICAL CHARACTERISTICS

OTHER CHARACTERISTICS

Center contact retention		
Axial force – Mating end		68 N mini
Axial force – Opposite end		68 N mini
Torque		NA N.cm mini

VSWR:1.03 max at 0-3GHz
PIM3<-120dBm under 2 carriers of +43dBm

Recommended torque		
Mating	7-16	3000 N.cm
	N	130 N.cm
	-	0 N.cm
Panel nut		NA N.cm

Mating life		500 Cycles mini
Weight		94,3000 g

Issue : **1238 C**

In the effort to improve our products, we reserve the rights to make changes judged to be necessary.

