

H G F E D C B A

4

3

2

1

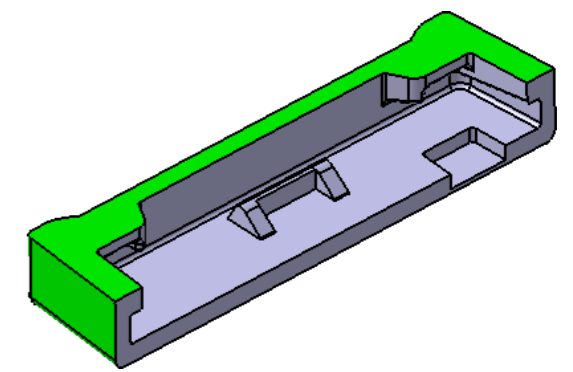
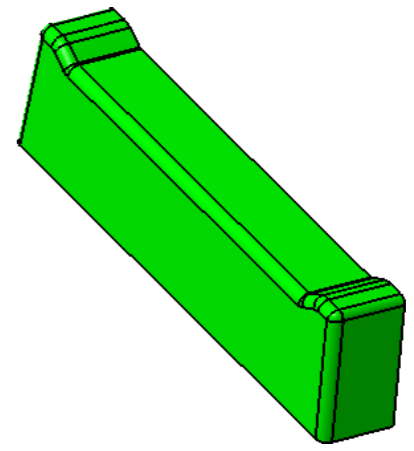
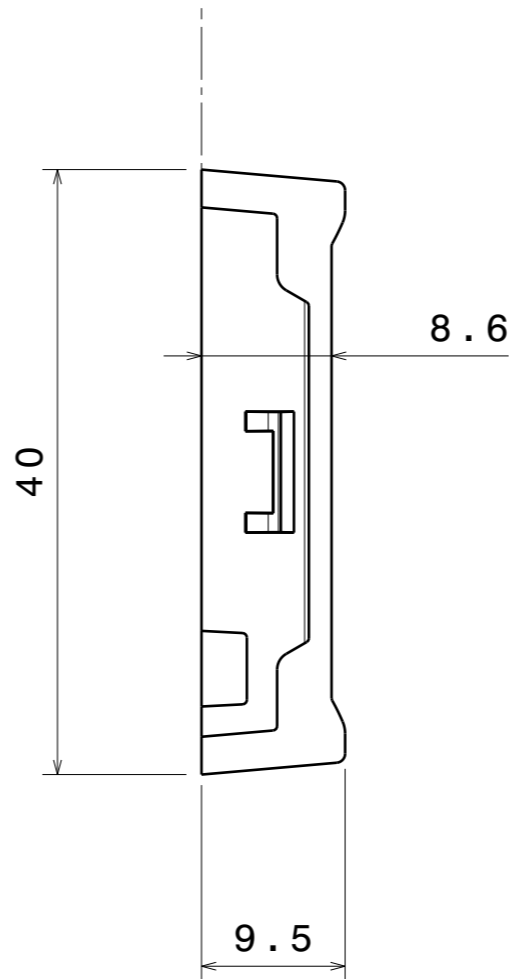
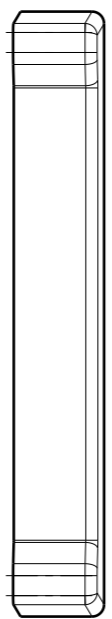
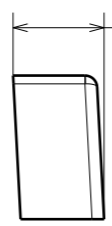
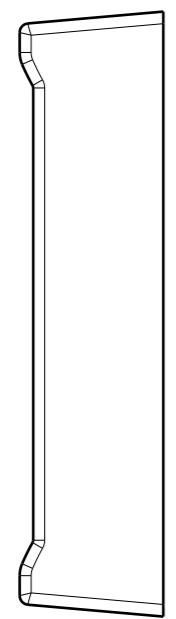
4

3

2

1

6.02



INDEX	PART NO	DESCRIPTION	MATERIAL	COLOUR
1	F15856	LINNEA-END-MS	PC	Clear

Tolerances if not otherwise shown  
 According to DIN ISO 2768-1  
 Linear measures:  
 Up to 30mm class M, otherwise class C.  
 According to DIN ISO 2768-2  
 Form and position: class L

**LEDiL** LediL Oy  
 Salorankatu 10  
 FIN 24240 SALO  
 Finland

THIRD ANGLE PROJECTION:

**DRAWING TITLE**  
 F15856\_LINNEA-END-MS Datasheet

This drawing is the property  
 of LEDiL Oy. It may not be  
 reproduced, copied or  
 communicated without a written  
 agreement with LEDiL Oy.

**SIZE** A3 **PART NUMBER** F15856

20160923 **SCALE** 1:1 **WEIGHT** 1,09 g **SHEET** 1/1

H G B A