

MATERIALS & SPECIFICATIONS

PART NO.	A22017-001	REV	ECO	DATE	APP
		D	104396	04-18-18	TLM

INSULATOR:
LIQUID CRYSTAL POLYMER (LCP) PER ASTM D5138.

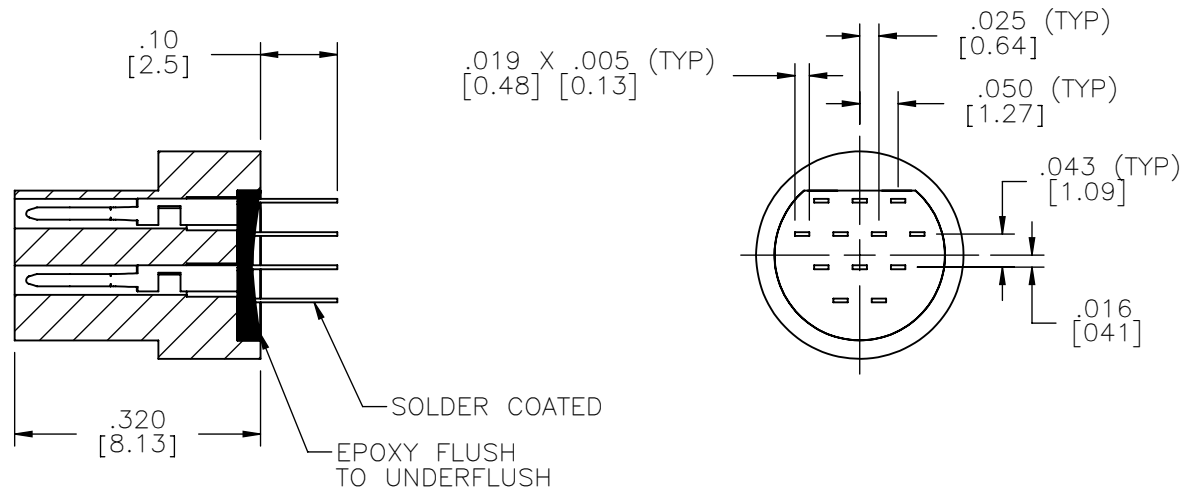
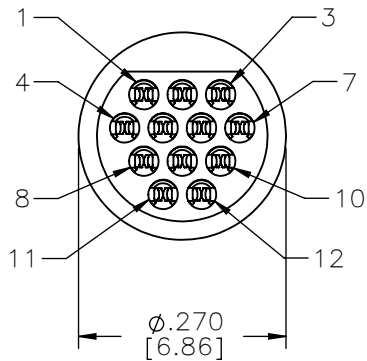
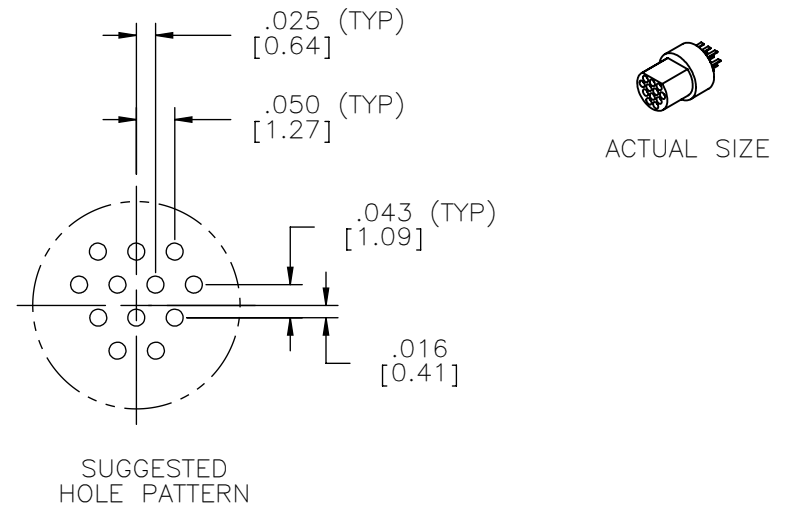
CONTACT:
BERYLLIUM COPPER PER ASTM B194, C17200. GOLD PLATED PER ASTM B488, (HARD GOLD) TYPE II CODE C CLASS 1.27.

TERMINATION:
BERYLLIUM COPPER PER ASTM B194, C17200. MATTE SOLDER PLATE .0001-.0002 THICK PER AMS-P-81728.

CURRENT CAPACITY:
3 AMP MAX.

CONTACT RESISTANCE:
26 MILLIOHMS (65mV) MAX @ 2.5 AMPS.

PERFORMANCE:
PRODUCT FAMILY TESTED TO AND PASSED THE PERFORMANCE SPECIFICATIONS OF TABLE VII OF MIL-DTL-83513.



NOTE:

DIMENSIONS IN [] ARE IN MILLIMETERS UNLESS OTHERWISE NOTED AND ARE FOR REFERENCE ONLY

MCP	THIRD ANGLE
	-TOLERANCES-
SLDW	UNLESS OTHERWISE NOTED
	DIMENSIONS IN INCHES
	2 PL DEC ± .01
	3 PL DEC ± .005
	4 PL DEC ± .0005
	ANGLES ± 1°

THIS DRAWING CONTAINS CONFIDENTIAL AND PROPRIETARY INFORMATION WHICH IS THE PROPERTY OF OMNETICS CONNECTOR CORP. THIS DOCUMENT MAY NOT, IN WHOLE OR IN PART, BE DUPLICATED, OR DISCLOSED FOR ANY PURPOSE, WITHOUT WRITTEN PERMISSION FROM OMNETICS CONNECTOR CORP.	
DFTM. TEP	DATE 04-07-06
CHK'D.	DATE
APP'D.	DATE
TITLE: (12) PIN MALE MICRO CIRCULAR CONNECTOR	

OMNETICS
CONNECTOR CORPORATION
7260 COMMERCE CIRCLE EAST
MINNEAPOLIS, MN 55432
WWW.OMNETICS.COM

REF: OMNETICS

CAGE CODE 61873	
DWG NO. A22017-001	
SHEET 1 OF 1	REV D
SCALE: 4:1	