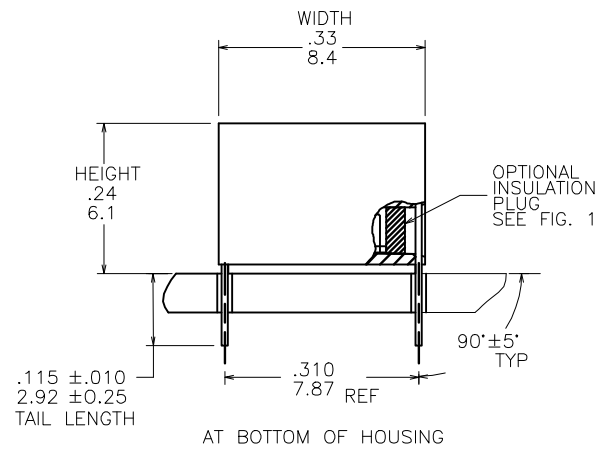
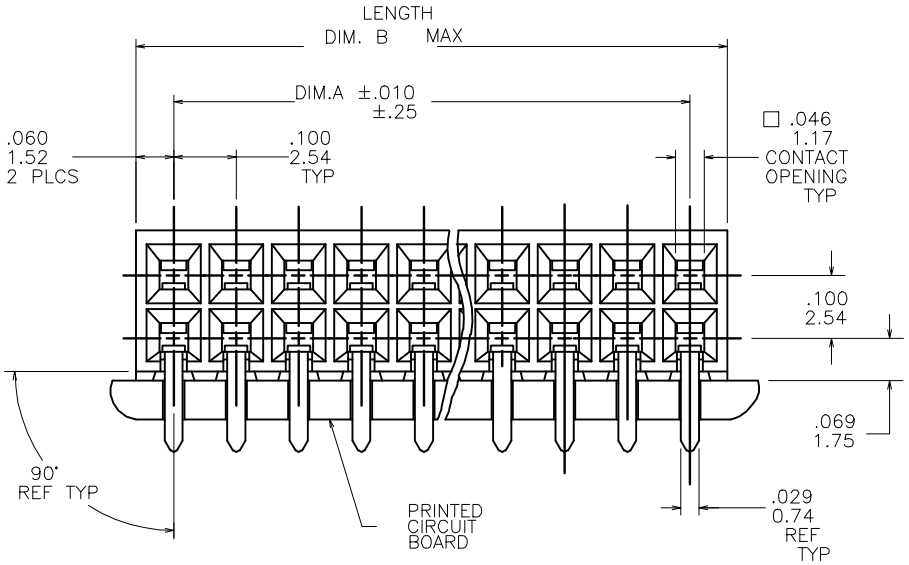
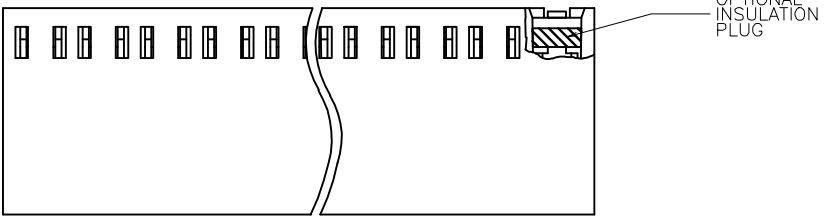


PRODUCT NO
SEE TABLE

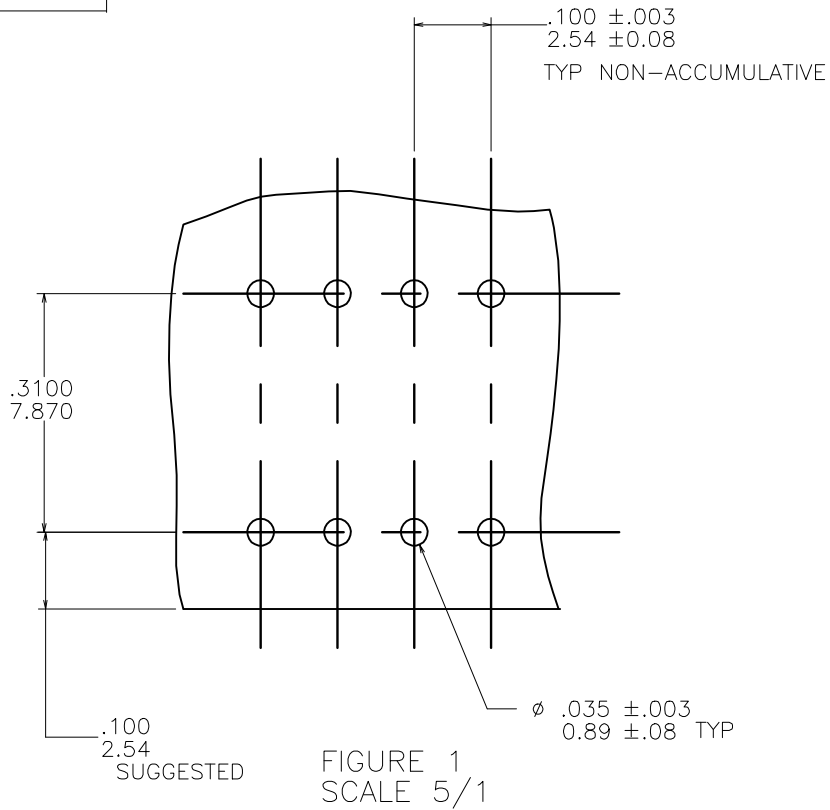


Copyright FCI

mat'l. code		surface		tolerance		projection		product family	
NOTE 1,2		ISO 1302		ISO 406 ISO 1101		INCH/MM		CARD CONN.	
lir	ech no	dr	date	angles	linear	scale 4:1		title	
H	V61633	EPK	11/14/96		.xx ±.01/.3			2 X .100/2.54 HORIZ. CARD CONNECTOR	
J	V70994	JM	10/19/97		.xxx ±.005/.13			dwg no 66926 sheet 1 of 6 size A3	
K	V02518	MDF	10/26/00	0° ±2'	.xxxx ±.0020/.051			type Product Customer Drawing	
L	M05-0181	MHT	8/20/05	dr	J. SHREINER	3/22/90			
L	M06-0117	MN	6/02/06	engr	M. HAHN	3/22/90			
N	M07-0137	MHT	2/26/07	chr	M. HAHN	3/22/90			
P	M09-0093	MHT	6/22/09	appd	M. HAHN	3/22/90			
sheet	revision	P	P	P	P	P	P		
index	sheet	1	2	3	4	5	6		

form: A3

PRODUCT NO
SEE TABLE



- NOTES.
- ① HOUSING MATERIAL.
FILLED HIGH TEMPERATURE NYLON, FLAME RETARDANT.
PER UL 94V-0
COLOR. BLACK
 - ② TERMINAL MATERIAL.
BODY. BRASS .010/.25 THICK.
SPRING. BE-CU. HEAT TREATED
BODY PLATING.
40 MICROINCH GOLD/1.02 MICRO OVER 50 MICROINCH
NICKEL/1.27 MICRON IN CONTACT AREA.
SOLDER TAIL .100 MICROINCH/2.54 MICRON PURE TIN (NOTE 8)
OVER 50 MICRO INCH/1.27 MICRON NICKEL
SPRING PLATING. GOLD FLASH
 3. APPLICATION INFORMATION.
A. RECOMMENDED MOUNTING HOLE PATTERN IS SHOWN IN FIG."1".
B. ALL MATING PINS TO BE .025/.64 SQUARE ON TRUE CENTER OF GIVEN TERMINAL SPACINGS WITHIN .015/.38 DIA.
C. SUGGESTED MATING PIN LENGTH .350±.020/8.89±.51.
 4. TERMINAL MATERIAL.
BODY. BRASS .010/.25 THICK.
SPRING. BE-CU. HEAT TREATED
BODY PLATING.
40 MICROINCH GOLD/1.02 MICRO OVER 50 MICROINCH
NICKEL/1.27 MICRON IN CONTACT AREA.
SOLDER TAIL PLATING .3 MICRON/0.076 MICRON GOLD
OVER 50 MICROINCH/1.27 MICRON NICKEL
SPRING PLATING. GOLD FLASH
 - ⑤ ADD "LF" SUFFIX AT THE END OF PART NUMBER FOR LEAD FREE OPTION.
 - ⑥ THESE PRODUCTS MEET EUROPEAN UNION DIRECTIVES AND OTHER COUNTRY REGULATIONS AS DESCRIBED IN GS-22-008.
 7. THIS PART WILL WITHSTAND EXPOSURE TO 260°C PEAK TEMPERATURE FOR 20 SECONDS IN A WAVE SOLDER, INFRA-RED OR VAPOR PHASE SOLDER PROCESS.
 - ⑧ "THIS PRODUCT HAS 100% TIN PLATING IN THE INTERFACE AND HAS NOT BEEN TESTED FOR WHISKER GROWTH IN ALL INTERCONNECT ENVIRONMENTS."



FCIconnect.com

Copyright FCI

mat'l. code		surface		tolerance		projection		product family	
NOTE 1,2		ISO 1302		ISO 406		ISO 1101		CARD CONN.	
litr	ecm no	dr	date	tolerances unless otherwise specified		INCH/MM		title	
P				angles	linear	.xx ±.01/.3		2 X .100/2.54 HORIZ.	
				0'±2'		.xxx ±.005/.13		CARD CONNECTOR	
						.xxxx ±.0020/.051		scale 4:1	
				dr	J. SHREINER	3/22/90		dwg no	
				engr	M. HAHN	3/22/90		sheet 2 of 6	
				chr	M. HAHN	3/22/90		size	
				appd	M. HAHN	3/22/90		A3	
sheet		revision		FCI		type		Product Customer Drawing	
index	sheet								

form A3

PRODUCT NO	N. OF PDS.	DIM. A	DIM. B	INSULATION PLUG	PLATING	LEAD FREE OPTION
66926-001	2X1	.00/7.0	.120/3.05	NO		NOTE 6,7
-002	2X2	.10/2.5	.220/5.59			
-003	2X3	.20/5.0	.320/8.13		NOTE 5	
-004	2X4	.30/7.6	.420/10.67		NOTE 5	
-005	2X5	.40/10.1	.520/13.21		NOTE 2	
-006	2X6	.50/12.7	.620/15.75			
-007	2X7	.60/15.2	.720/18.27			
-008	2X8	.70/17.7	.820/20.83			
-009	2X9	.80/20.3	.920/23.37			
-010	2X10	.90/22.8	1.020/25.91			
-011	2X11	1.00/25.4	1.120/28.45			
-012	2X12	1.10/27.9	1.220/30.99			
-013	2X13	1.20/30.4	1.320/33.53			
-014	2X14	1.30/33.0	1.420/36.07			
-015	2X15	1.40/35.5	1.520/38.61			
-016	2X16	1.50/38.1	1.620/41.15			
-017	2X17	1.60/40.6	1.720/43.69			
-018	2X18	1.70/43.1	1.820/46.23			
-019	2X19	1.80/45.7	1.920/48.77			
-020	2X20	1.90/48.2	2.020/51.31			
-021	2X21	2.00/50.8	2.120/53.85			
-022	2X22	2.10/53.3	2.220/56.39			
-023	2X23	2.20/55.8	2.320/58.93			
-024	2X24	2.30/58.4	2.420/61.47			
-025	2X25	2.40/60.9	2.520/64.01			
-026	2X26	2.50/63.5	2.620/66.55			
-027	2X27	2.60/66.0	2.720/69.09			
-028	2X28	2.70/68.5	2.820/71.63			
-029	2X29	2.80/71.1	2.920/74.17			
-030	2X30	2.90/73.6	3.020/76.71			
-031	2X31	3.00/76.2	3.120/79.25			
-032	2X32	3.10/78.7	3.220/81.79			
-033	2X33	3.20/81.2	3.320/84.33			
-034	2X34	3.30/83.8	3.420/86.87			
-035	2X35	3.40/86.3	3.520/89.41			
-036	2X36	3.50/88.9	3.620/91.95			
-037	2X37	3.60/91.4	3.720/94.49			
-038	2X38	3.70/93.9	3.820/97.03			
-039	2X39	3.80/96.5	3.920/99.57			
66926-040	2X40	3.90/99.0	4.020/102.11	NO	NOTE 2	NOTE 6,7

UNASSIGNED
UNASSIGNED
OBSOLETE
OBSOLETE



Copyright FCJ

mat'l. code	NOTE 1,2	surface	ISO 1302	tolerance	ISO 406	projection	product family
ltr	ecn no	dr	date	tolerances unless otherwise specified			CARD CONN.
P				angles	linear	INCH/MM	title
				0'±2'	.xx ±.01/.3	←	2 X .100/2.54 HORIZ.
					.xxx ±.005/.13	→	CARD CONNECTOR
					.xxxx ±.0020/.051	scale 4:1	dwg no
				dr	J. SHREINER	3/22/90	sheet 3 of 6
				engr	M. HAHN	3/22/90	size
				chr	M. HAHN	3/22/90	A3
				appd	M. HAHN	3/22/90	type
sheet	revision						Product Customer Drawing
index	sheet						

PRODUCT NO	N. OF POS.	DIM. A	DIM. B	INSULATION PLUG	PLATING	LEAD FREE OPTION
66926-501	2X1	.00/7.0	.120/3.05	YES		NOTE 6,7
-502	2X2	.10/2.5	.220/5.59			
-503	2X3	.20/5.0	.320/8.13		NOTE 5	
-504	2X4	.30/7.6	.420/10.67		NOTE 5	
-505	2X5	.40/10.1	.520/13.21		NOTE 2	
-506	2X6	.50/12.7	.620/15.75			
-507	2X7	.60/15.2	.720/18.27			
-508	2X8	.70/17.7	.820/20.83			
-509	2X9	.80/20.3	.920/23.37			
-510	2X10	.90/22.8	1.020/25.91			
-511	2X11	1.00/25.4	1.120/28.45			
-512	2X12	1.10/27.9	1.220/30.99			
-513	2X13	1.20/30.4	1.320/33.53			
-514	2X14	1.30/33.0	1.420/36.07			
-515	2X15	1.40/35.5	1.520/38.61			
-516	2X16	1.50/38.1	1.620/41.15			
-517	2X17	1.60/40.6	1.720/43.69			
-518	2X18	1.70/43.1	1.820/46.23			
-519	2X19	1.80/45.7	1.920/48.77			
-520	2X20	1.90/48.2	2.020/51.31			
-521	2X21	2.00/50.8	2.120/53.85			
-522	2X22	2.10/53.3	2.220/56.39			
-523	2X23	2.20/55.8	2.320/58.93			
-524	2X24	2.30/58.4	2.420/61.47			
-525	2X25	2.40/60.9	2.520/64.01			
-526	2X26	2.50/63.5	2.620/66.55			
-527	2X27	2.60/66.0	2.720/69.09			
-528	2X28	2.70/68.5	2.820/71.63			
-529	2X29	2.80/71.1	2.920/74.17			
-530	2X30	2.90/73.6	3.020/76.71			
-531	2X31	3.00/76.2	3.120/79.25			
-532	2X32	3.10/78.7	3.220/81.79			
-533	2X33	3.20/81.2	3.320/84.33			
-534	2X34	3.30/83.8	3.420/86.87			
-535	2X35	3.40/86.3	3.520/89.41			
-536	2X36	3.50/88.9	3.620/91.95			
-537	2X37	3.60/91.4	3.720/94.49			
-538	2X38	3.70/93.9	3.820/97.03			
-539	2X39	3.80/96.5	3.920/99.57			
66926-540	2X40	3.90/99.0	4.020/102.11	YES	NOTE 2	NOTE 6,7

UNASSIGNED
UNASSIGNED
OBSOLETE
OBSOLETE



FCconnect.com

Copyright FCJ

mat'l. code		surface		tolerance		projection		product family	
NOTE 1,2		ISO 1502		ISO 406		1st angle		CARD CONN.	
lir	ecm no	dr	date	tolerances unless otherwise specified		INCH/MM		title	
P				angles	linear	.xx ±.01/.3		2 X .100/2.54 HORIZ.	
				0'±2'		.xxx ±.005/.13		CARD CONNECTOR	
						.xxxx ±.0020/.051		scale 4:1	
		dr	J. SHREINER	3/22/90		FCJ		dwg no 66926 sheet 5 of 6 size A3	
		engr	M. HAHN	3/22/90					
		chr	M. HAHN	3/22/90					
		appd	M. HAHN	3/22/90				type Product Customer Drawing	
sheet index	revision sheet								

PRODUCT NO	N. OF POS.	DIM. A	DIM. B	INSULATION PLUG	PLATING	LEAD FREE OPTION
66926-541	2X41	4.00/101.6	4.120/104.65	YES	NOTE 2	NOTE 6,7
-542	2X42	4.10/104.1	4.220/107.19			
-543	2X43	4.20/106.6	4.320/109.73			
-544	2X44	4.30/109.2	4.420/112.27			
-545	2X45	4.40/111.7	4.520/114.81			
-546	2X46	4.50/114.3	4.620/117.35			
-547	2X47	4.60/116.8	4.720/119.89			
-548	2X48	4.70/119.3	4.820/122.43			
-549	2X49	4.80/121.9	4.920/124.97			
-550	2X50	4.90/124.4	5.020/127.51			
-551	2X51	5.00/127.0	5.120/130.05			
-552	2X52	5.10/129.5	5.220/132.59			
-553	2X53	5.20/132.0	5.320/135.15			
-554	2X54	5.30/134.6	5.420/137.67			
-555	2X55	5.40/137.1	5.520/140.21			
-556	2X56	5.50/139.7	5.620/142.76			
-557	2X57	5.60/142.2	5.720/145.29			
-558	2X58	5.70/144.7	5.820/147.83			
-559	2X59	5.80/147.3	5.920/150.37			
-560	2X60	5.90/149.8	6.020/152.91			
-561	2X61	6.00/152.4	6.120/155.45			
-562	2X62	6.10/154.9	6.220/157.99			
-563	2X63	6.20/157.4	6.320/160.53			
-564	2X64	6.30/160.0	6.420/163.07			
66926-565	2X65	6.40/162.5	6.520/165.61	YES	NOTE 2	NOTE 6,7
66926-566 THRU -600						

OBsolete



FCJconnect.com

mat'l. code		surface		tolerance		projection		product family	
NOTE 1,2		ISO 1302		ISO 406		FIRST ANGLE		CARD CONN.	
lir	ecrn no	dr	date	tolerances unless otherwise specified		INCH/MM		title	
N				angles	linear	.xx ±.01/.3		2 X .100/2.54 HORIZ.	
				0'±2'		.xxx ±.005/.13		CARD CONNECTOR	
						.xxxx ±.0020/.051		scale 4:1	
				dr	J. SHREINER	3/22/90		dwg no	
				engr	M. HAHN	3/22/90		sheet 6 of 6 size	
				chr	M. HAHN	3/22/90		66926 A3	
				appd	M. HAHN	3/22/90		type Product Customer Drawing	
sheet	revision								
index	sheet								

Copyright FCJ