

CUSTOMER PRINT

PART NUMBER: 6280-XSG-3XX(CCX)

- NOTES:**
1. ALL PARTS TO BE BULK PACKED
 2. ALL DIMENSIONS ARE REFERENCE ONLY

ASS'Y P/N	COUPLING RING COLOR
6280-XSG-3XXCC1	WHITE
6280-XSG-3XXCC2	RED
6280-XSG-3XXCC3	BLUE
6280-XSG-3XXCC4	LIGHT GREY
6280-XSG-3XXCC5	YELLOW
6280-XSG-3XXCC6	MAROON
6280-XSG-3XXCC7	GREEN

ASSY P/N	GROMMET SIZE
6280-XSG-3DC	DAISY CHAIN
6280-XSG-311	CABLE O.D. .09-.14
6280-XSG-315	CABLE O.D. .15-.17
6280-XSG-318	CABLE O.D. .18-.20
6280-XSG-321	CABLE O.D. .21-.23

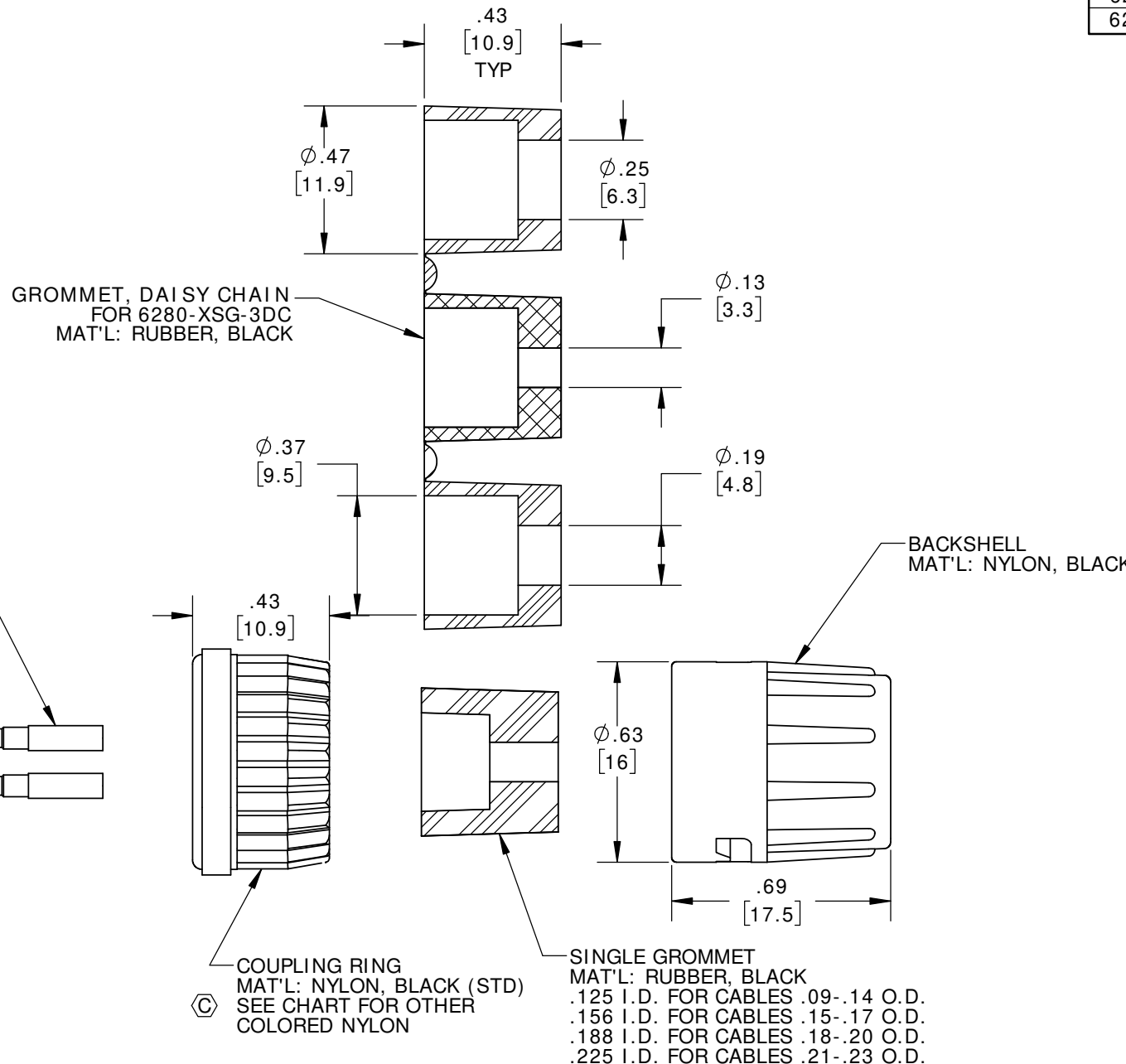
ASSY P/N	NO. OF CONTACTS
6280-2SG-3XX	2 #20
6280-3SG-3XX	3 #20
6280-4SG-3XX	4 #20
6280-5SG-3XX	5 #20
6280-6SG-3XX	6 #20
6280-7SG-3XX	7 #20
6280-8SG-3XX	8 #20
6280-XSG-3XX	

CUSTOMER APPROVAL

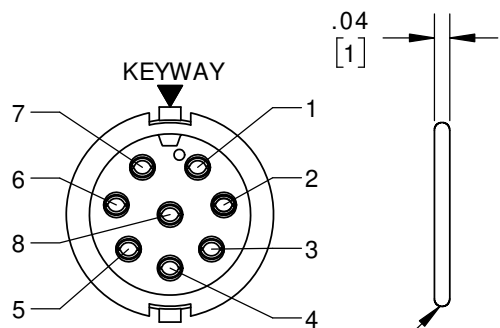
THIS DOCUMENT CONTAINS CONFIDENTIAL INFORMATION PROPRIETARY TO CONXALL CORPORATION. ANY REPRODUCTION, DISCLOSURE, OR USE OF THIS DOCUMENT / INFORMATION IS EXPRESSLY PROHIBITED UNLESS AUTHORIZED IN WRITING BY CONXALL CORPORATION.

APPROVED BY: _____

DATE: _____

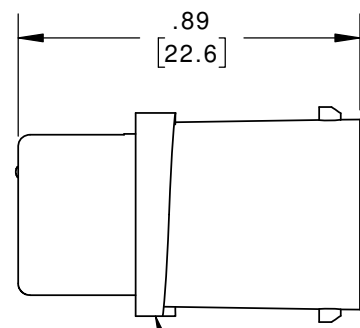


(2-8) #20 SOCKET CONTACTS
MAT'L: GOLD PLATED COPPER ALLOY

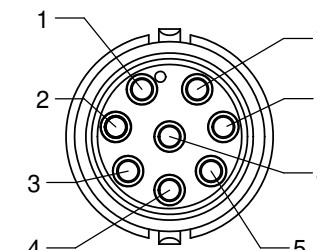
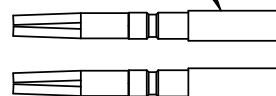


FACE VIEW
6280-8SG-3XX

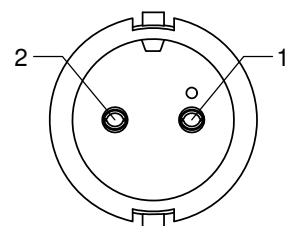
O-RING
MAT'L: RUBBER, BLACK



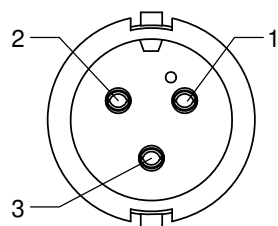
CABLE CONNECTOR
MAT'L: NYLON, BLACK



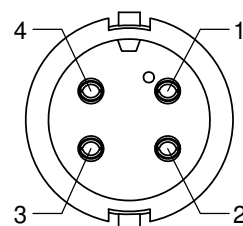
WIRE VIEW
6280-8SG-3XX SHOWN



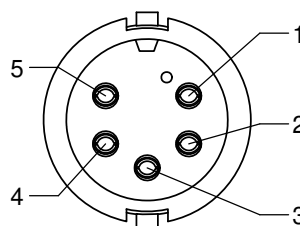
FACE VIEW
6280-2SG-3XX



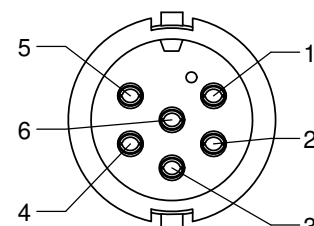
FACE VIEW
6280-3SG-3XX



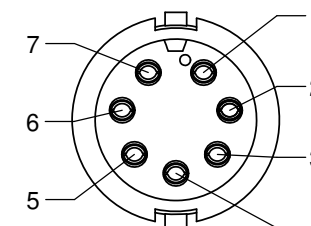
FACE VIEW
6280-4SG-3XX



FACE VIEW
6280-5SG-3XX



FACE VIEW
6280-6SG-3XX



FACE VIEW
6280-7SG-3XX

DIMENSIONS IN [] ARE IN MILLIMETERS

RoHS COMPLIANT

C	MA	02-26-18	DWG NO. WAS 6280-XSG-3XX, ADDED COUPLING RING COLOR CHART PER DOR 18-E149SL #4
B	BZ	05-21-09	DRAWING NO. WAS 6280-4SG-3XX, CONVERTED TO FAMILY DRAWING PER DOR 09-E149SL
A	AN	03-10-09	DRAWING CREATED PER DOR 09-E149SL
REV.	INIT.	DATE	DESCRIPTION
	AN	03-10-09	ORIG. DRAWN BY: DATE: 03-10-09
ALL INFORMATION ILLUSTRATED IS THE PROPERTY OF CONXALL CORPORATION. UNAUTHORIZED DUPLICATION OR DISTRIBUTION OF THIS DOCUMENT IS PROHIBITED.			<p>601 E. WILDWOOD VILLA PARK, IL 60181</p>
ALL UNITS ARE IN FEET, INCHES, FRACTION OF INCHES AND DECIMALS.			
APPROVED BY:		TITLE: CABLE CONNECTOR ASSEMBLY (2-8) #20 SOCKET CONTACTS MINI-CON-X	
SCALE	SIZE	SHEET	CUSTOMER: STANDARD PRODUCT
NTS	B	1 OF 1	
FILE: 6280-XSG-3XX(CCX)	DIRECTORY: SLW	PART NUMBER: 6280-XSG-3XX(CCX)	REV C