

**NOTES:**

**1- MATERIAL:**

HOUSING: LCP GLASS FILLED UL 94V0, COLOUR: BLACK  
 TERMINAL: COPPER ALLOY PLATED WITH:  
 BASE FINISH: NICKEL  
 CONTACT SURFACE FINISH:  
 GOLD  
 OR  
 GOLD FLASH OVER PALLADIUM NICKEL.  
 EXCEEDS PRODUCT REQUIREMENTS BASED ON PS-95501

SOLDER PEGS: COPPER ALLOY PLATED WITH TIN.

2- JACK FOR MATING WITH IEC 60603-7 & TIA-1096-A PLUGS (MOLEX 90075 SERIES).

3- PRODUCT SPECIFICATION: MOLEX PS-95501

4- POLYIMIDE ADHESIVE TAPE FOR PICK & PLACE SURFACE. THICKNESS: 125 µm

5- PACKAGING SPECIFICATION: MOLEX PK-85502. (BLISTER PACKAGING).

6- COPLANARITY OF SIGNAL LEADS: 0.10

7- SEE DIMENSIONS IN CHART ON SHEET 2.

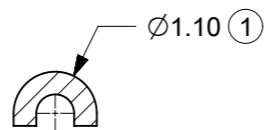
8- P.C. BOARD THICKNESS: 1.57

9- MANUFACTURING I.D. CAN BE EITHER MG, MXF OR MXI.

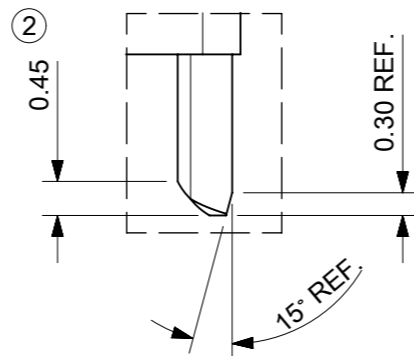
10- APPLICATION SPEC: AS-85513-001

LAST INSPECTION NUMBER: 14

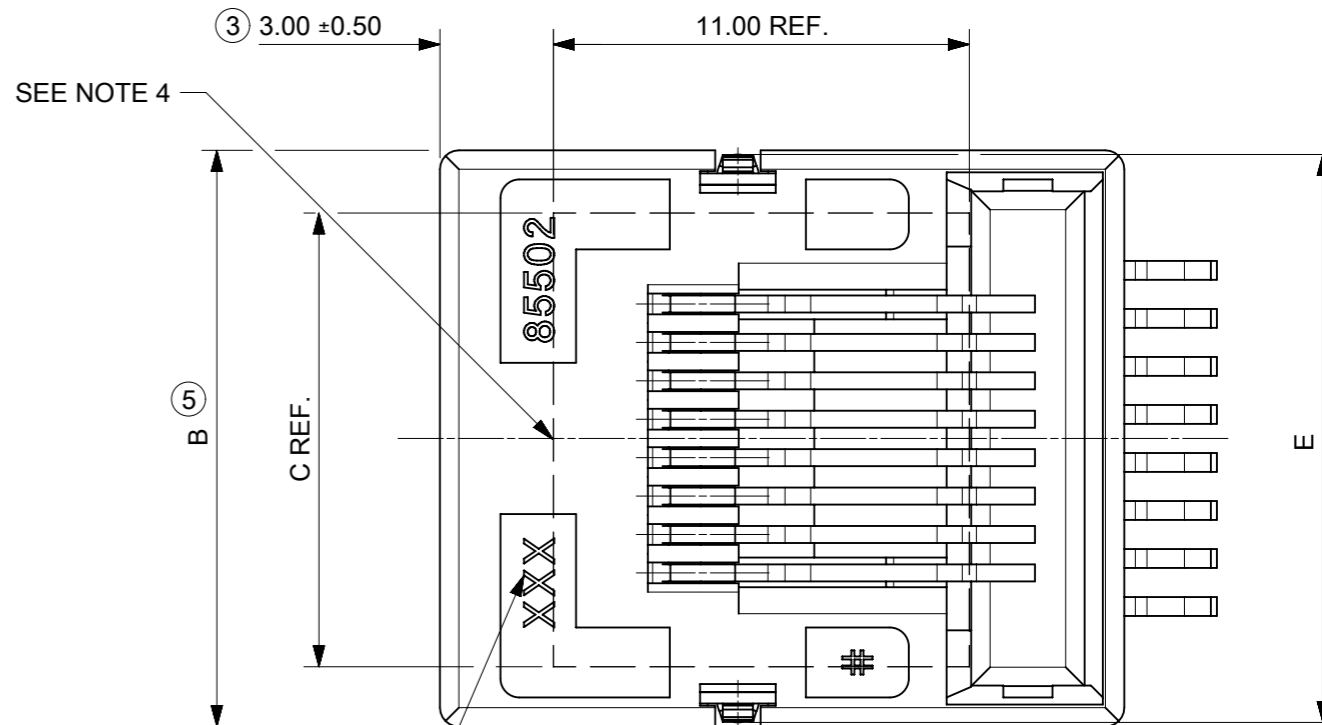
CHANGED PROD SPEC EC NO: IPG2013-0771 DRWN:DBYRNES 2012/11/23 CHKD: APPR:STGRIFFIN 2012/12/13	DESCRIPTION REV	QUALITY SYMBOLS	GENERAL TOLERANCES (UNLESS SPECIFIED)	DIMENSION STYLE	SCALE	DESIGN UNITS	THIRD ANGLE PROJECTION
		▽=0 Ⓢ=0	mm    INCH 4 PLACES ± --- ± --- 3 PLACES ± --- ± --- 2 PLACES ± 0.25 ± --- 1 PLACE ± 0.35 ± --- ANGULAR ± 2 °	MM ONLY	5:1	METRIC	☉    □ THIRD ANGLE PROJECTION
			DRAFT WHERE APPLICABLE MUST REMAIN WITHIN DIMENSIONS	DRAWN BY: DB    DATE: 2006/06/12 CHECKED BY: EOMAHONY    DATE: 2006/06/15 APPROVED BY: EOMAHONY    DATE: 2006/06/15 MATERIAL NO.	TITLE R/A LOW PROFILE P.C.JACK SMT; 4,6 & 8 CKTS WITH THROUGH HOLE SOLDER PEGS MOLEX INCORPORATED	DOCUMENT NO.	SHEET NO.
				SEE CHART SHT 2 SIZE A3 THIS DRAWING CONTAINS INFORMATION THAT IS PROPRIETARY TO MOLEX INCORPORATED AND SHOULD NOT BE USED WITHOUT WRITTEN PERMISSION	SD-85502-103	1 OF 2	



SECTION V-V  
(SCALE 10:1)



DETAIL X  
(SCALE 10:1)



SEE NOTE 4

3.00 ± 0.50

11.00 REF.

5

C REF.

4

SEE NOTE 9.

NOTES:

1. MATERIAL:

HOUSING: LCP GLASS FILLED UL 94-V0, COLOUR: BLACK  
 TERMINAL: COPPER ALLOY PLATED WITH:  
 BASE FINISH: NICKEL  
 CONTACT SURFACE FINISH:  
 GOLD  
 OR  
 GOLD FLASH OVER PALLADIUM NICKEL.  
 EXCEEDS PRODUCT REQUIREMENTS BASED ON PS-95501

SOLDER PEGS: COPPER ALLOY PLATED WITH TIN.

2. JACK FOR MATING WITH IEC 60603-7 & TIA-1096-A PLUGS  
 (MOLEX 90075 SERIES)

3. PRODUCT SPECIFICATION: MOLEX PS-95501

4. POLYIMIDE ADHESIVE TAPE FOR PICK & PLACE SURFACE.  
 THICKNESS: 125µm.

5. PACKAGING SPECIFICATION: MOLEX PK-85502  
 (BLISTER PACKAGING).

6. COPLANARITY OF SIGNAL LEADS: 0.10

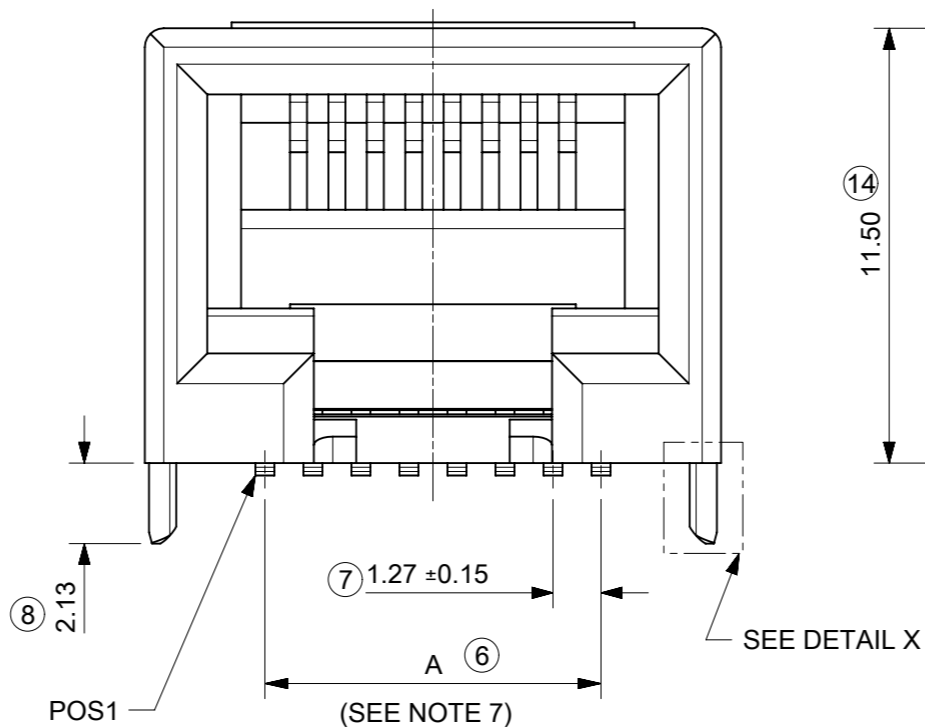
7. SEE DIMENSIONS IN CHART ON SHEET 2.

8. P.C. BOARD THICKNESS: 1.57

9. MANUFACTURING I.D. MAY BE EITHER MG, MXF, MXI OR MXCH.

10. APPLICATION SPEC: AS-85513-001

LAST INSPECTION NUMBER: 15



8

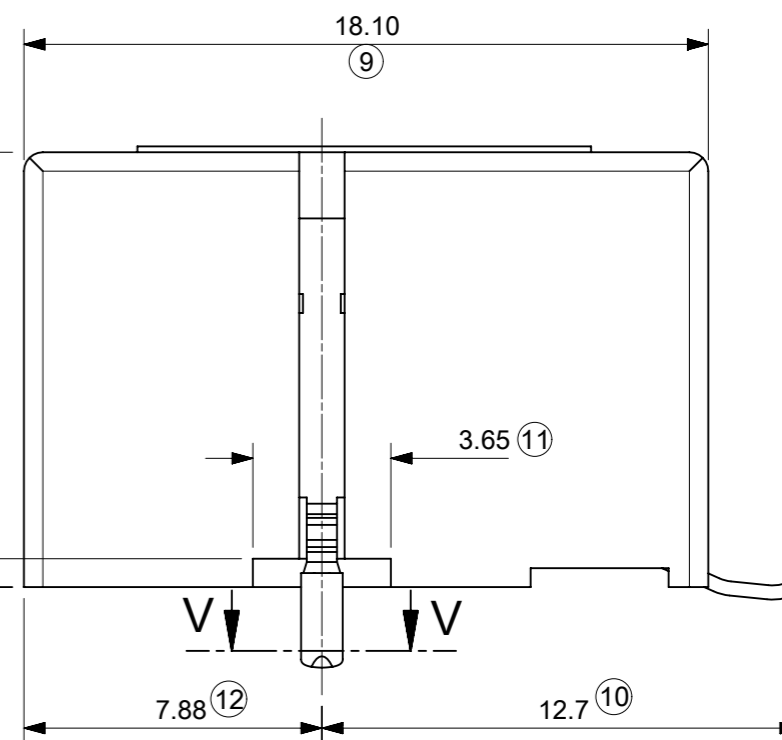
2.13

7. 1.27 ± 0.15

A

(SEE NOTE 7)

SEE DETAIL X



18.10

9

14

0.75

3.65

11

7.88

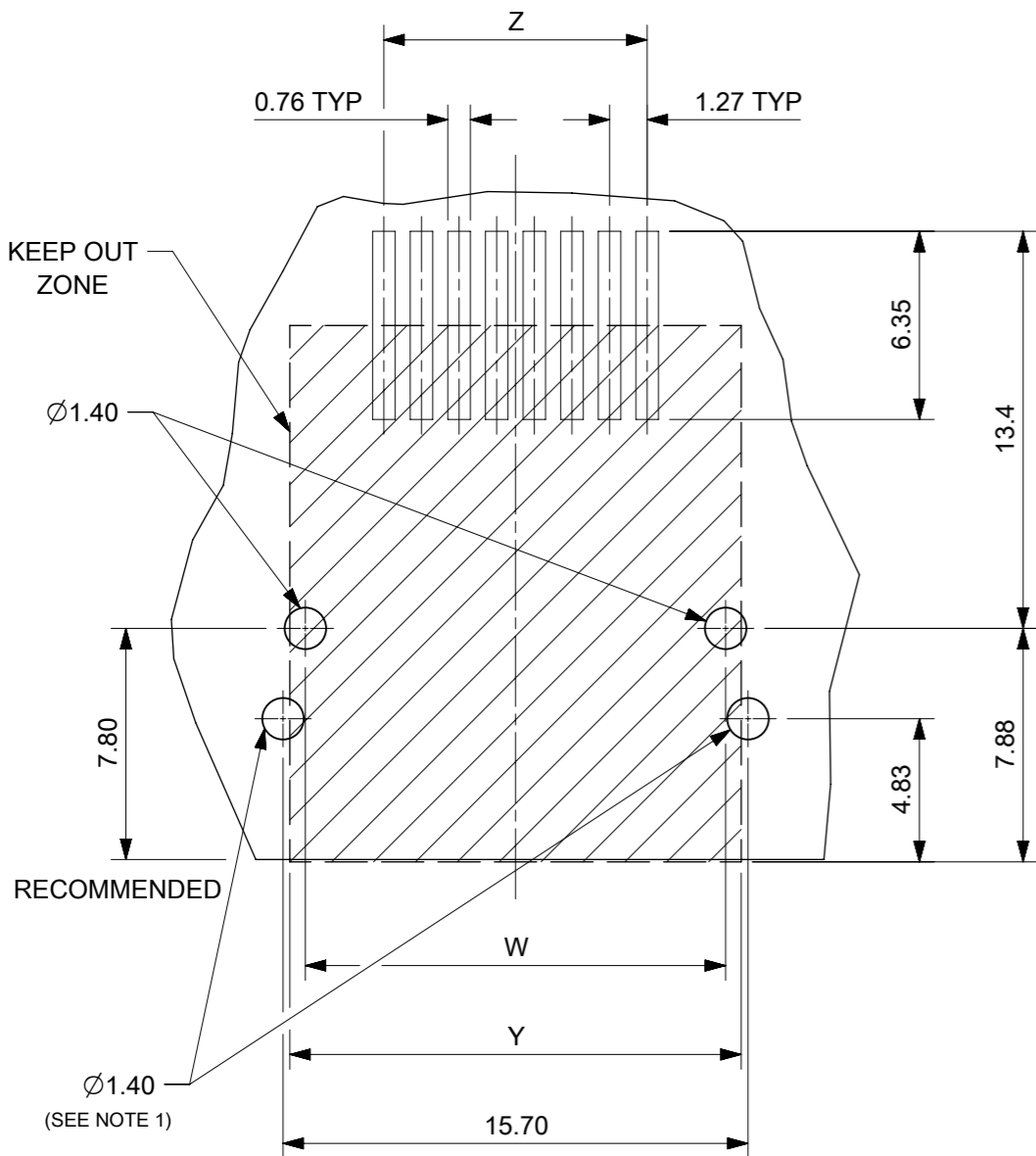
12

12.7

10

THIS DRAWING CONTAINS INFORMATION THAT IS PROPRIETARY TO MOLEX ELECTRONIC TECHNOLOGIES, LLC AND SHOULD NOT BE USED WITHOUT WRITTEN PERMISSION									
DIMENSION UNITS		SCALE		CURRENT REV DESC: REMASTERED USING 3D MODELS					
mm		5:1							
GENERAL TOLERANCES (UNLESS SPECIFIED)									
ANGULAR TOL ± 2.0°									
4 PLACES		±		EC NO: 686811					
3 PLACES		±		DRWN: AKUMAR19		2021/08/02			
2 PLACES		± 0.25		CHK'D: KLANG		2022/01/10			
1 PLACE		± 0.35		APPR: KLANG		2022/01/10			
0 PLACES		±		INITIAL REVISION:					
				DRWN: DBYRNES		2006/07/04			
				APPR: EOMAHONY		2006/07/07			
DRAFT WHERE APPLICABLE MUST REMAIN WITHIN DIMENSIONS				THIRD ANGLE PROJECTION		DRAWING		SERIES	
				A3-SIZE		85502		MATERIAL NUMBER	
				SEE CHART		GENERAL MARKET		CUSTOMER	
								SHEET NUMBER	
								1 OF 2	

- NOTES:  
 1. TWO OPTIONAL HOLES FOR THE 8 POSITION - VERSION FOR THE COMPABILITY WITH THE INTERNAL SHIELDED VERSION.  
 2. PLATING SEE SHEET 1.



P.C.B. MOUNTING PATTERNS (THROUGH HOLE SOLDER LEGS VERSION)  
 VIEW FROM COMPONENT SIDE (SCALE 4:1)  
 ALL DIMENSIONS REF DIMENSIONS

	PART NUMBERS FOR SMT JACK WITH THROUGH HOLE SOLDER PEGS								
	HOUSING COLOR	POS. 4 4 CKTS.	TOOLED	POS. 6 4 CKTS.	TOOLED	POS. 6 6 CKTS.	TOOLED	POS. 8 8 CKTS.	TOOLED
STANDARD VERSION	BLACK	85502-5009	X	85502-5010	X	85502-5011	X	85502-5012	X

DIM. \ TYPE	POS. 4	POS. 6		POS. 8
	4 CKTS.	4 CKTS.	6 CKTS.	8 CKTS.
A ± 0.15	3.81	3.81	6.35	8.89
B	11.18	13.21	13.21	15.24
C (REF)	8.50	8.50	8.50	12.00
E	11.08	13.11	13.11	15.14
W ± 0.05	10.13	12.16	12.16	14.19
Y (REF)	11.18	13.21	13.21	15.24
Z ± 0.05	3.81	3.81	6.35	8.89

THIS DRAWING CONTAINS INFORMATION THAT IS PROPRIETARY TO MOLEX ELECTRONIC TECHNOLOGIES, LLC AND SHOULD NOT BE USED WITHOUT WRITTEN PERMISSION									
DIMENSION UNITS <b>mm</b>	SCALE <b>5:1</b>	CURRENT REV DESC: REMASTERED USING 3D MODELS							
GENERAL TOLERANCES (UNLESS SPECIFIED)		EC NO: 686811							
ANGULAR TOL	± 2.0 °	DRWN: AKUMAR19 2021/08/02			<b>RIGHT ANGLE LOW PROFILE SMT PC JACK WITH THROUGH HOLE SOLDER PEGS</b>				
4 PLACES	±	CHK'D: KLANG 2022/01/10							
3 PLACES	±	APPR: KLANG 2022/01/10			<b>PRODUCT CUSTOMER DRAWING</b>				
2 PLACES	± 0.25	INITIAL REVISION:							
1 PLACE	± 0.35	DRWN: DBYRNES 2006/07/04			DOCUMENT NUMBER		DOC TYPE	DOC PART	REVISION
0 PLACES	±	APPR: EOMAHONY 2006/07/07			SD-85502-103		PSD	002	E2
DRAFT WHERE APPLICABLE MUST REMAIN WITHIN DIMENSIONS		THIRD ANGLE PROJECTION	DRAWING	SERIES	MATERIAL NUMBER	CUSTOMER		SHEET NUMBER	
			A3-SIZE	85502	SEE CHART	GENERAL MARKET		2 OF 2	