

PART NO.	ENGINEERING NO.	FINISHED LENGTH
1300622001	104007K31M020	2M (6' 7")
1300622002	104007K31M030	3M (9' 10")

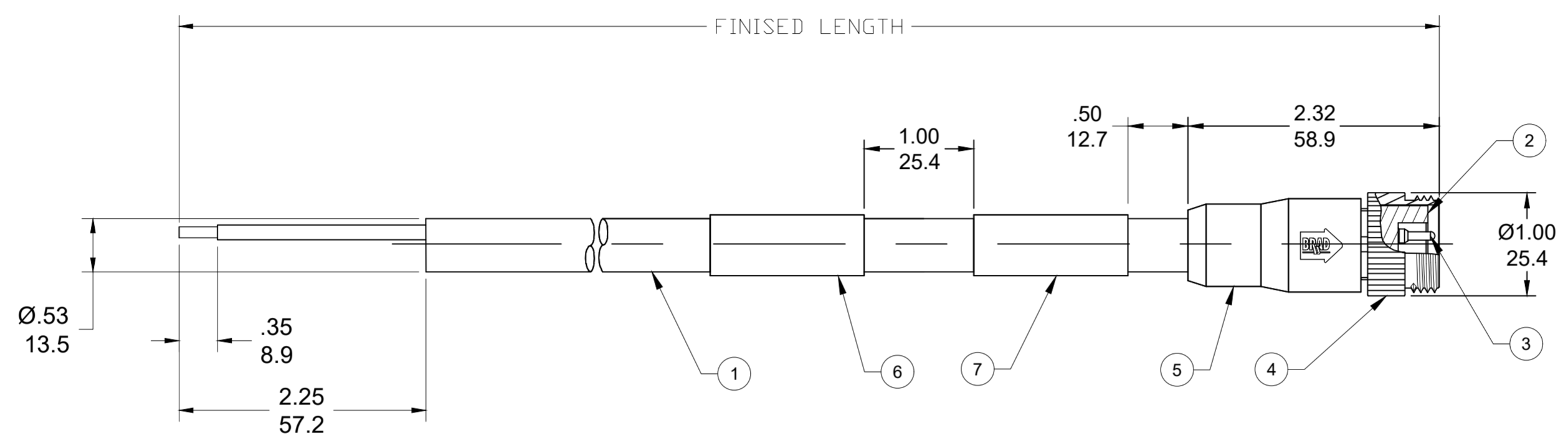
### PART NUMBER LEGEND

104007K31M020

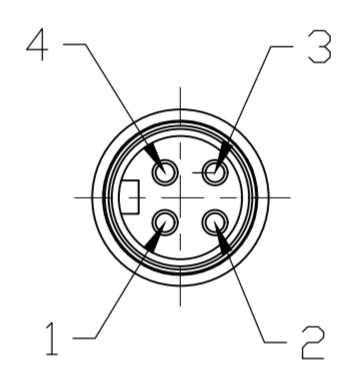
CABLE TYPE  
16/4 TC-ER  
TPE SHLD FLEX

FINISHED LENGTH:  
M005= 0.5 METER  
M010= 1 METER  
M100= 10 METER

CABLE LENGTH TOLERANCES	
>.3M [1FT]:	+19mm-0 [ +.75in-0]
.3 - .9M [1 - 3FT]:	+44.5mm-0 [+1.75in-0]
.9 - 1.8M [3 - 6FT]:	+55.6mm-0 [+2.19in-0]
1.8 - 3.7M [6 - 12FT]:	+88.9mm-0 [+3.50in-0]
3.7 - 7.3M [12 - 24FT]:	+165.1mm-0 [+6.50in-0]
7.3-14.6M [24 - 48FT]:	+317.5mm-0 [+12.50in-0]
14.6 - 30.5M [48-100FT]:	+622.3mm-0 [+24.50in-0]
OVER 30M [100FT]:	+2% OF FINISHED LENGTH

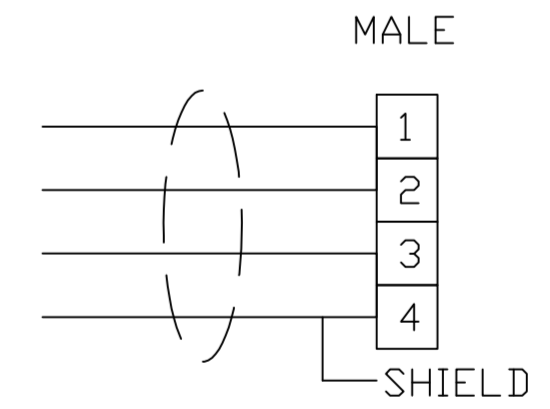


#### MALE FACE VIEW



- 1 BLACK #1
- 2 BLACK #2
- 3 BLACK #3
- 4 GREEN/YELLOW

- NOTES:**
- MATERIAL: AS NOTED
  - FINISH: AS NOTED
  - ELECTRICAL:  
VOLTAGE: 483 PER IEC 60664  
600 PER UL 2237  
CURRENT: 10A
  - TEMP RATING: -25° TO +90°C
  - PROTECTION: IP67 (WHEN MATED)
  - COUPLING THREAD: 7/8-16 UN
  - CABLE FLEX CYCLE RATING: 10 MILLION
  - AGENCY APPROVAL: UL 2237 PENDING
  - ALL DIMS ARE FOR REFERENCE UNLESS TOLERANCED OR NOTED OTHERWISE



#### WIRE DIAGRAM

ITEM	DESCRIPTION	MATERIAL	FINISH
7	WARNING LABEL	VINYL	BLACK/ORANGE
6	WRAP LABEL	VINYL	BLACK/YELLOW
5	OVERMOLD	TPE	GRAY
4	COUPLING, MALE	ZINC DIE CAST	BLACK
3	CONTACT PIN	COPPER ALLOY	GOLD PLATED
2	MALE INSERT (A-SIZE)	TPE	BLACK
1	CABLE, 16AWG VFD (FLEX)	TPE JACKET	BLACK

SYMBOLS	THIS DRAWING CONTAINS INFORMATION THAT IS PROPRIETARY TO MOLEX ELECTRONIC TECHNOLOGIES, LLC AND SHOULD NOT BE USED WITHOUT WRITTEN PERMISSION			
	DIMENSION UNITS	SCALE	CURRENT REV DESC: RELEASED	
▽ = 0	INCH	1:1	<p><b>molex</b></p> <p>BRAD POWER CABLE ASSY.</p> <p>4P MALE STR 16AWG BLACK TPE VFD</p>	
▽ = 0	GENERAL TOLERANCES (UNLESS SPECIFIED)			
▽ = 0	mm	INCH		
▽ = 0	4 PLACES ±----	±----		
▽ = 0	3 PLACES ±----	±----	EC NO: 625034	
▽ = 0	2 PLACES ±----	±----	DRWN: RSTONE 2019/10/01	
▽ = 1	1 PLACE ±----	±----	CHK'D: CCHRSTKA 2019/10/03	
▽ = 0	0 PLACES ±----	±----	APPR: BWOODMAN 2019/10/05	
▽ = 0	ANGULAR TOL ± ---- °		INITIAL REVISION:	
▽ = 0	DRAFT WHERE APPLICABLE MUST REMAIN WITHIN DIMENSIONS	THIRD ANGLE PROJECTION	DRWN: RSTONE 2019/10/01	
▽ = 0		DRAWING	APPR: BWOODMAN 2019/10/05	
DOCUMENT STATUS		P1	RELEASE DATE	2019/10/05 15:43:45
DOCUMENT NUMBER		1300622001	DOC TYPE	PSD
CUSTOMER		SEE P/N CHART	DOC PART	000
SHEET NUMBER		1 OF 1	REVISION	A