

# READERS WITH BICOLOR LED

## CZ-2 (xxx)



**Plastic casing with a chromium plated ring and built-in bicolor LED ; Additional available in a stainless steel version [SUS316]  
Standard wire length – 40 cm ; Chromium plated version is not suitable for hard environment conditions**

### Wires:

**white wire- ibutton 1 wire signal**

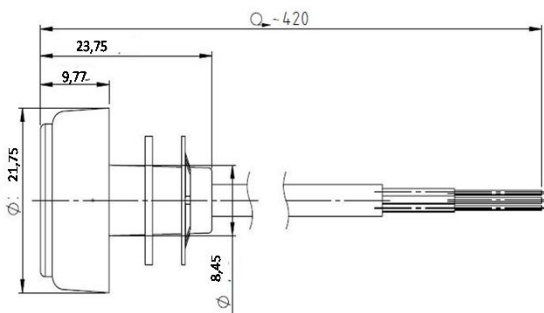
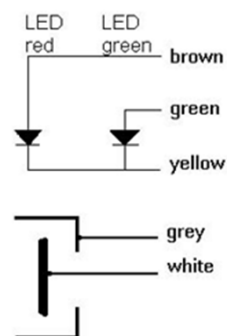
**grey wire - GND**

**connection for built-in LED's with common cathode:**

**brown wire – red LED anode**

**green wire – green LED anode**

**yellow wire – LED's common cathode**



### Technical Data

The reader is designed to work with Maxim Dallas chips series DS19xx

1. Max voltage on readers contact	12V
2. Max LED power supply	1,8 V
3. Max electricity consumption	25mA
4. Application	Access control device
5. Casing	plastic
6. Ring material	Ferrite steel + Cu + Ni + Cr+3
7. Signal joint material	Brass + Ni +Cr+3
8. Cable	5*0,14mm2
9. Fastening method	retaining ring
10. LED	Kingbright KPB-3025SURKCGKC
11. Work environment	Residential, commercial and lightly industrial
12. Working temperature	-40 °C do +85 °C
13. Humidity	Up to 70%