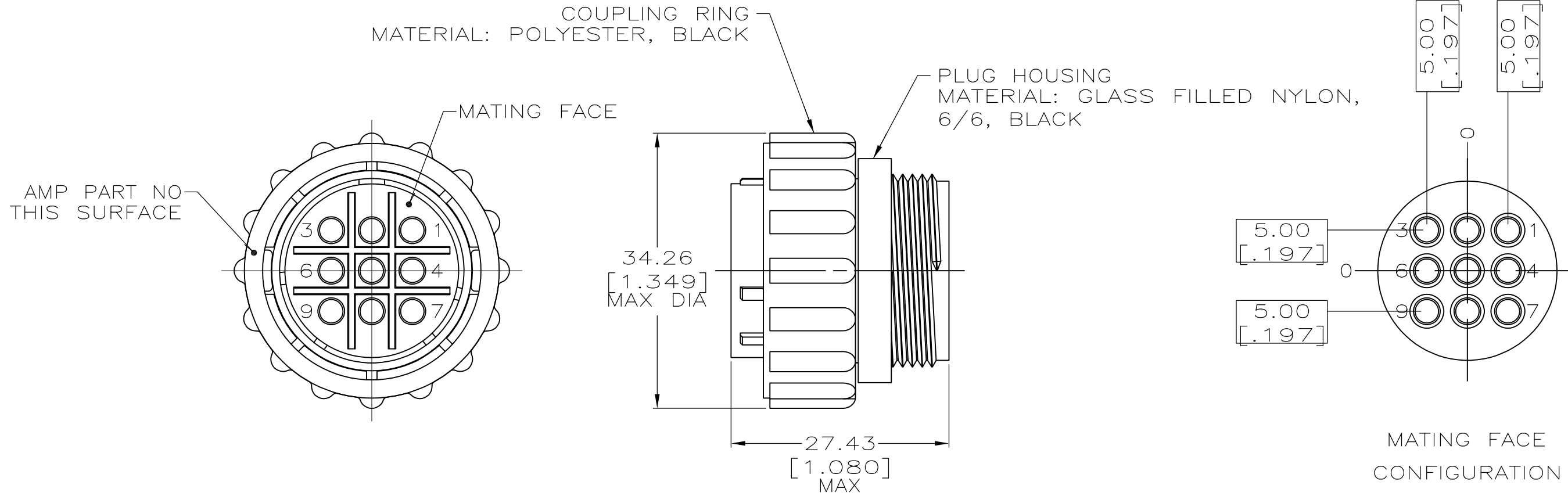


LOC	DIST	REVISIONS					
FT	4	P	LTR	DESCRIPTION	DATE	DWN	APVD
			C1	REVISED PER ECO-11-004820	11MAR11	RK	HMR



- CONTACT CAVITIES IDENTIFIED BY CHARACTERS ON FRONT AND REAR FACES OF CONNECTOR.
- THIS PART WILL ACCEPT 9 MULTIMATE SOCKET CONTACTS.

211766-1
PART NO

THIS DRAWING IS A CONTROLLED DOCUMENT.		DWN K.FOLTZ 06/29/94		
DIMENSIONS: mm [INCHES]		CHK R.STONE 06/30/94		
TOLERANCES UNLESS OTHERWISE SPECIFIED:		APVD A.FRANTUM 10/3/94	NAME PLUG ASSY, SPECIAL VDE, CLASS A, STD SEX, ARRANGEMENT 17-9, CPC	
		PRODUCT SPEC -	RESTRICTED TO -	
MATERIAL SEE CALLOUTS		FINISH -	APPLICATION SPEC -	WEIGHT -
		SIZE A3	CAGE CODE 00779	DRAWING NO C-211766
		CUSTOMER DRAWING		SCALE 2:1
		SHEET 1 of 1		REV C1