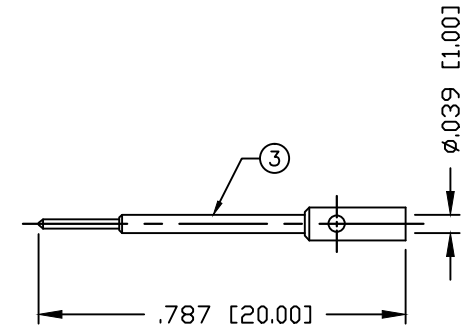
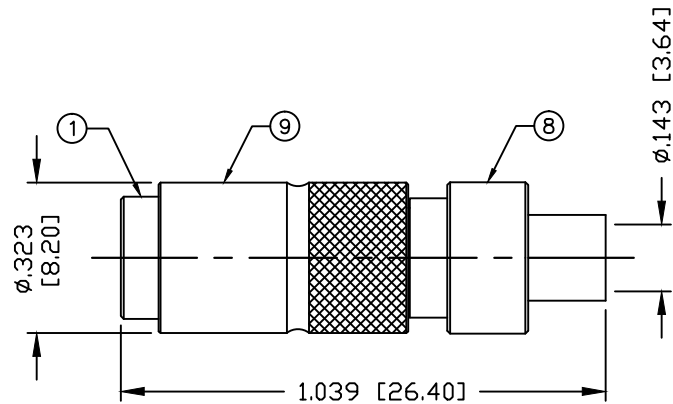
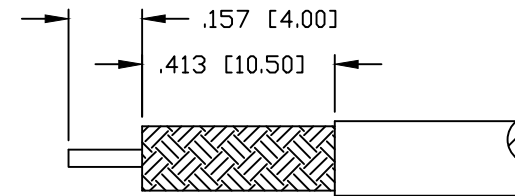


PART NO.

RF123-7003-4SR2

REV	DESCRIPTION	DWN	DATE	APPROVED
-	ENGINEERING RELEASE	CZS	07/17/17	JDMc

SOLDER ONLYRECOMMENDED STRIPPING DIMENSIONSSPECIFICATIONS:

IMPEDANCE: 50 Ohms
 FREQUENCY RANGE: 0-3 GHz
 RETURN LOSS: 18dB THRU 3 GHz
 PIM: ≤ -160 dBc
 INSERTION LOSS(dB): $1.1 \times \sqrt{f(\text{GHz})}$ MAX
 WORKING VOLTAGE: 250 V rms @ sea level
 TEMPERATURE RANGE: -65°C TO 155°C
 INSULATION RESISTANCE: 5k M Ohms min.
 FOR .141, RG-402/U, TFT-402LF

9	SHELL	1	BRASS	WHITE BRONZE
8	PRESS BODY	1	BRASS	WHITE BRONZE
7	RING	1	BRASS	WHITE BRONZE
6	GROUND RING	1	BeCu	WHITE BRONZE
5	SPRING	1	SS	----
4	BALL	1	SS	----
3	PIN	1	BRASS	SILVER
2	INSULATOR	1	PTFE	----
1	BODY	1	BRASS	WHITE BRONZE
#	DESCRIPTION	QTY	MATERIAL	FINISH

CUSTOMER
OUTLINE DRAWINGALL DIMENSIONS
ARE REFERENCE ONLYUNLESS OTHERWISE SPECIFIED:
DIMENSIONS ARE IN INCHES
AND [MILLIMETERS]DRAWN
C. ZUNIGA 07/17/17
CHECKEDORJ DRAWN
C. ZUNIGA 07/17/17**RoHS
COMPLIANT**

PROPRIETARY AND CONFIDENTIAL
 THIS DRAWING CONTAINS
 INFORMATION PROPRIETARY TO
 RF INDUSTRIES, ANY
 UNAUTHORIZED USE OF THIS
 DRAWING IS EXPRESSLY
 PROHIBITED WITHOUT WRITTEN
 PERMISSION FROM RF
 INDUSTRIES. ANY VIOLATION IS
 PUNISHABLE UNDER U.S.
 COPYRIGHT LAWS.

RFconnectors

7610 MIRAMAR RD.
 SAN DIEGO, CA 92126
 (858) 549-6340
 DIVISION OF RF INDUSTRIES, LTD. (858) 549-6345 FAX

1.0/2.3 PUSH-PULL PLUG

SIZE	CABLE GROUP	DWG NO.	REV
A	N/A	RF123-7003-4SR2	—
SCALE:	ENGINEERING ID:	SHEET 1 OF 1	
NTS	001808		