

THIS DRAWING IS UNPUBLISHED.

RELEASED FOR PUBLICATION

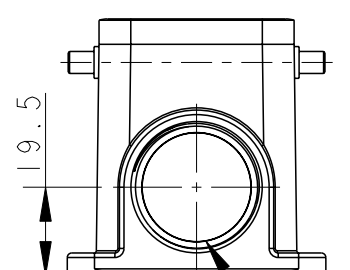
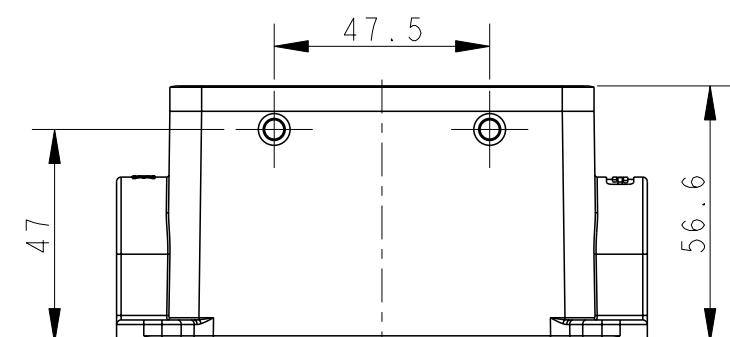
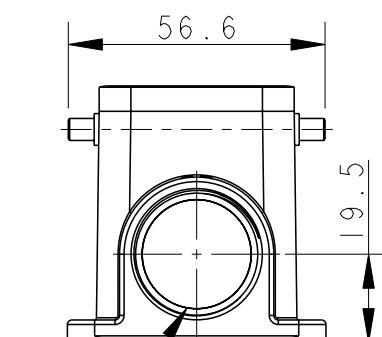
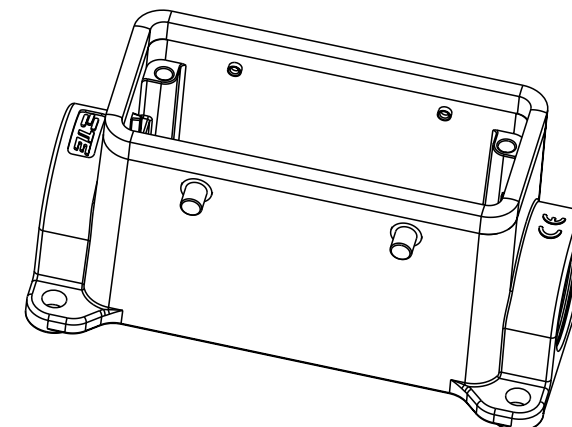
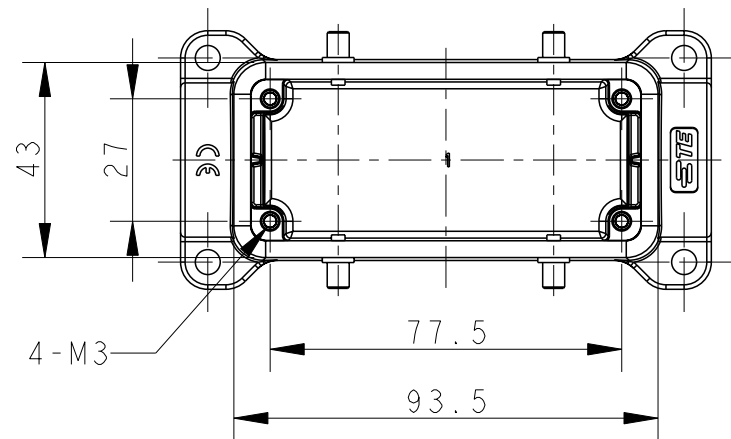
20

© COPYRIGHT 20 BY -

ALL RIGHTS RESERVED.

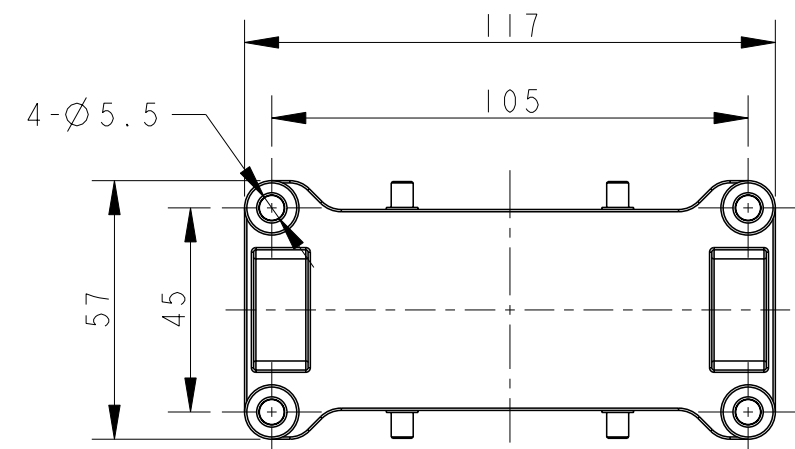
REVISIONS

P	LTR	DESCRIPTION	DATE	DWN	APVD
A		INITIAL RELEASE	05JUL2015	DL	CW
B		ECR-20-008190	09SEP2020	WQR	CW



NOTES:
 1. TECHNICAL CHARACTERISTICS:
 BODY MATERIAL: DIE CAST ALUMINIUM ALLOY
 SURFACE TREATMENT: POWDER-COATED, GRAY
 DEGREE OF PROTECTION: IP65 (MATED)

注释:
 1. 技术参数:
 主体材料: 铝合金
 表面处理: 粉末喷涂, 灰色
 防护等级: IP65(配合)



TI450160121-000	HI6B-SGR-BO-PG21	PG21	-
TI450160125-000	HI6B-SGR-BO-M25	M25	-
TI450160221-000	HI6B-SGR-BO-2PG21	PG21	PG21
TI450162125-000	HI6B-SGR-BO-PG21/M25	PG21	M25
ASSEMBLY PART NUMBER	ASSEMBLY PART DESCRIPTION	IG1	IG2

THIS DRAWING IS A CONTROLLED DOCUMENT.		DWN 05JUL2015 DAVID LI												
DIMENSIONS: mm		CHK 05JUL2015 CHRIS WANG			NAME HI6B-SGR-BO-PG/M									
TOLERANCES UNLESS OTHERWISE SPECIFIED:		APVD 05JUL2015 XU XIANG												
<table border="0"> <tr><td>0 PLC</td><td>±-</td></tr> <tr><td>1 PLC</td><td>±-</td></tr> <tr><td>2 PLC</td><td>±-</td></tr> <tr><td>3 PLC</td><td>±-</td></tr> <tr><td>4 PLC</td><td>±-</td></tr> <tr><td>ANGLES</td><td>±-</td></tr> </table>		0 PLC			±-	1 PLC	±-	2 PLC	±-	3 PLC	±-	4 PLC	±-	ANGLES
0 PLC	±-													
1 PLC	±-													
2 PLC	±-													
3 PLC	±-													
4 PLC	±-													
ANGLES	±-													
MATERIAL		APPLICATION SPEC 114-137013	SIZE A3	CAGE CODE -	DRAWING NO C-TI45016XXXX000	RESTRICTED TO								
		WEIGHT -	SCALE 3:5		SHEET 1 OF 1	REV B								
		CUSTOMER DRAWING												

printed on 14 Apr 2021 13:34 (China Standard Time) from TE343646