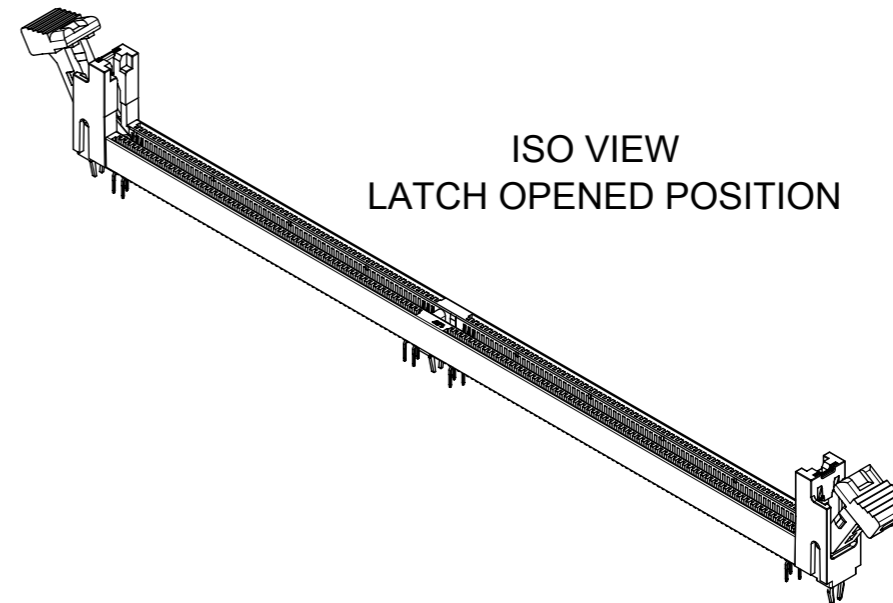
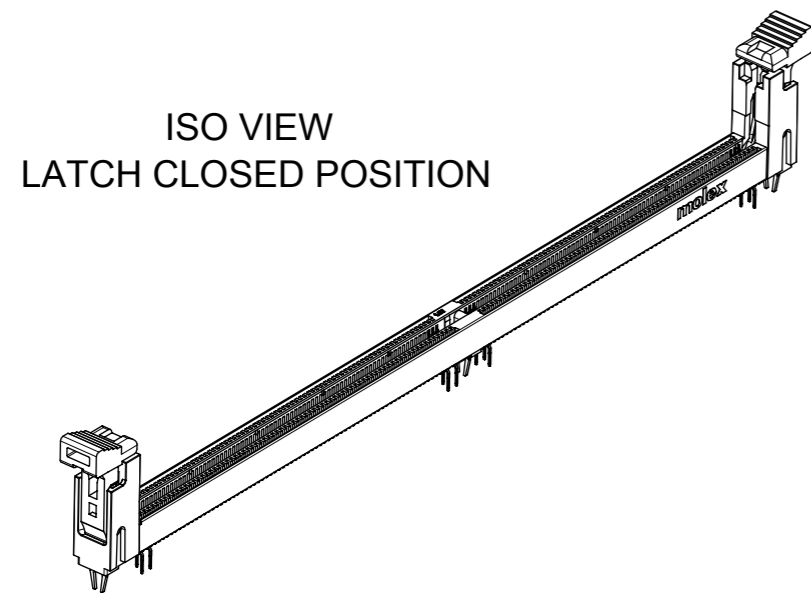
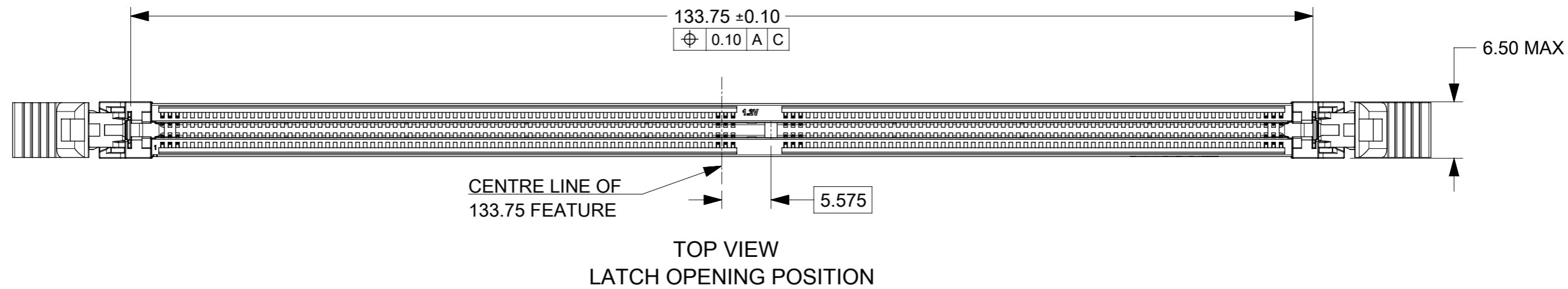


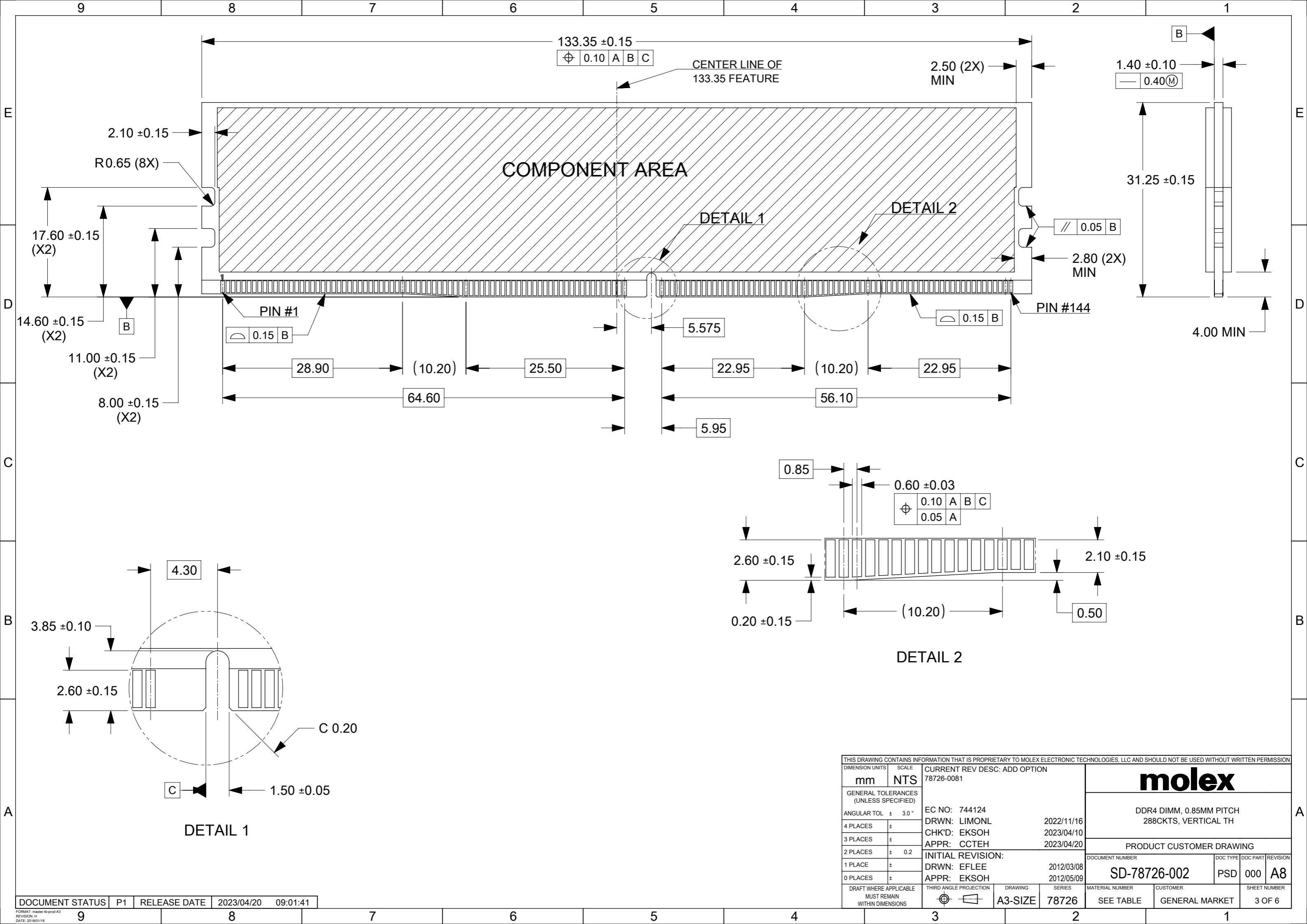
- NOTES:**
- MATERIAL : HOUSING - HALOGEN FREE HIGH TEMP POLYAMIDE, GLASS FILLED, UL94V-0.
COLOUR : SEE TABLE ON SHEET 5.
LATCH - HALOGEN FREE HIGH TEMP POLYAMIDE, GLASS FILLED, UL94V-0.
COLOUR : SEE TABLE ON SHEET 5.
TERMINAL : COPPER ALLOY.
FORKLOCK: COPPER ALLOY.
 - FINISHES - SEE TABLE ON SHEET 5.
 - PRODUCT SPECIFICATION : SEE TABLE ON SHEET 5.
 - PACKAGING SPECIFICATION: PRODUCT SHALL BE PACKED IN TRAY, SEE SHEET 5
 - CARD SLOT ACCEPTS 1.40±0.10MM MODULE THICKNESS (MEASURED OVER P.C. PADS).
 - MOLEX LOGO, DATE & PART NO. INDICATED ON HOUSING.
 - MODULE SEATING PLANE.
 - KEEP OUT ZONE RESERVED FOR LATCH.
 - KEEP OUT AREA IS THE AREA WHERE THE CONNECTOR (INCLUDES LATCHES IN OPENING POSITION) IS MOUNTED ON THE PCB.
 - REFER TO AS-78726-001 FOR CONNECTOR APPLICATION GUIDELINE.
 - REFER TO AS-78726-002 FOR PCB ROUTING RECOMMENDATIONS.

THIS DRAWING CONTAINS INFORMATION THAT IS PROPRIETARY TO MOLEX ELECTRONIC TECHNOLOGIES, LLC AND SHOULD NOT BE USED WITHOUT WRITTEN PERMISSION													
DIMENSION UNITS		SCALE		CURRENT REV DESC: ADD OPTION						molex		DDR4 DIMM, 0.85MM PITCH 288CKTS, VERTICAL TH	
mm		NTS		78726-0081									
GENERAL TOLERANCES (UNLESS SPECIFIED)													
ANGULAR TOL		± 3.0°		EC NO: 744124		2022/11/16		PRODUCT CUSTOMER DRAWING					
4 PLACES		±		DRWN: LIMONL		2023/04/10							
3 PLACES		±		CHK'D: EKSOH		2023/04/20							
2 PLACES		± 0.2		INITIAL REVISION:				DOCUMENT NUMBER		DOC TYPE			
1 PLACE		±		DRWN: EFLEE		2012/03/08		SD-78726-002		PSD			
0 PLACES		±		APPR: EKSOH		2012/05/09		000		A8			
DRAFT WHERE APPLICABLE MUST REMAIN WITHIN DIMENSIONS				THIRD ANGLE PROJECTION		DRAWING		SERIES		SHEET NUMBER			
				A3-SIZE		78726		SEE TABLE		GENERAL MARKET			
MATERIAL NUMBER		CUSTOMER		DATE		TIME		REV		SHEET			
SEE TABLE		GENERAL MARKET		2023/04/20		09:01:41		000		1 OF 6			



THIS DRAWING CONTAINS INFORMATION THAT IS PROPRIETARY TO MOLEX ELECTRONIC TECHNOLOGIES, LLC AND SHOULD NOT BE USED WITHOUT WRITTEN PERMISSION									
DIMENSION UNITS	SCALE	CURRENT REV DESC: ADD OPTION			molex				
mm	NTS	78726-0081							
GENERAL TOLERANCES (UNLESS SPECIFIED)					DDR4 DIMM, 0.85MM PITCH 288CKTS, VERTICAL TH				
ANGULAR TOL	±	3.0°	EC NO: 744124		PRODUCT CUSTOMER DRAWING				
4 PLACES	±		DRWN: LIMONL 2022/11/16		DOCUMENT NUMBER				
3 PLACES	±		CHK'D: EKSOH 2023/04/10		SD-78726-002				
2 PLACES	±	0.2	APPR: CTEH 2023/04/20		DOC TYPE				
1 PLACE	±		INITIAL REVISION:		PSD				
0 PLACES	±		DRWN: EFLEE 2012/03/08		DOC PART				
DRAFT WHERE APPLICABLE MUST REMAIN WITHIN DIMENSIONS			APPR: EKSOH 2012/05/09		REVISION				
THIRD ANGLE PROJECTION			DRAWING		SERIES		MATERIAL NUMBER		CUSTOMER
			A3-SIZE		78726		SEE TABLE		GENERAL MARKET
SHEET NUMBER			2 OF 6						

DOCUMENT STATUS	P1	RELEASE DATE	2023/04/20	09:01:41
-----------------	----	--------------	------------	----------



9
8
7
6
5
4
3
2
1

E
D
C
B
A

DOCUMENT STATUS | P1 | RELEASE DATE | 2023/04/20 09:01:41

FORMAT: master-ib-prod-A3
 REVISION: 31
 DATE: 2018/01/18

133.35 ± 0.15
 $\oplus 0.10$ A B C
 CENTER LINE OF 133.35 FEATURE
 2.50 (2X) MIN
 2.10 ± 0.15
 R0.65 (8X)
 17.60 ± 0.15 (X2)
 14.60 ± 0.15 (X2)
 11.00 ± 0.15 (X2)
 8.00 ± 0.15 (X2)
 PIN #1
 0.15 B
 28.90
 (10.20)
 25.50
 64.60
 5.575
 (10.20)
 22.95
 56.10
 5.95
 0.15 B
 2.80 (2X) MIN
 PIN #144
 4.00 MIN
 0.05 B
 0.40 (M)

0.85
 0.60 ± 0.03
 $\oplus 0.10$ A B C
 $\oplus 0.05$ A
 2.60 ± 0.15
 0.20 ± 0.15
 (10.20)
 2.10 ± 0.15
 0.50
 DETAIL 2

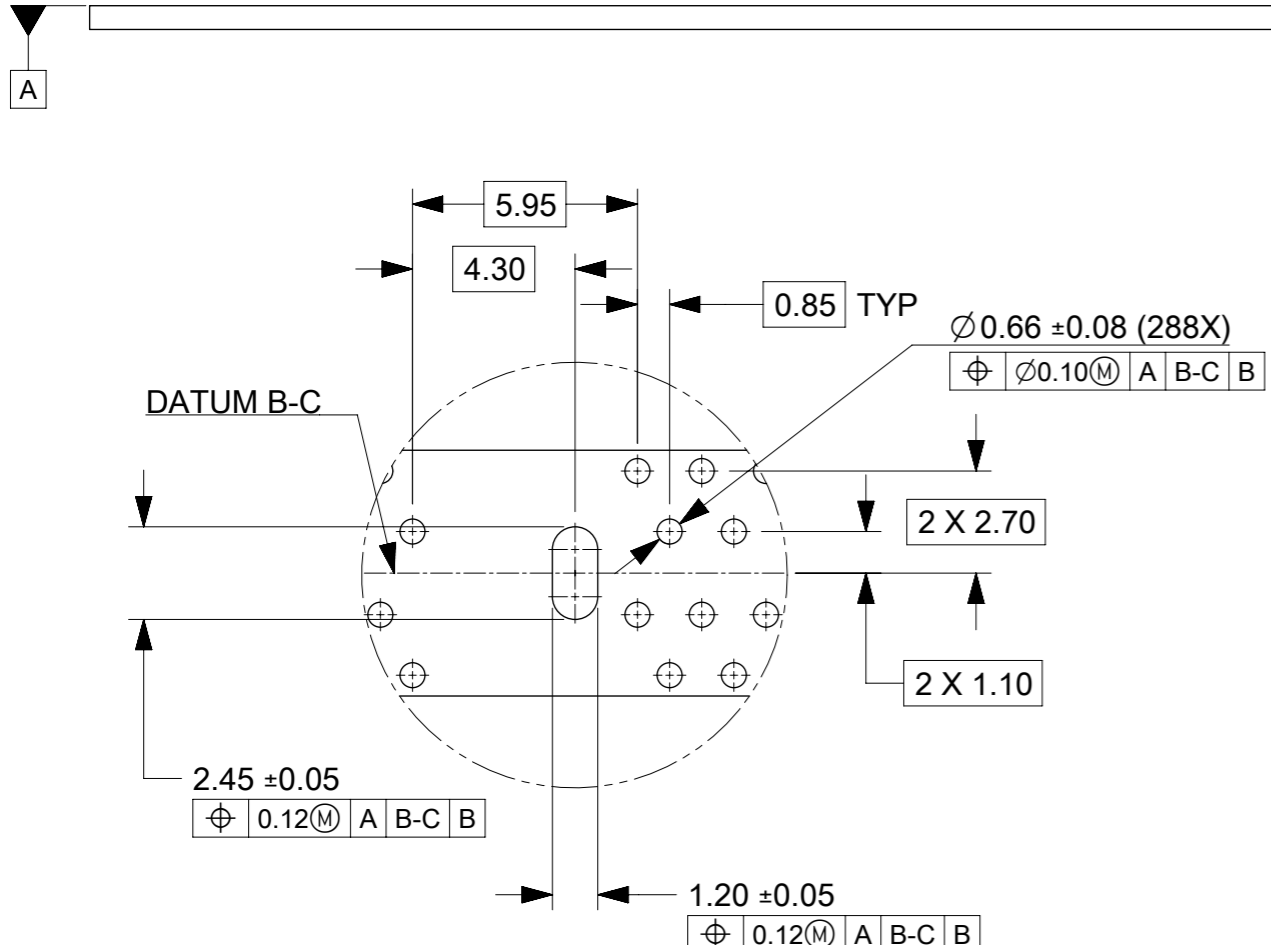
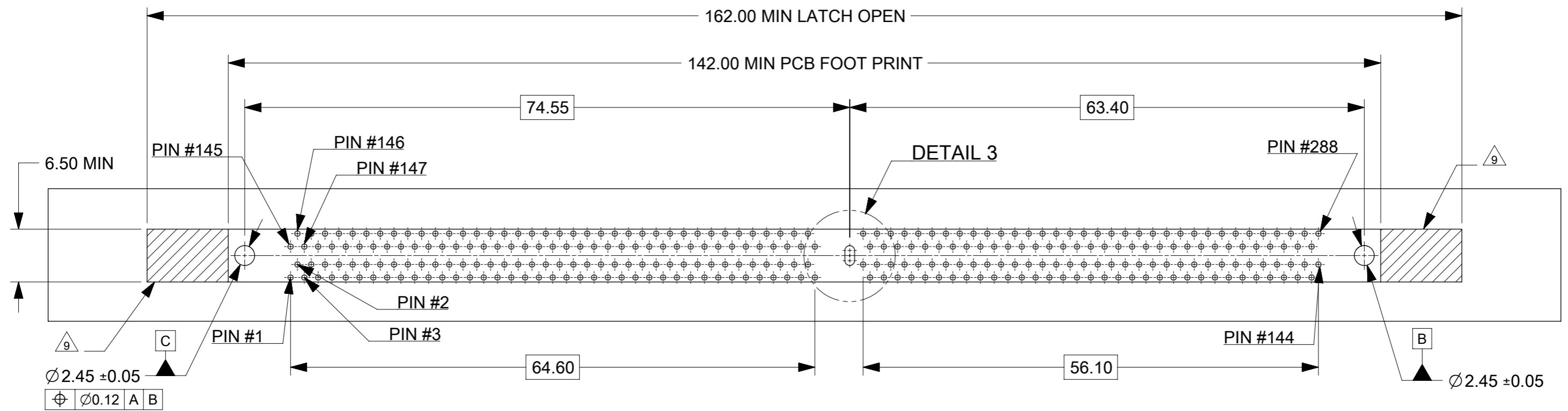
4.30
 3.85 ± 0.10
 2.60 ± 0.15
 C 0.20
 1.50 ± 0.05
 DETAIL 1

THIS DRAWING CONTAINS INFORMATION THAT IS PROPRIETARY TO MOLEX ELECTRONIC TECHNOLOGIES, LLC AND SHOULD NOT BE USED WITHOUT WRITTEN PERMISSION		CURRENT REV DESC: ADD OPTION			
DIMENSION UNITS	SCALE	78726-0081			
mm	NTS			DDR4 DIMM, 0.85MM PITCH 288CKTS, VERTICAL TH	
GENERAL TOLERANCES (UNLESS SPECIFIED)		EC NO: 744124		PRODUCT CUSTOMER DRAWING	
ANGULAR TOL	$\pm 3.0^\circ$	DRWN: LIMONL	2022/11/16	DOCUMENT NUMBER	DOC TYPE
4 PLACES	\pm	CHK'D: EKSOH	2023/04/10	SD-78726-002	PSD
3 PLACES	\pm	APPR: CTEH	2023/04/20	DOC PART	000
2 PLACES	± 0.2	INITIAL REVISION:		REVISION	A8
1 PLACE	\pm	DRWN: EFLEE	2012/03/08	MATERIAL NUMBER	
0 PLACES	\pm	APPR: EKSOH	2012/05/09	CUSTOMER	
DRAFT WHERE APPLICABLE MUST REMAIN WITHIN DIMENSIONS		THIRD ANGLE PROJECTION	DRAWING	SERIES	SHEET NUMBER
			A3-SIZE	78726	3 OF 6

SEE TABLE | GENERAL MARKET

9
8
7
6
5
4
3
2
1

E
D
C
B
A



THIS DRAWING CONTAINS INFORMATION THAT IS PROPRIETARY TO MOLEX ELECTRONIC TECHNOLOGIES, LLC AND SHOULD NOT BE USED WITHOUT WRITTEN PERMISSION											
DIMENSION UNITS		SCALE		CURRENT REV DESC: ADD OPTION				molex		DDR4 DIMM, 0.85MM PITCH 288CKTS, VERTICAL TH	
mm		NTS		78726-0081							
GENERAL TOLERANCES (UNLESS SPECIFIED)											
ANGULAR TOL		±		3.0°				EC NO: 744124		2022/11/16	
4 PLACES		±						DRWN: LIMONL		2023/04/10	
3 PLACES		±						CHK'D: EKSOH		2023/04/20	
2 PLACES		±		0.2				APPR: CTEH		2023/04/20	
1 PLACE		±						INITIAL REVISION:			
0 PLACES		±						DRWN: EFLEE		2012/03/08	
								APPR: EKSOH		2012/05/09	
DRAFT WHERE APPLICABLE MUST REMAIN WITHIN DIMENSIONS			THIRD ANGLE PROJECTION		DRAWING		SERIES		MATERIAL NUMBER		
					A3-SIZE		78726		SEE TABLE		
DOCUMENT STATUS			P1		RELEASE DATE		2023/04/20 09:01:41		CUSTOMER		
									GENERAL MARKET		
									SHEET NUMBER		
									4 OF 6		

CKT SIZE	ASSEMBLY PART NO.	HOUSING COLOR	LATCH COLOR	DIM "P"	RECOMMENDED PCB THICKNESS	PLATING OPTION		PRODUCT SPEC. NO.	PACKAGING SPEC. NO.
						TERMINAL	FORKLOCK		
288	78726-1051	BLACK	BLACK	2.10	1.57	0.76 MICROMETER (30 MICROINCH) MIN GOLD ON CONTACT	1 MICROMETER (40 MICROINCH) MIN TIN OVERALL (PRE-PLATED)	PS-78726-001	PK-78726-001
	78726-1039			2.40	1.57				
	78726-1002			2.67	1.57				
	78726-1003			3.18	2.36				
	78726-1026			3.50	3.00				
	78726-1052	BLACK	WHITE	2.10	1.57				
	78726-1040			2.40	1.57				
	78726-1004			2.67	1.57				
	78726-1005			3.18	2.36				
	78726-1027			3.50	3.00				
	78726-1053	WHITE	BLACK	2.10	1.57				
	78726-1041			2.40	1.57				
	78726-1006			2.67	1.57				
	78726-1007			3.18	2.36				
	78726-1028			3.50	3.00				
	78726-1054	WHITE	WHITE	2.10	1.57				
	78726-1042			2.40	1.57				
	78726-1008			2.67	1.57				
	78726-1009			3.18	2.36				
	78726-1029			3.50	3.00				
	78726-1055	BLUE	BLUE	2.10	1.57				
	78726-1043			2.40	1.57				
	78726-1010			2.67	1.57				
	78726-1011			3.18	2.36				
	78726-1030			3.50	3.00				
	78726-1056	BLUE	WHITE	2.10	1.57				
	78726-1044			2.40	1.57				
	78726-1022			2.67	1.57				
	78726-1023			3.18	2.36				
	78726-1031			3.50	3.00				
	78726-1063	YELLOW	WHITE	2.10	1.57				
	78726-1064			2.40	1.57				
78726-1065	2.67			1.57					
78726-1066	3.18			2.36					
78726-1067	3.50			3.00					
78726-0081	BLACK	BLACK	3.18	2.36					
78726-3005		WHITE	3.18	2.36					
78726-3052		BLACK	2.10	1.57					
78726-4039		BLACK	2.40	1.57					
78726-4040		WHITE	2.40	1.57					

THIS DRAWING CONTAINS INFORMATION THAT IS PROPRIETARY TO MOLEX ELECTRONIC TECHNOLOGIES, LLC AND SHOULD NOT BE USED WITHOUT WRITTEN PERMISSION									
DIMENSION UNITS	SCALE	CURRENT REV DESC: ADD OPTION			molex				
mm	NTS	78726-0081							
GENERAL TOLERANCES (UNLESS SPECIFIED)		EC NO: 744124			DDR4 DIMM, 0.85MM PITCH 288CKTS, VERTICAL TH				
ANGULAR TOL	± 3.0°	DRWN: LIMONL 2022/11/16							
4 PLACES	±	CHK'D: EKSOH 2023/04/10			PRODUCT CUSTOMER DRAWING				
3 PLACES	±	APPR: CTEH 2023/04/20							
2 PLACES	± 0.2	INITIAL REVISION:			DOCUMENT NUMBER				
1 PLACE	±	DRWN: EFLEE 2012/03/08							
0 PLACES	±	APPR: EKSOH 2012/05/09			SD-78726-002				
DRAFT WHERE APPLICABLE MUST REMAIN WITHIN DIMENSIONS		THIRD ANGLE PROJECTION	DRAWING	SERIES					
			A3-SIZE	78726	SEE TABLE	GENERAL MARKET	5 OF 6		

CKT SIZE	ASSEMBLY PART NO.	HOUSING COLOR	LATCH COLOR	DIM "P"	RECOMMENDED PCB THICKNESS	PLATING OPTION		PRODUCT SPEC. NO.	PACKAGING SPEC. NO.
						TERMINAL	FORKLOCK		
288	78726-1057	BLACK	BLACK	2.10	1.57	0.38 MICROMETER (15 MICROINCH) MIN GOLD ON CONTACT	1 MICROMETER (40 MICROINCH) MIN TIN OVERALL (PRE-PLATED)	PS-78726-002	PK-78726-001
	78726-1045			2.40	1.57				
	78726-1012			2.67	1.57				
	78726-1013			3.18	2.36				
	78726-1032			3.50	3.00				
	78726-1058	BLACK	WHITE	2.10	1.57				
	78726-1046			2.40	1.57				
	78726-1014			2.67	1.57				
	78726-1015			3.18	2.36				
	78726-1033			3.50	3.00				
	78726-1059	WHITE	BLACK	2.10	1.57				
	78726-1047			2.40	1.57				
	78726-1016			2.67	1.57				
	78726-1017			3.18	2.36				
	78726-1034			3.50	3.00				
	78726-1060	WHITE	WHITE	2.10	1.57				
	78726-1048			2.40	1.57				
	78726-1018			2.67	1.57				
	78726-1019			3.18	2.36				
	78726-1035			3.50	3.00				
	78726-1061	BLUE	BLUE	2.10	1.57				
	78726-1049			2.40	1.57				
	78726-1020			2.67	1.57				
	78726-1021			3.18	2.36				
	78726-1036			3.50	3.00				
	78726-1062	BLUE	WHITE	2.10	1.57				
	78726-1050			2.40	1.57				
	78726-1024			2.67	1.57				
	78726-1025			3.18	2.36				
	78726-1037			3.50	3.00				
	78726-1068	YELLOW	WHITE	2.10	1.57				
	78726-1069			2.40	1.57				
	78726-1070			2.67	1.57				
78726-1071	3.18			2.36					
78726-1072	3.50			3.00					
78726-3012	BLACK	BLACK	2.67	1.57					
78726-3032			3.50	3.00					
78726-3020	BLUE	BLUE	2.67	1.57					
78726-3036			3.50	3.00					

0.38 MICROMETER (15 MICROINCH) MIN GOLD ON CONTACT

2.54 MICROMETER (100 MICROINCH) MIN TIN ON SOLDER TAILS

1.27 MICROMETER (50 MICROINCH) MIN NICKEL UNDERPLATE

THIS DRAWING CONTAINS INFORMATION THAT IS PROPRIETARY TO MOLEX ELECTRONIC TECHNOLOGIES, LLC AND SHOULD NOT BE USED WITHOUT WRITTEN PERMISSION									
DIMENSION UNITS	SCALE	CURRENT REV DESC: ADD OPTION			molex				
mm	NTS	78726-0081							
GENERAL TOLERANCES (UNLESS SPECIFIED)		EC NO: 744124			DDR4 DIMM, 0.85MM PITCH 288CKTS, VERTICAL TH				
ANGULAR TOL	± 3.0°	DRWN: LIMONL 2022/11/16							
4 PLACES	±	CHK'D: EKSOH 2023/04/10							
3 PLACES	±	APPR: CTEH 2023/04/20							
2 PLACES	± 0.2	INITIAL REVISION:			PRODUCT CUSTOMER DRAWING				
1 PLACE	±	DRWN: EFLEE 2012/03/08			DOCUMENT NUMBER		DOC TYPE	DOC PART	REVISION
0 PLACES	±	APPR: EKSOH 2012/05/09			SD-78726-002		PSD	000	A8
DRAFT WHERE APPLICABLE MUST REMAIN WITHIN DIMENSIONS		THIRD ANGLE PROJECTION	DRAWING	SERIES	MATERIAL NUMBER	CUSTOMER		SHEET NUMBER	
			A3-SIZE	78726	SEE TABLE	GENERAL MARKET		6 OF 6	