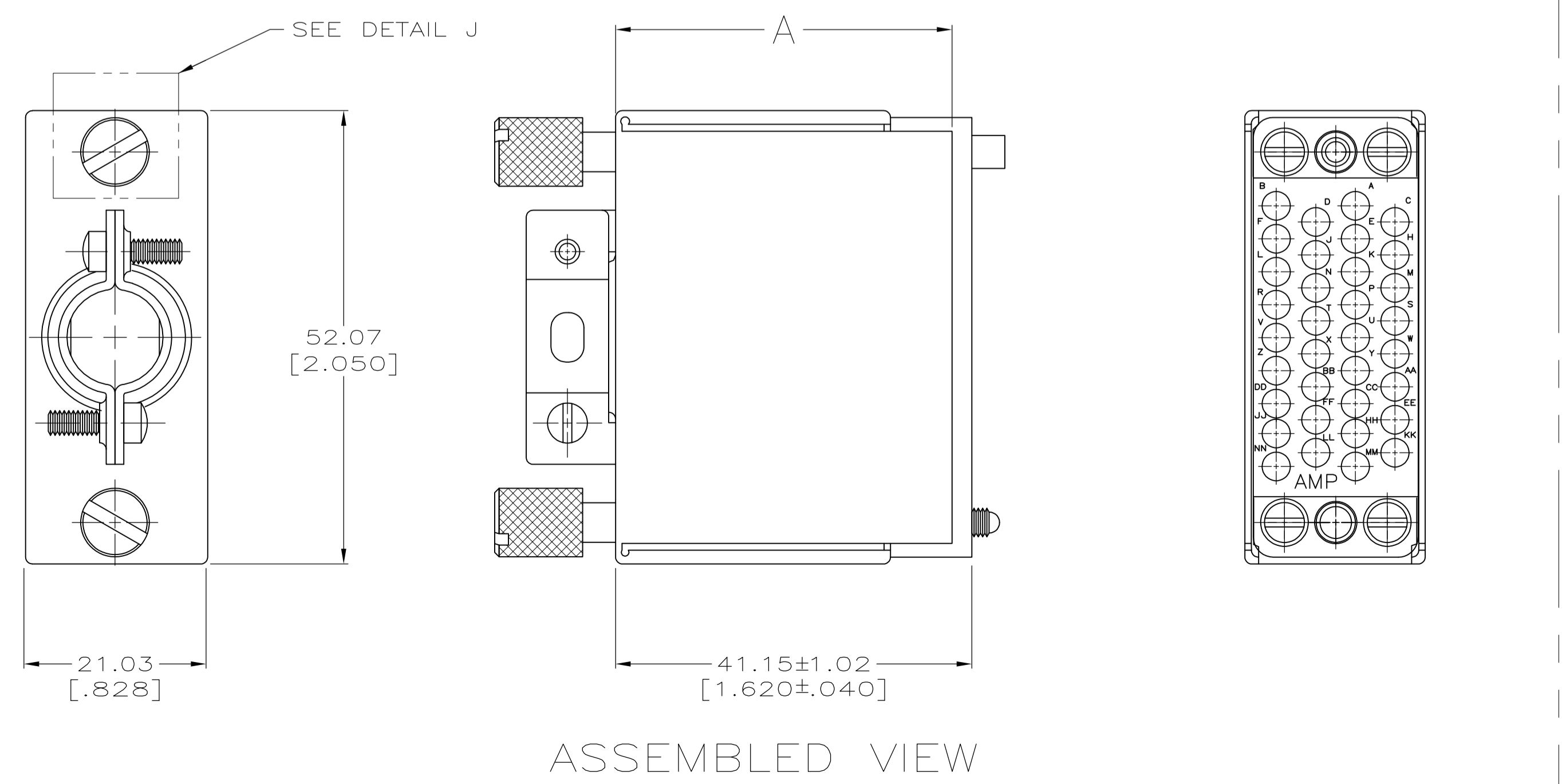
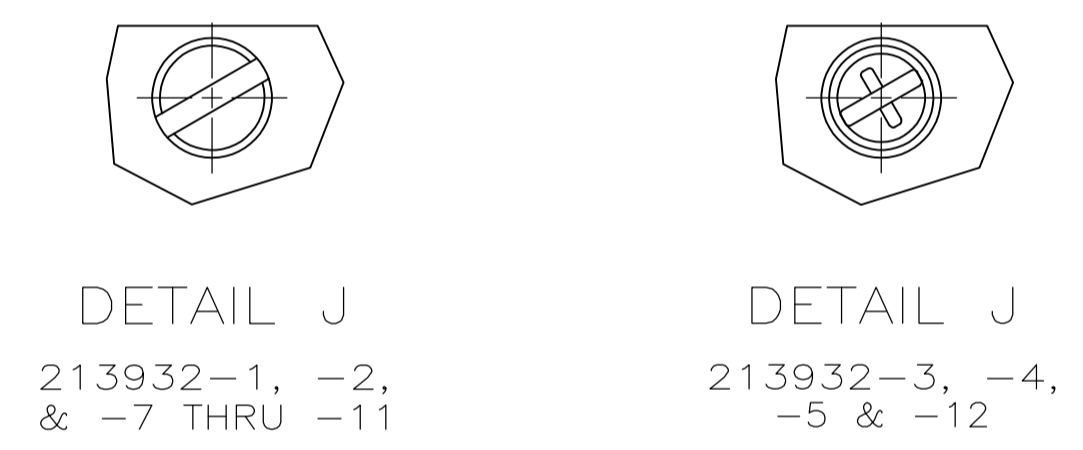


- 1 2.54μm [.000100] MIN NICKEL OVER
2.54μm [.000100] MIN COPPER.
- 2 OBSOLETE PARTS: OBSOLETE CIS STREAMLINING
PER D.RENAUD/D.SINISI



2	OBSOLETE	38.86 [1.530]	7.62-11.43 [.300-.450]	BULK	-	STAINLESS STEEL	1-213932-3
2	OBSOLETE	38.86 [1.530]	11.05-13.84 [.435-.545]	BULK	1	ZINC	1-213932-2
2	OBSOLETE	38.86 [1.530]	5.08-7.62 [.200-.300]	INDIVIDUAL	-	STAINLESS STEEL	1-213932-1
2	OBSOLETE	38.86 [1.530]	11.05-13.84 [.435-.545]	BULK	-	STAINLESS STEEL	1-213932-0
2	OBSOLETE	50.04 [1.970]	7.62-11.43 [.300-.450]	INDIVIDUAL	-	STAINLESS STEEL	213932-9
2	OBSOLETE	50.04 [1.970]	11.05-13.84 [.435-.545]	INDIVIDUAL	-	STAINLESS STEEL	213932-8
2	OBSOLETE	38.86 [1.530]	11.05-13.84 [.435-.545]	INDIVIDUAL	-	STAINLESS STEEL	213932-7
2	OBSOLETE	50.04 [1.970]	7.62-11.43 [.300-.450]	INDIVIDUAL	1	ZINC	213932-5
	OBSOLETE	38.86 [1.530]	7.62-11.43 [.300-.450]	INDIVIDUAL	1	ZINC	213932-4
		38.86 [1.530]	11.05-13.84 [.435-.545]	INDIVIDUAL	1	ZINC	213932-3
		38.86 [1.530]	7.62-11.43 [.300-.450]	INDIVIDUAL	-	STAINLESS STEEL	213932-2
2	OBSOLETE	38.86 [1.530]	11.05-13.84 [.435-.545]	BULK	-	STAINLESS STEEL	213932-1
		A	CABLE RANGE DIA	PACKAGING	FINISH	MATERIAL	PART NUMBER

THIS DRAWING IS A CONTROLLED DOCUMENT.

APPROVED: D.BROCKWAY 12DEC95
CHK: C.DORWART 12DEC95
M.MCALONIS 13DEC95

STE TE Connectivity

NAME: CONNECTOR KIT, UNASSEMBLED, PLUG, 34 POSITION, M SERIES

SIZE: A1
SCALE: 2:1
SHEET: 1 OF 1
REV: K2