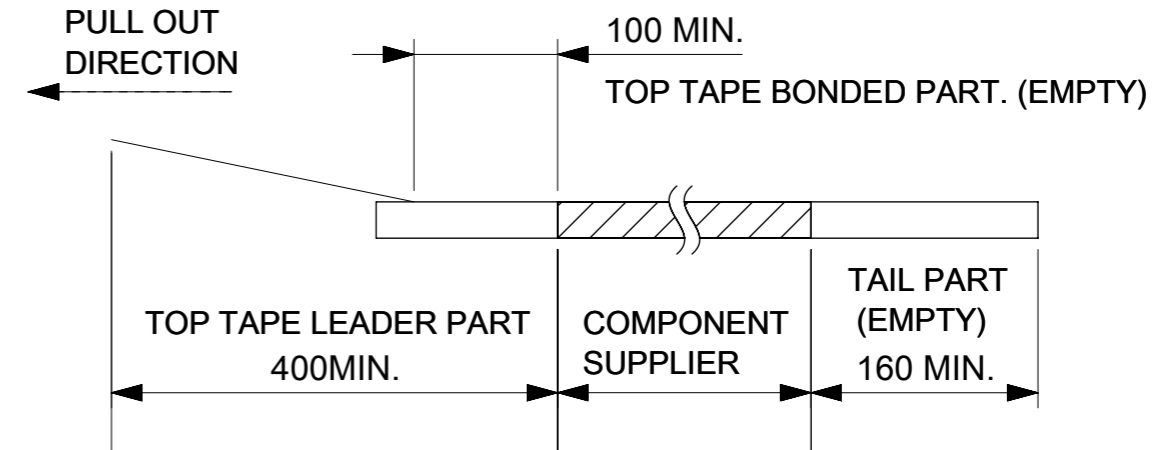
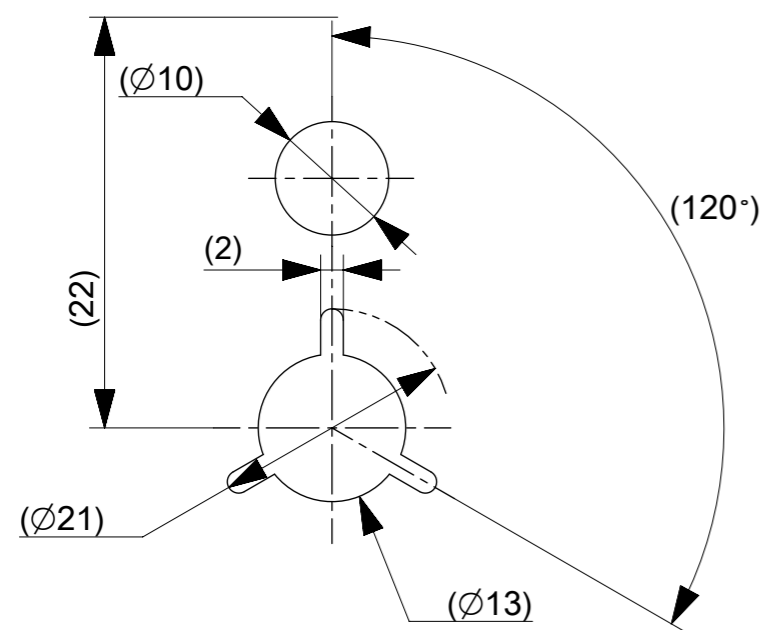


NOTES

1. RE DETAILED DIMENSION, SEE PRODUCT DRAWING.
2. NUMBER OF CONNECTORS : 11000PCS/REEL
3. LEAD TAPE LENGTH.

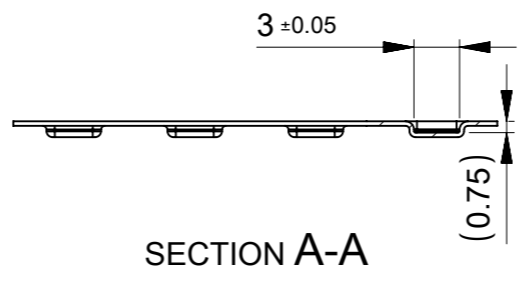
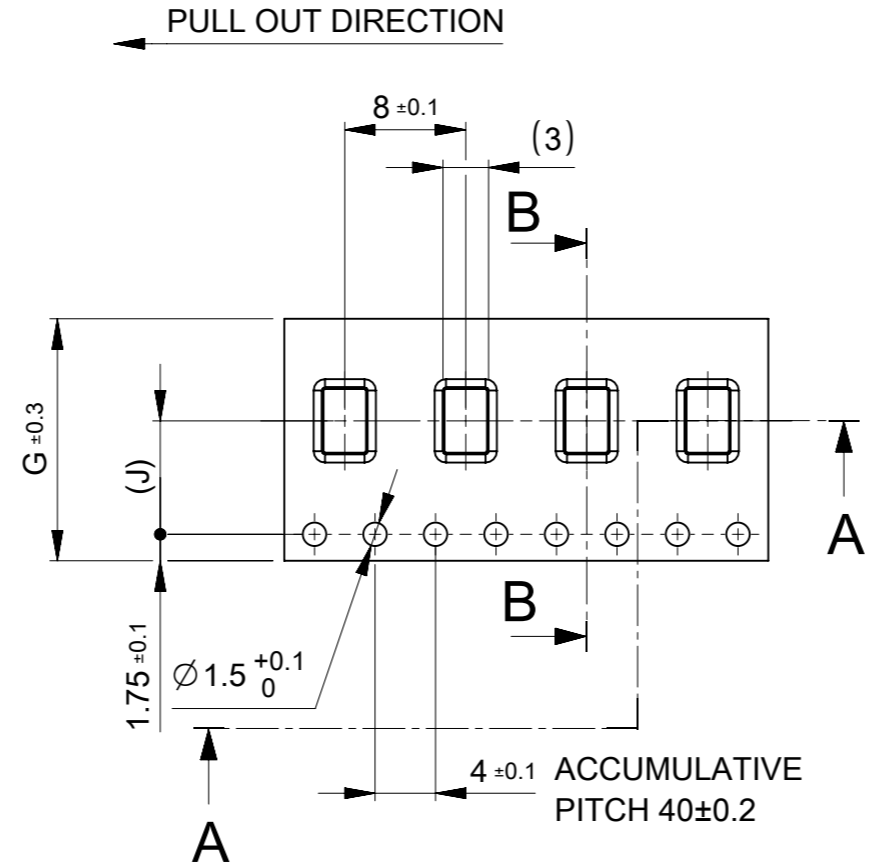
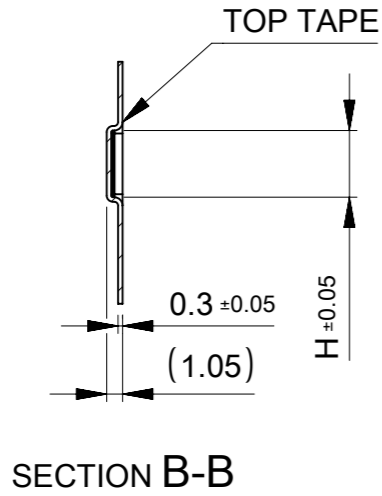


4. PEELING OFF FORCE OF THE TOP TAPE IS DEFINED BY IEC60286-3.
5. MATERIAL
CARRIER TAPE : POLYSTYRENE OR PET
TOP TAPE : PET , OTHER
REEL : POLYSTYRENE (PS) < RECYCLE MATERIAL CONTAINED >
6. CONFORM TO 2188769200-SPK/PS/200 FOR PACKAGING SPECIFICATION.
7. CONFORM TO 2188769200-SPK/PS/201 FOR PACKAGING SPECIFICATION.



DETAIL "D"

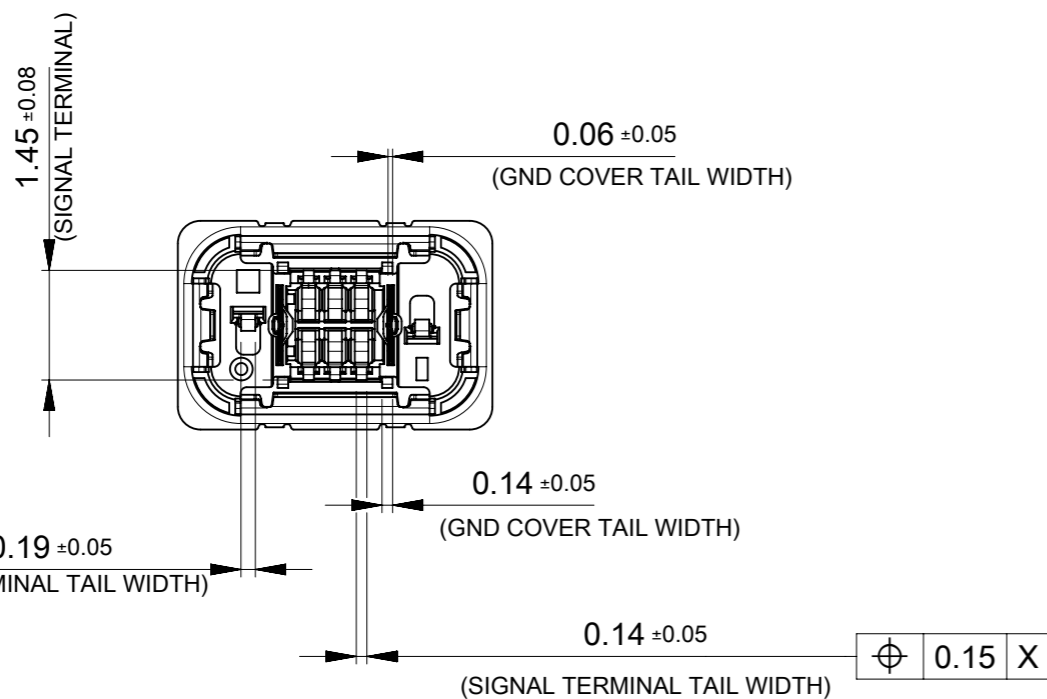
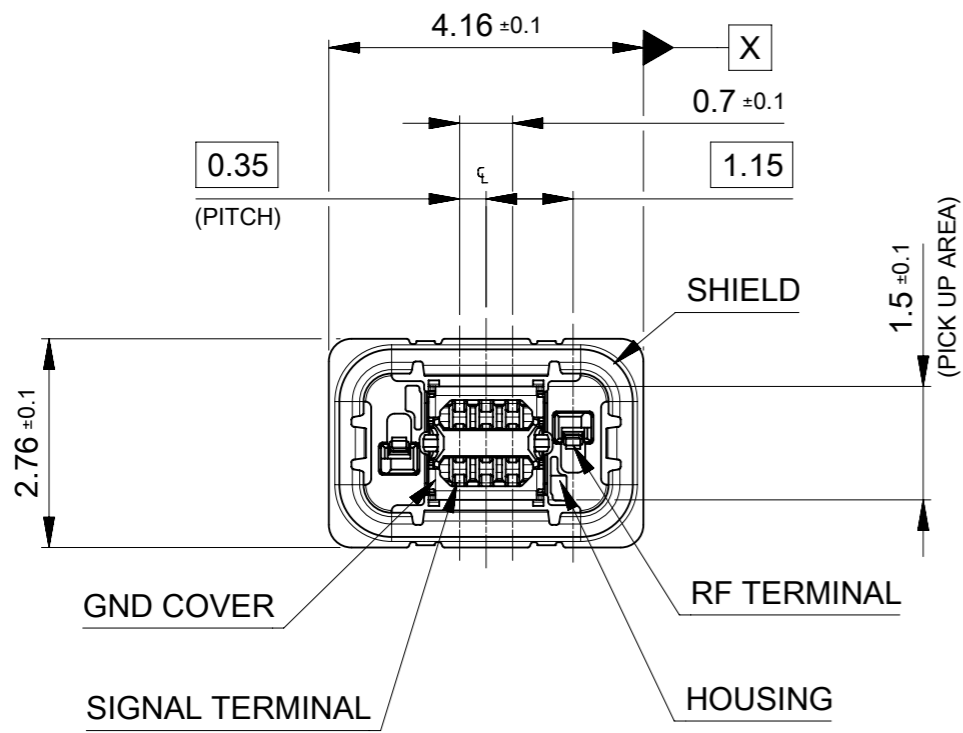
THIS DRAWING CONTAINS INFORMATION THAT IS PROPRIETARY TO MOLEX ELECTRONIC TECHNOLOGIES, LLC AND SHOULD NOT BE USED WITHOUT WRITTEN PERMISSION									
DIMENSION UNITS		SCALE		CURRENT REV DESC:				molex	
mm		1:1							
GENERAL TOLERANCES (UNLESS SPECIFIED)				EC NO: 732080				5G25 REC EMOSS PACKAGE	
ANGULAR TOL ± °				DRWN: RAJMOK 2022/12/02				PRODUCT CUSTOMER DRAWING	
4 PLACES ±				CHK'D: YNUKANOBU 2022/12/15				DOCUMENT NUMBER	
3 PLACES ±				APPR: YNAITO 2022/09/14				2188760000-SD	
2 PLACES ±				INITIAL REVISION:				DOC TYPE	
1 PLACE ±				DRWN: NKONDO 2021/11/09				PSD	
0 PLACES ±				APPR: KSASAKI 2022/09/14				DOC PART	
DRAFT WHERE APPLICABLE MUST REMAIN WITHIN DIMENSIONS				THIRD ANGLE PROJECTION		DRAWING		REVISION	
		A3-SIZE		SERIES		MATERIAL NUMBER		SHEET NUMBER	
		218876		218876		SEE SHEET-2		1 OF 2	
		GENERAL		CUSTOMER		GENERAL			



2188760064	2188760062	7.5	4.4	16	21.4	17.4	○	---	6
ORDER NO.	ORDER NO.	J	H	G	F	E	HIGH VOL. TOOL	LOW VOL. TOOL	Ckt.
PACKAGING SPEC:	PACKAGING SPEC:						SAMPLE PREPARATION		
							○ : TOOLED		
							△ : WORK IN PROCESS		
							--- : TOOLING TO BE CONFIRMED		

CONNECTOR SERIES No: 218876****

THIS DRAWING CONTAINS INFORMATION THAT IS PROPRIETARY TO MOLEX ELECTRONIC TECHNOLOGIES, LLC AND SHOULD NOT BE USED WITHOUT WRITTEN PERMISSION		CURRENT REV DESC:		molex	
DIMENSION UNITS	SCALE	EC NO: 732080			
mm	2:1	DRWN: RAJMOK 2022/12/02		5G25 REC EMBOSS PACKAGE	
GENERAL TOLERANCES (UNLESS SPECIFIED)		CHK'D: YNUKANOBU 2022/12/15		PRODUCT CUSTOMER DRAWING	
ANGULAR TOL	± °	APPR: YNAITO 2022/12/19		DOCUMENT NUMBER	
4 PLACES	±	INITIAL REVISION:		2188760000-SD	
3 PLACES	±	DRWN: NKONDO 2021/11/09		DOC TYPE	DOC PART
2 PLACES	±	APPR: KSASAKI 2022/09/14		PSD	000
1 PLACE	±	MATERIAL NUMBER		CUSTOMER	REVISION
0 PLACES	±	SEE TABLE		GENERAL	B
DRAFT WHERE APPLICABLE MUST REMAIN WITHIN DIMENSIONS		THIRD ANGLE PROJECTION	DRAWING	SHEET NUMBER	
			A3-SIZE	218876	2 OF 2

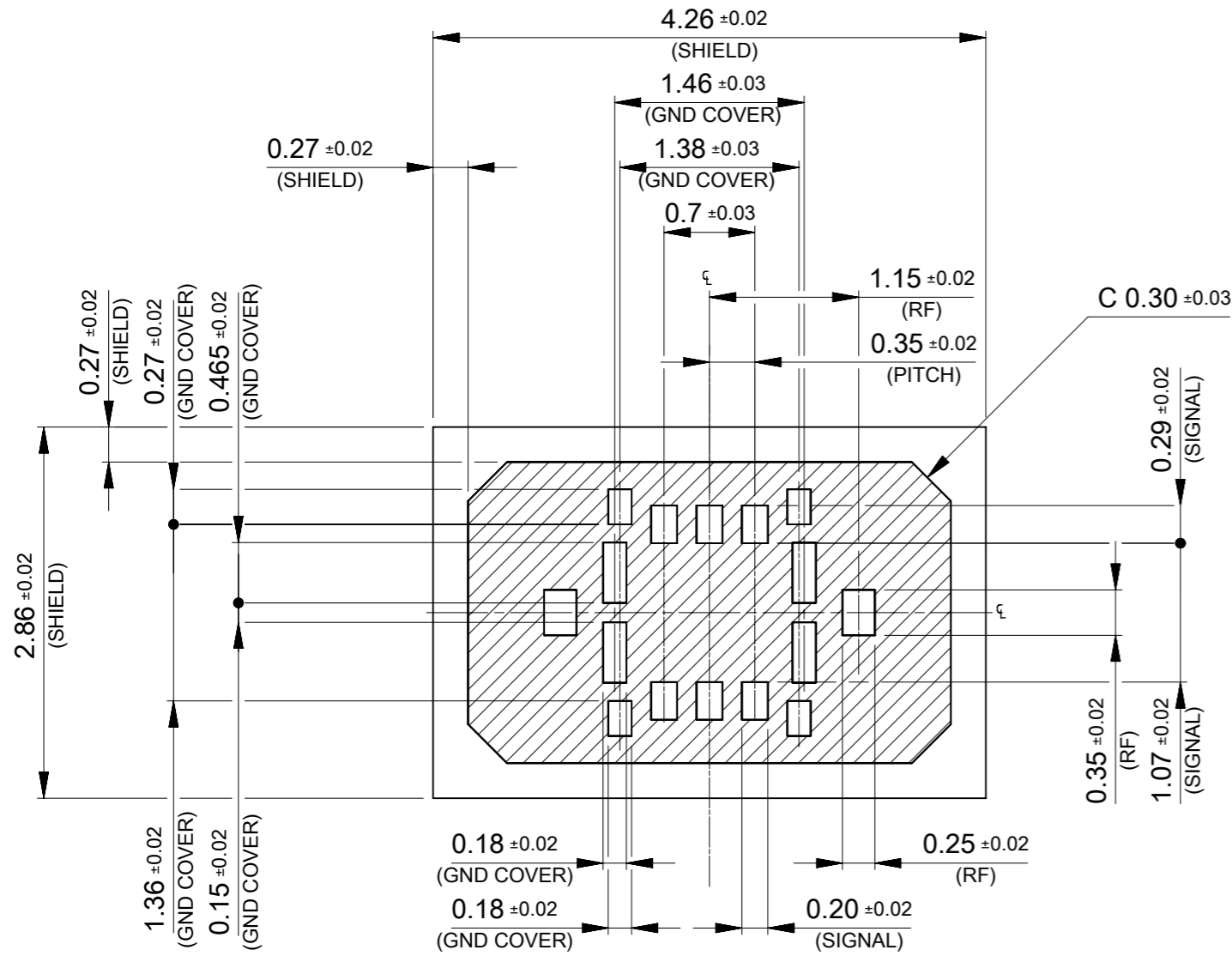


NOTES


- MATERIAL
 HOUSING : LIQUID CRYSTAL POLYMER UL94V-0(COLOR : BLACK)
 SIGNAL TERMINAL : COPPER ALLOY
 RF TERMINAL : COPPER ALLOY
 SHIELD : COPPER ALLOY
 GND COVER : COPPER ALLOY
- PLATING
 SIGNAL TERMINAL
 CONTACT AREA : GOLD
 TAIL AREA : GOLD
 UNDER : NICKEL
 RF TERMINAL
 CONTACT AREA : GOLD
 TAIL AREA : GOLD
 UNDER : NICKEL
 SHIELD
 TAIL AREA : NICKEL (SOLDERABLE)
 GND COVER
 CONTACT AREA : GOLD
 TAIL AREA : GOLD
 UNDER : NICKEL
- MATE WITH :2188770062
- COPLANARITY TO BE 0.08MAXIMUM.
- △ CONFORM TO 2188769200-SPK/PS/200 FOR PACKAGING SPECIFICATION.
- △ CONFORM TO 2188769200-SPK/PS/201 FOR PACKAGING SPECIFICATION.

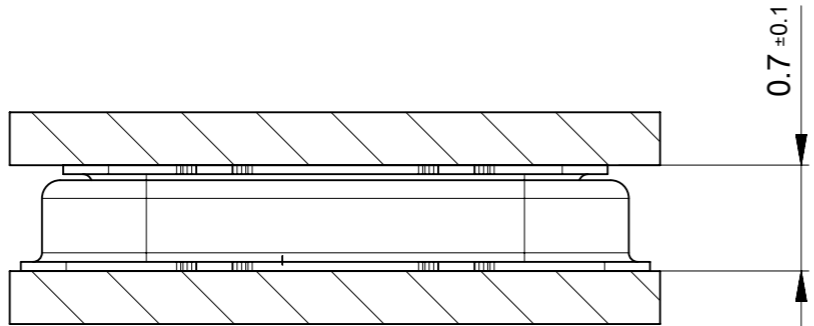
2188760064	2188760062	○	---	6
EMBOSED TAPE PACKAGE	EMBOSED TAPE PACKAGE	HIGH VOL. TOOL	LOW VOL. TOOL	SIGNAL CIRCUIT
ORDER No.	ORDER No.	SAMPLE PREPARATION ○ : TOOLED △ : WORK IN PROCESS --- : TOOLING TO BE CONFIRMED		
PACKAGING SPEC: △ 6	PACKAGING SPEC: △ 5			

THIS DRAWING CONTAINS INFORMATION THAT IS PROPRIETARY TO MOLEX ELECTRONIC TECHNOLOGIES, LLC AND SHOULD NOT BE USED WITHOUT WRITTEN PERMISSION									
DIMENSION UNITS	SCALE	CURRENT REV DESC:			molex				
mm	10:1								
GENERAL TOLERANCES (UNLESS SPECIFIED)		EC NO: 732080			5G25 REC ASSY				
ANGULAR TOL ± 3.0°		DRWN: RAJMOK 2022/12/02							
4 PLACES ± 0.03		CHK'D: YNUKANOBU 2022/12/15			PRODUCT CUSTOMER DRAWING				
3 PLACES ± 0.03		APPR: YNAITO 2022/12/19							
2 PLACES ± 0.05		INITIAL REVISION:			DOCUMENT NUMBER: 2188761000-SD				
1 PLACE ± 0.1		DRWN: NKONDO 2021/11/09							
0 PLACES ± 0.2		APPR: KSASAKI 2022/09/14			DOC TYPE: PSD		DOC PART: 000		REVISION: B
DRAFT WHERE APPLICABLE MUST REMAIN WITHIN DIMENSIONS		THIRD ANGLE PROJECTION	DRAWING: A3-SIZE	SERIES: 218876	MATERIAL NUMBER: SEE TABLE		CUSTOMER: GENERAL		SHEET NUMBER: 1 OF 2



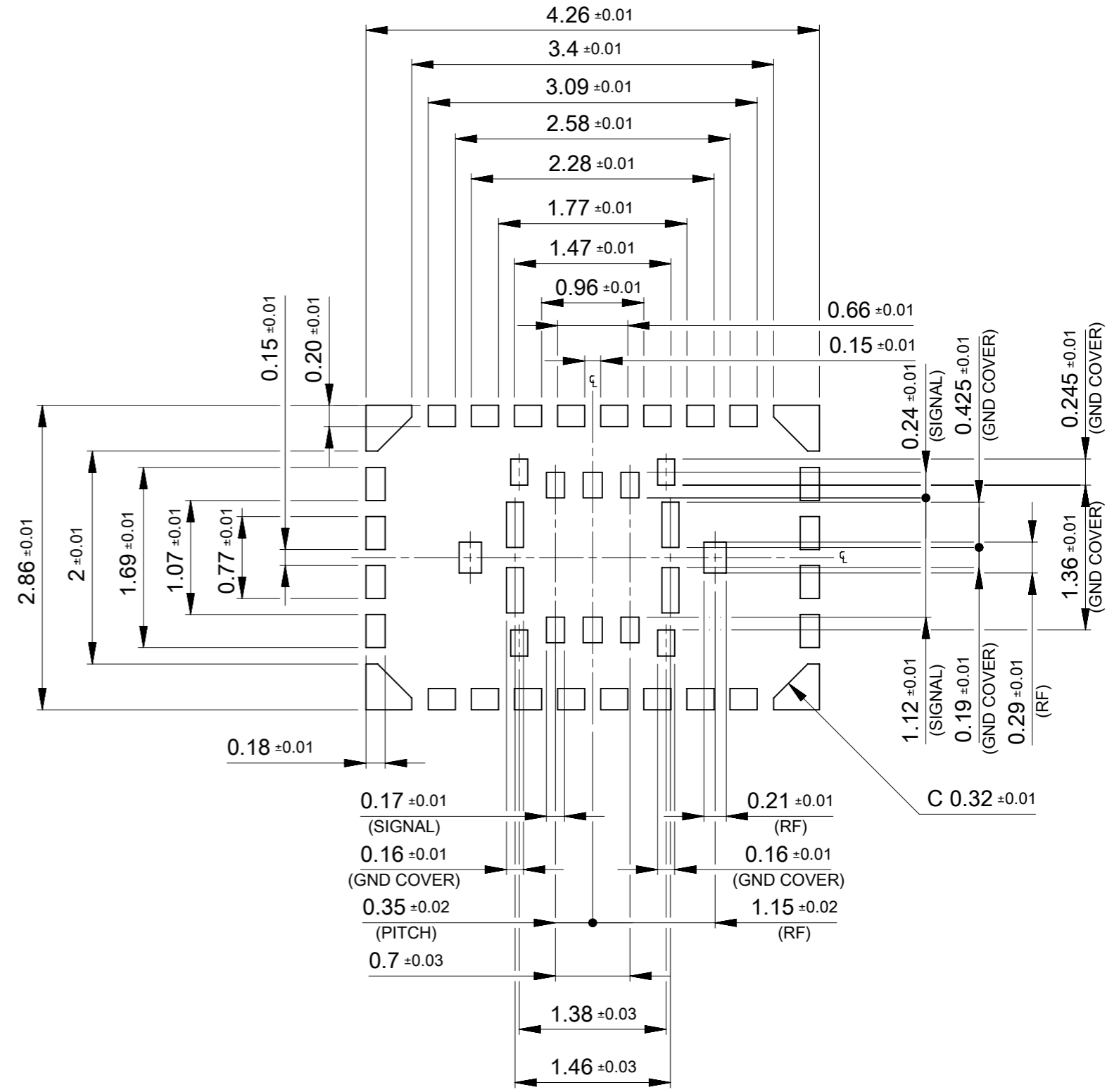
P.W. BOARD PATTERN LAYOUT

 **SOLDERING PROHIBITED AREA**
 WHEN WIRING IS LOCATED, THE WIRING MUST BE MASKED
 BY COVER LAY OR RESIST FILM.



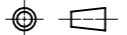
MATED CONDITION

THIS DIMENSION SHOW A DIMENSION BETWEEN THE TAIL TO TAIL.



METAL MASK LAYOUT

THICKNESS OF METAL MASK : t=0.08mm

THIS DRAWING CONTAINS INFORMATION THAT IS PROPRIETARY TO MOLEX ELECTRONIC TECHNOLOGIES, LLC AND SHOULD NOT BE USED WITHOUT WRITTEN PERMISSION									
DIMENSION UNITS	SCALE	CURRENT REV DESC:							
mm	20:1	<div style="text-align: center;">molex</div> 5G25 REC ASSY PRODUCT CUSTOMER DRAWING							
GENERAL TOLERANCES (UNLESS SPECIFIED)									
ANGULAR TOL	± 3.0 °								
4 PLACES	± 0.03								
3 PLACES	± 0.03								
2 PLACES	± 0.05	EC NO: 732080	DRWN: RAJMOK	2022/12/02	DOCUMENT NUMBER: 2188761000-SD DOC TYPE: PSD DOC PART: 000 REVISION: B				
1 PLACE	± 0.1	CHK'D: YNUKANOBU	2022/12/15	APPR: YNAITO					
0 PLACES	± 0.2	INITIAL REVISION:			DOCUMENT NUMBER		DOC TYPE		DOC PART
DRAFT WHERE APPLICABLE MUST REMAIN WITHIN DIMENSIONS		THIRD ANGLE PROJECTION	DRAWING	SERIES	MATERIAL NUMBER	CUSTOMER		SHEET NUMBER	
			A3-SIZE	218876	SEE SHEET-1	GENERAL		2 OF 2	