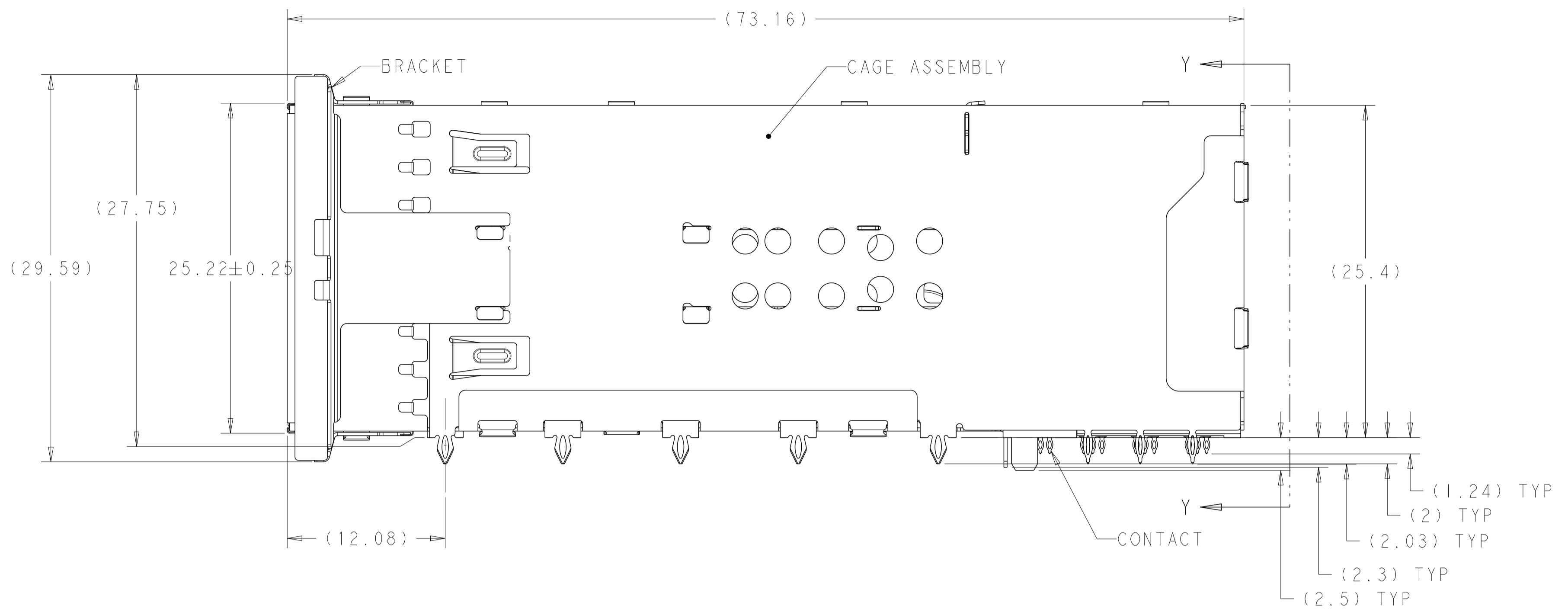
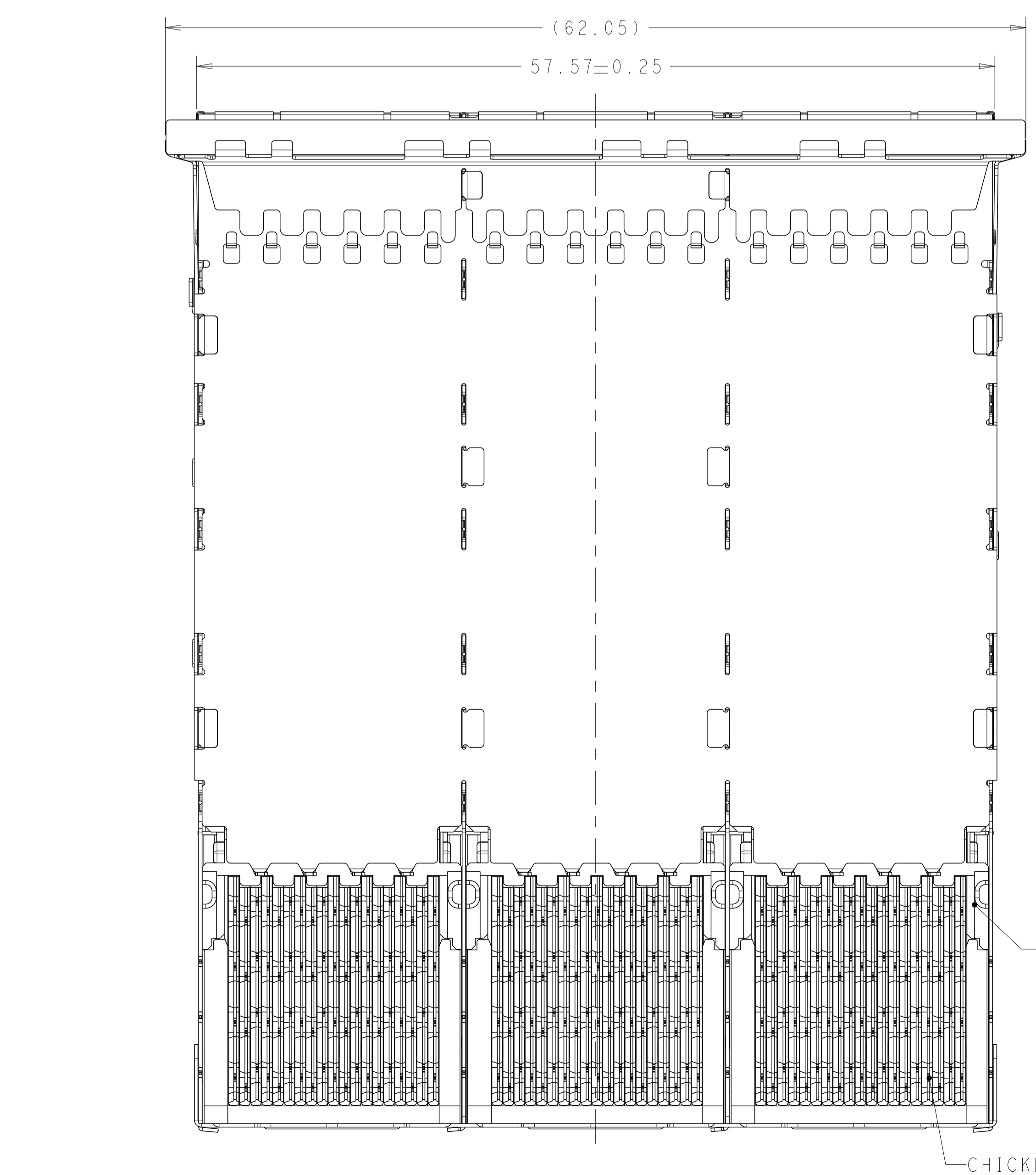
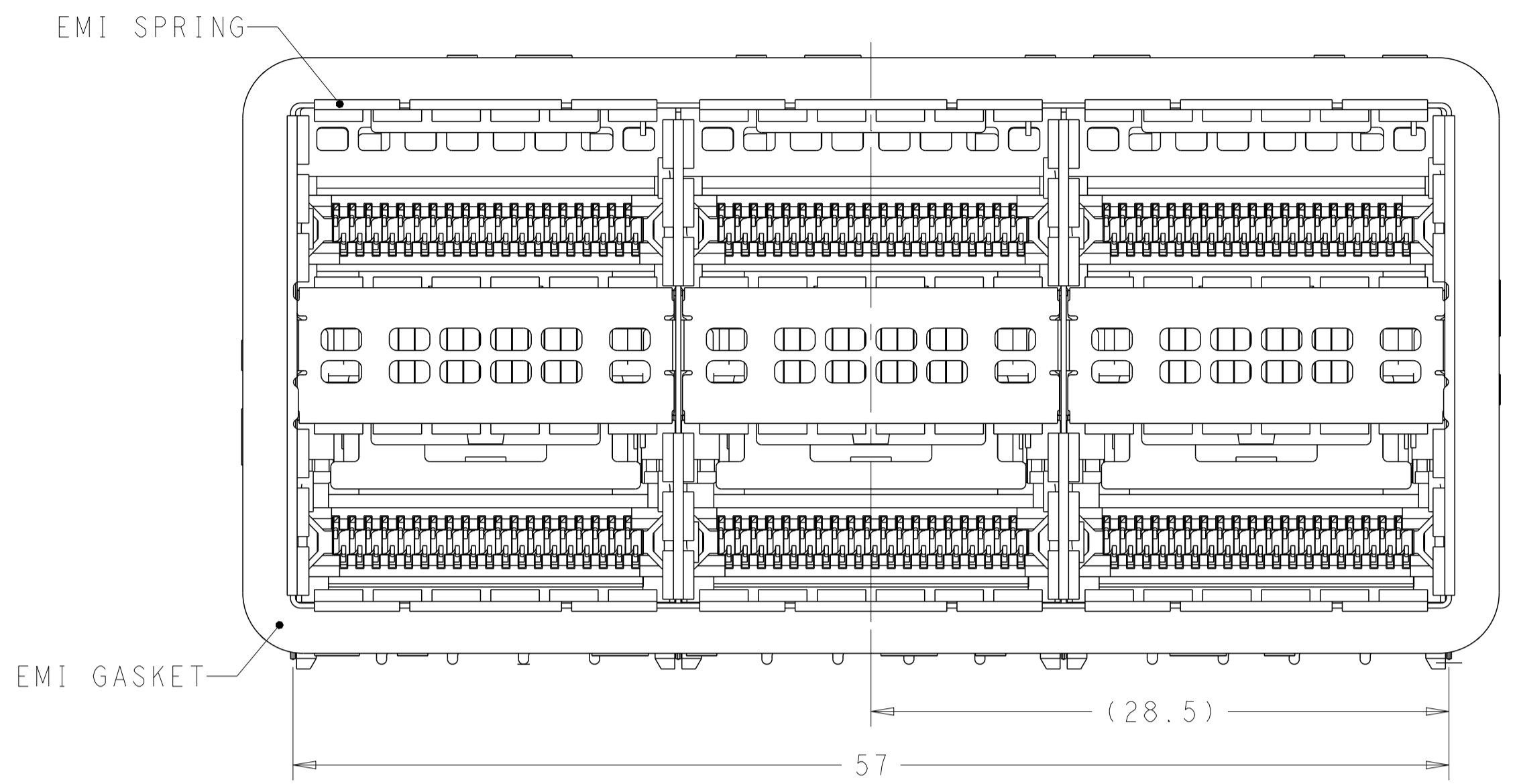


LOC	DIST	REVISIONS					
GP	00	P	LTN	DESCRIPTION	DATE	DWN	APVD
		A		RELEASED FOR PRODUCTION	02MAR2016	TX	SH
		A1		REVISED PER ECN-22-163746	11JUL2022	IT	SZ



- MATERIALS:
 CAGE ASSEMBLY- NICKEL SILVER ALLOY PER ASTM B 122.
 BRACKET- NICKEL SILVER ALLOY PER ASTM B 122.
 EMI SPRING- COPPER ALLOY, NICKEL PLATED.
 EMI GASKET- PLATED FILLED SILICONE.
 HOUSING- POLYESTER LCP WITH 94 V-0
 CHICKLET- POLYESTER LCP WITH 94 V-0
 CONTACT- COPPER ALLOY.
 LIGHTPIPE- POLYCARBONATE WITH 94 V-0
- CONTACT FINISH: 0.76µm GOLD ON MATING END, 1.25µm TIN ON SOLDER TAIL, ALL OVER 1.27µm NICKEL.
- DATUM AND BASIC DIMENSION ESTABLISHED BY CUSTOMER.
- MINIMUM PCB THICKNESS OF 1.57.
- THE ENTIRE AREA OF THE CONNECTOR FOOTPRINT, INDICATED BY THE DASHED LINE, TO BE CONSIDERED THE KEEPOUT AREA FOR COMPONENTS.
- CROSS-HATCHED AREAS REPRESENT ZONES ON THE PCB THAT COME IN CONTACT WITH OR BE IN CLOSE PROXIMITY TO THE PLASTIC HOUSING OR THE CONNECTOR CAGE. INDICATED AREAS TO BE CONSIDERED TRACE FREE.
- PART NUMBER AND DATE CODE MADE IN APPROXIMATE AREA SHOWN.
- THESE HOLES ARE OPTIONAL WHEN PINS ON BACK OF CAGE ARE REMOVED.
- HATCHED AREA IS PLACEMENT ZONE FOR LED. LED SHOULD BE CENTERED WITHIN ZONE. RECOMMEND 0805 PACKAGE.
- CONTACT FINISH: 0.08µm MINIMUM GOLD OVER 0.68µm PALLADIUM-NICKEL ON MATING END, 1.25µm TIN ON SOLDER TAIL, ALL OVER 1.27µm NICKEL.

CONTACT FINISH	DESCRIPTION	PART NUMBER
10	LEFT INDICATOR DOWN	2227226-6
10	LEFT INDICATOR UP	2227226-5
10	NO LIGHTPIPE	2227226-4
2	LEFT INDICATOR DOWN	2227226-3
2	LEFT INDICATOR UP	2227226-2
2	NO LIGHTPIPE	2227226-1

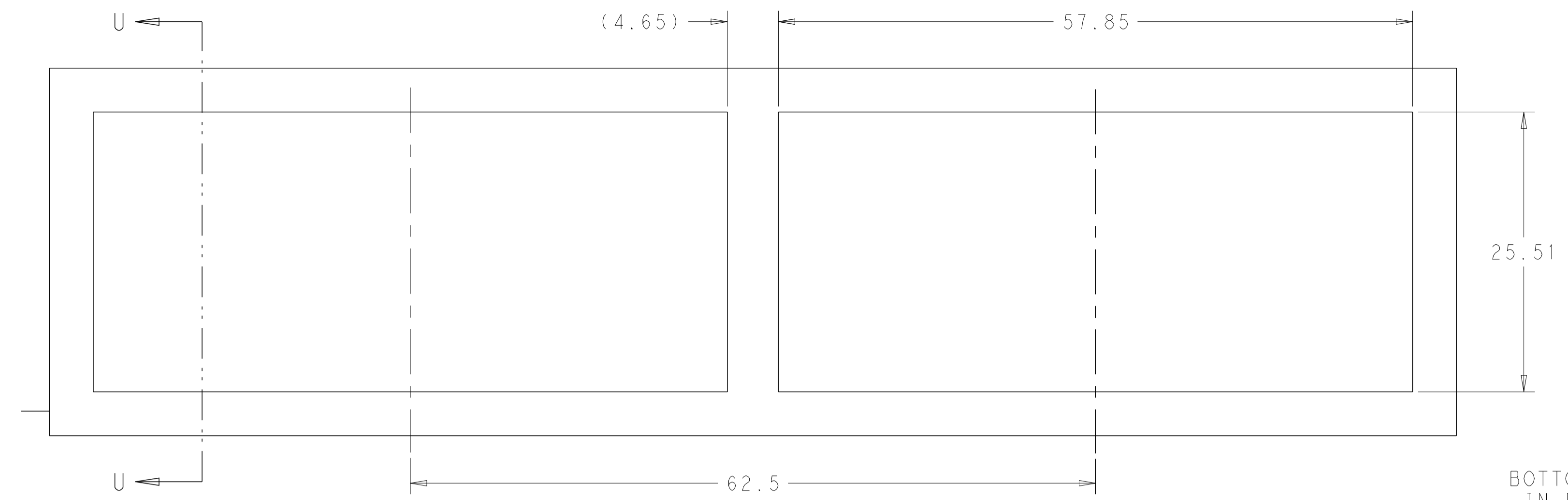
THIS DRAWING IS A CONTROLLED DOCUMENT. DIMENSIONING AND TOLERANCING PER: ASME Y14.5M-2009. TOLERANCES UNLESS OTHERWISE SPECIFIED:

DIMENSIONS:	mm	0 PLC ±	1 PLC ±0.25	2 PLC ±0.15	3 PLC ±	4 PLC ±
ANGLES:		114-60015				
MATERIAL:	SEE NOTE 1	FINISH:	SEE NOTE 2	CUSTOMER DRAWING		

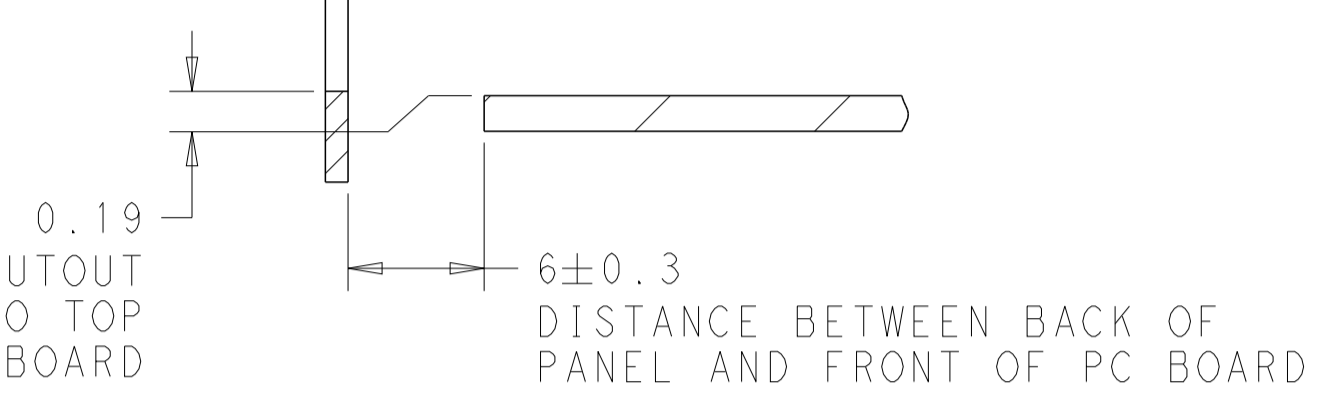
DWN: M. SHIRK 01AUG2012
 CHK: D. SZCZESNY 01AUG2012
 PRODUCT SPEC: 108-60102
 APPLICATION SPEC: 114-60015
 WEIGHT: -
 SCALE: 4:1 SHEET 1 OF 4 REV A1

STE TE Connectivity
 CAGE AND CONNECTOR ASSEMBLY, WITH EMI GASKET, 2X3, ZQSFP+ STACKED
 A100779C=2227226

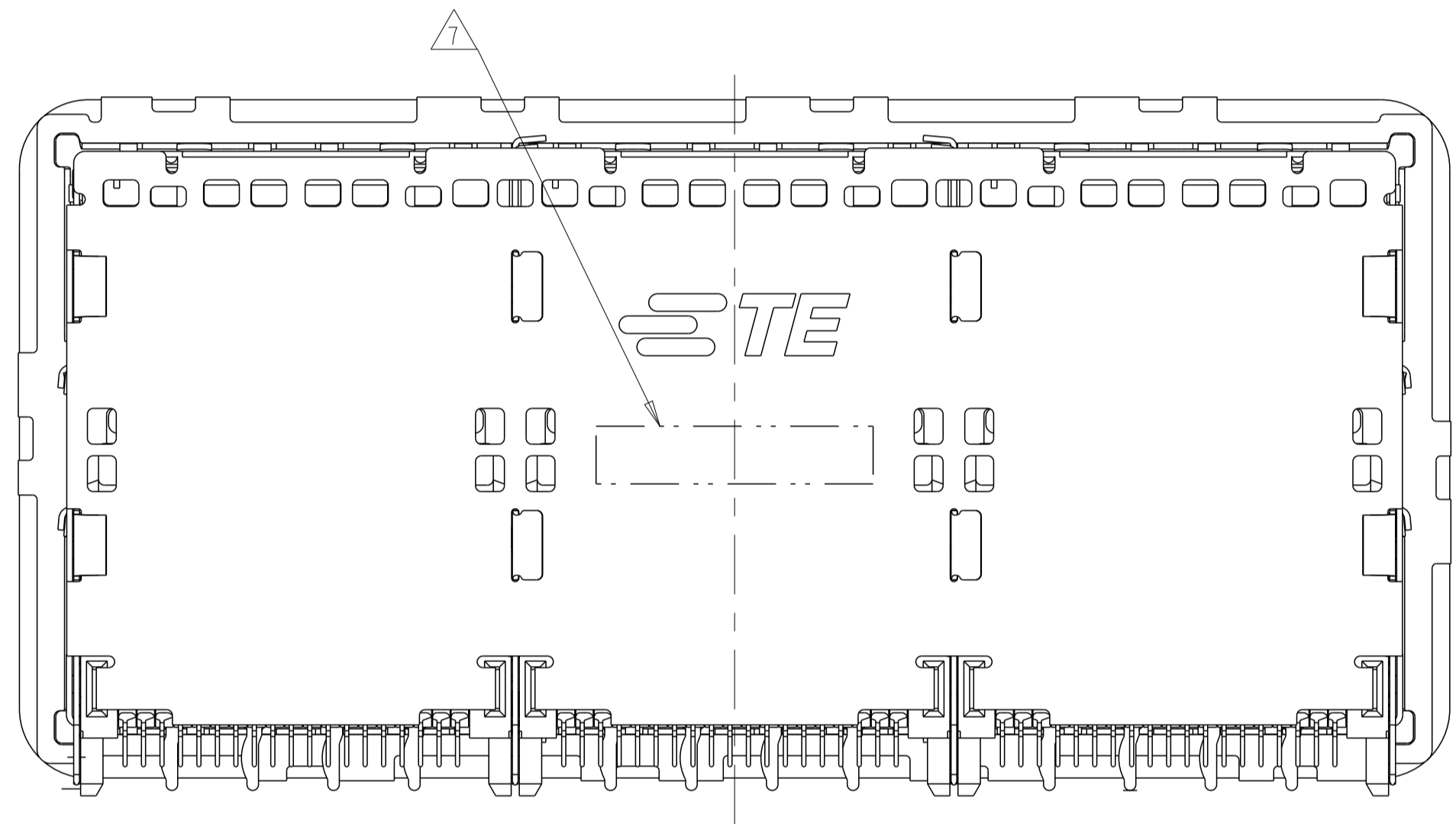
LOC	DIST	REV	DATE	BY	APPV
		1			
		2			
		3			
		4			



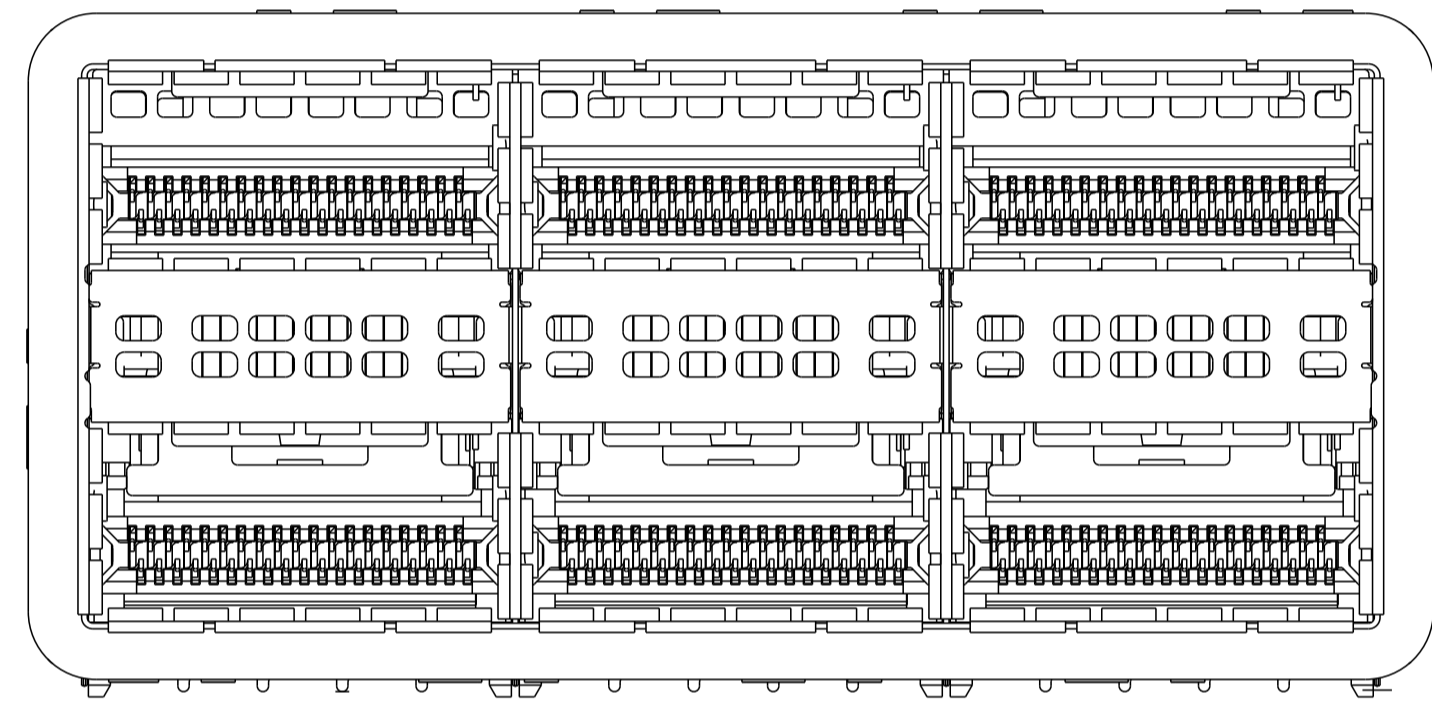
RECOMMENDED PANEL CUTOUT AND PC BOARD, PANEL POSITION
 SCALE 3:1



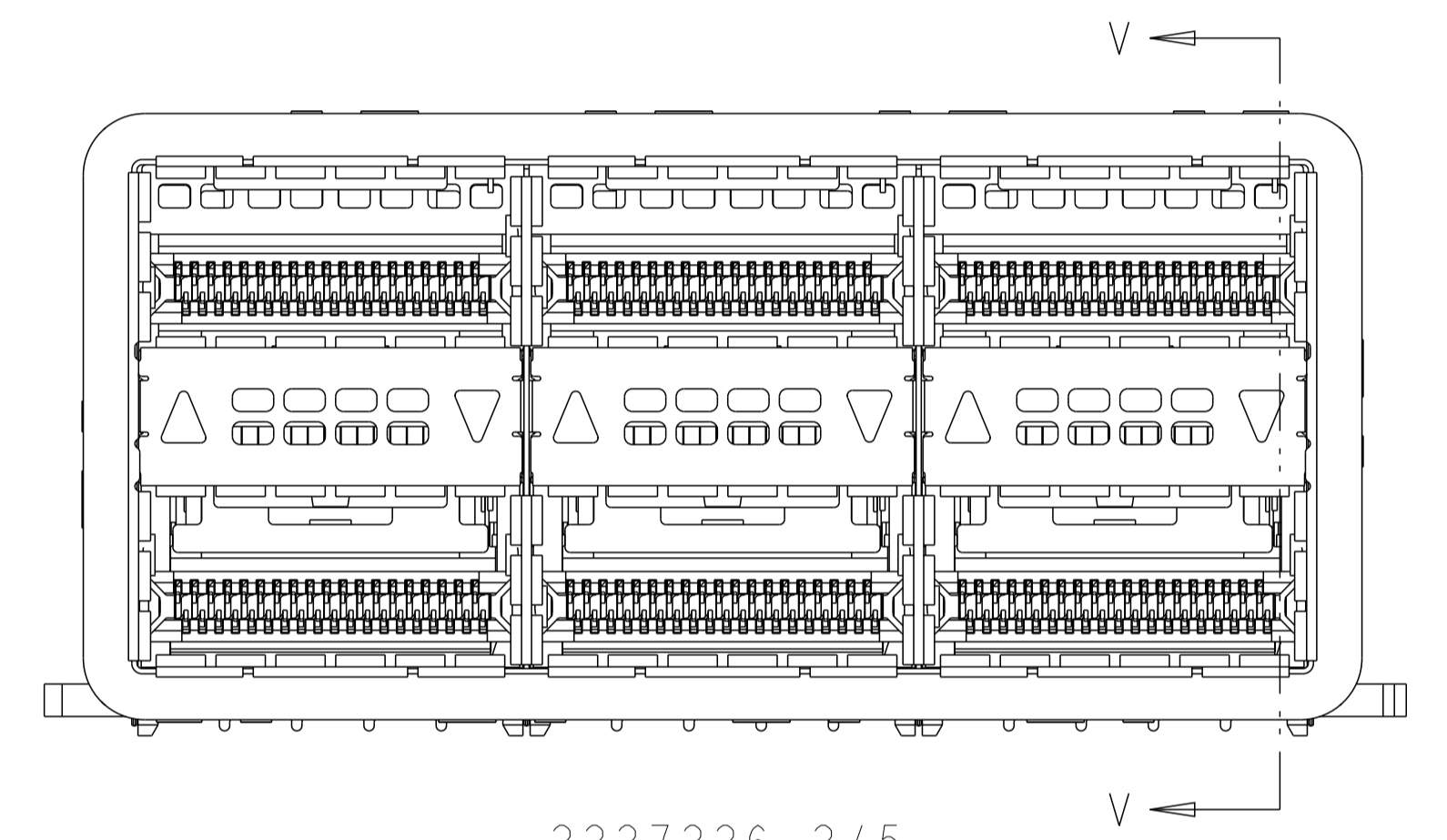
SECTION U-U



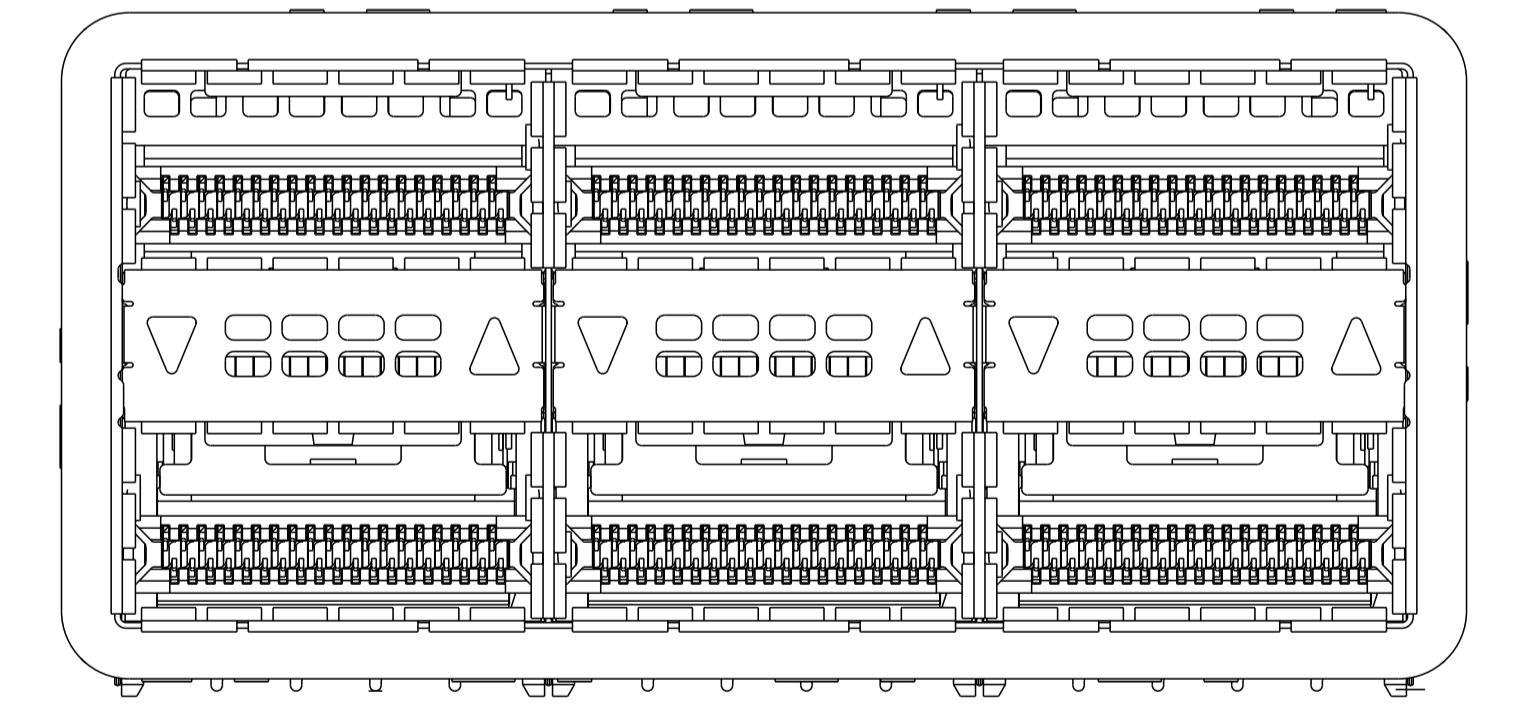
VIEW Y-Y



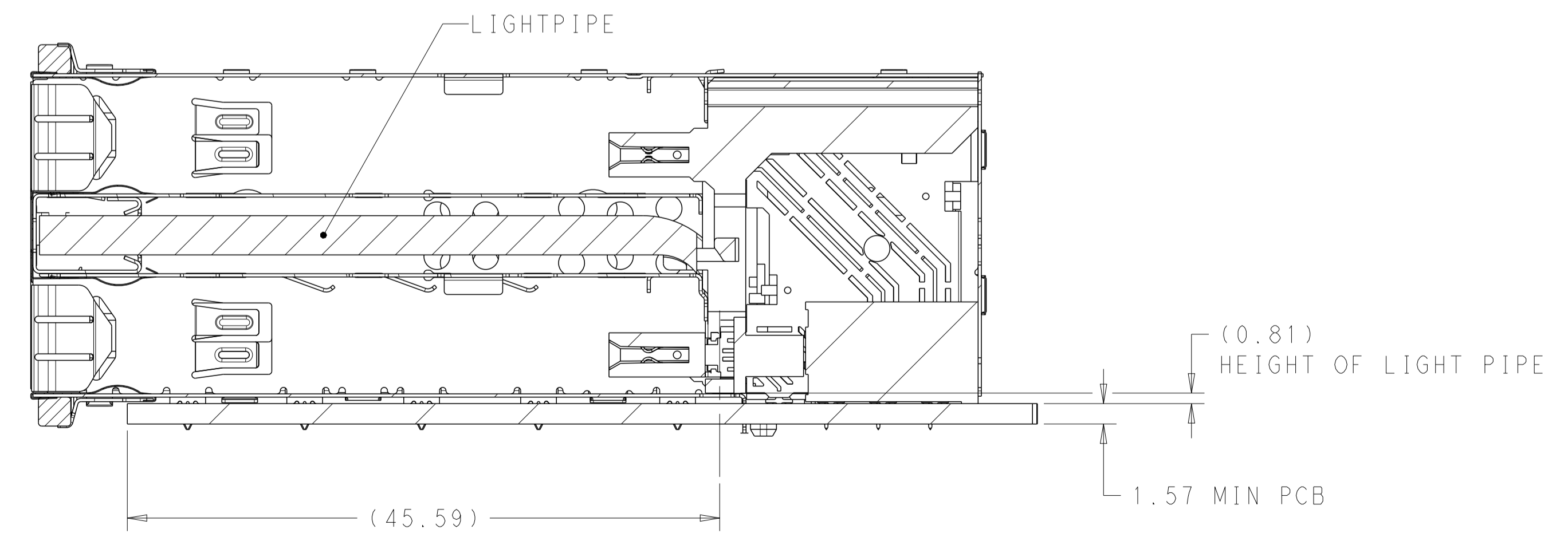
2227226-1/4
 NO LIGHTPIPE IN ASSEMBLY
 SCALE 3:1



2227226-2/5
 LEFT LIGHTPIPE INDICATOR POINTING TO UPPER PORT
 SCALE 3:1



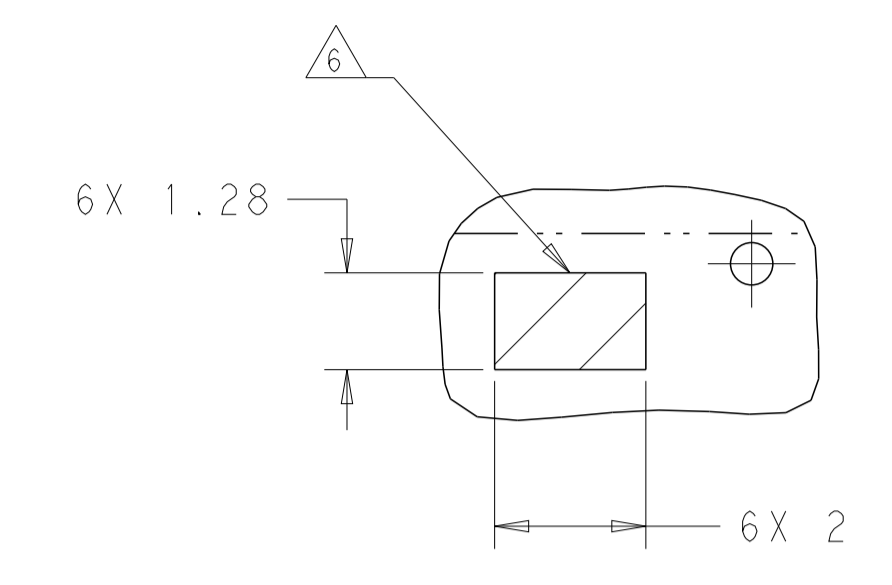
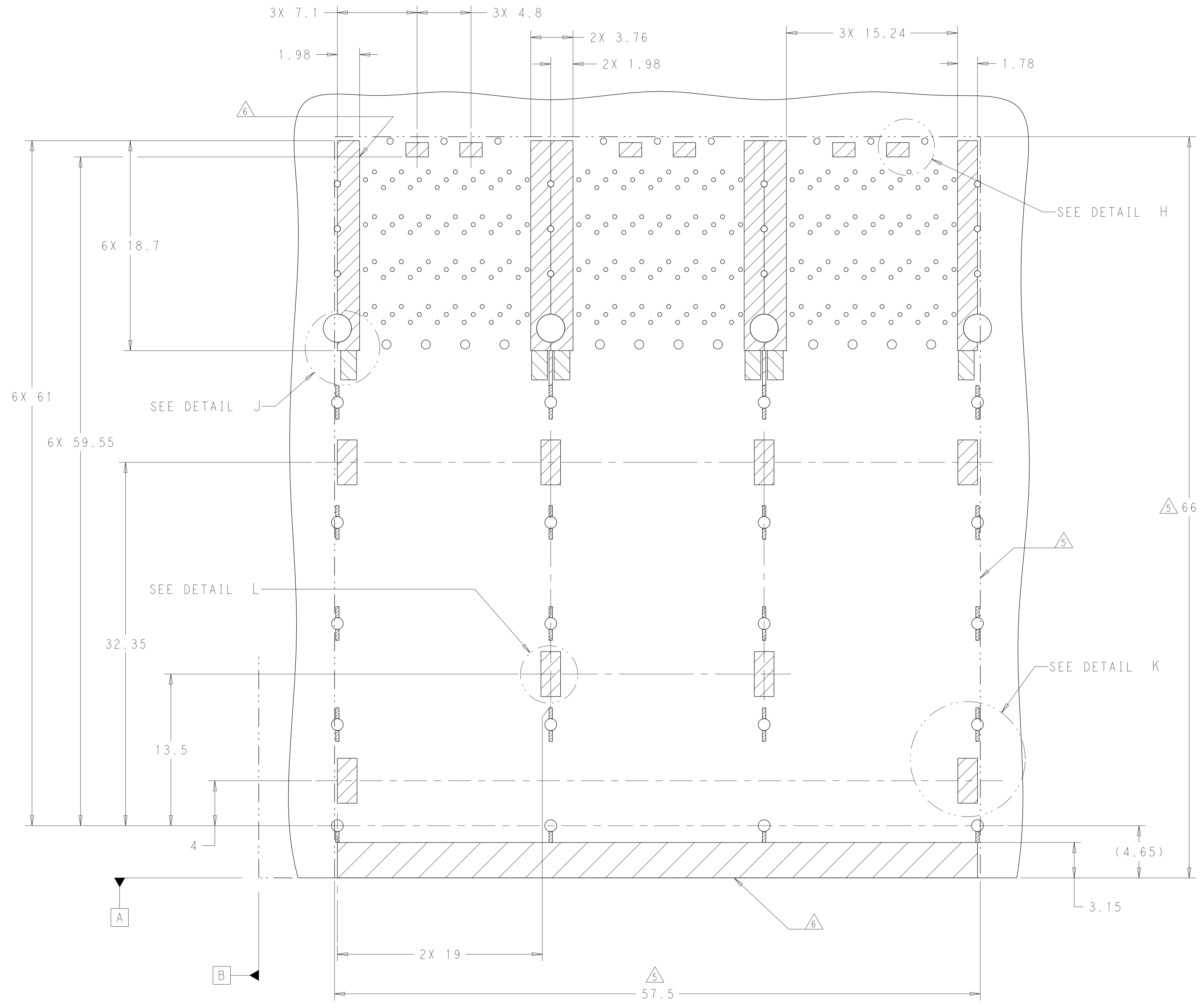
2227226-3/6
 LEFT LIGHTPIPE INDICATOR POINTING TO LOWER PORT
 SCALE 3:1



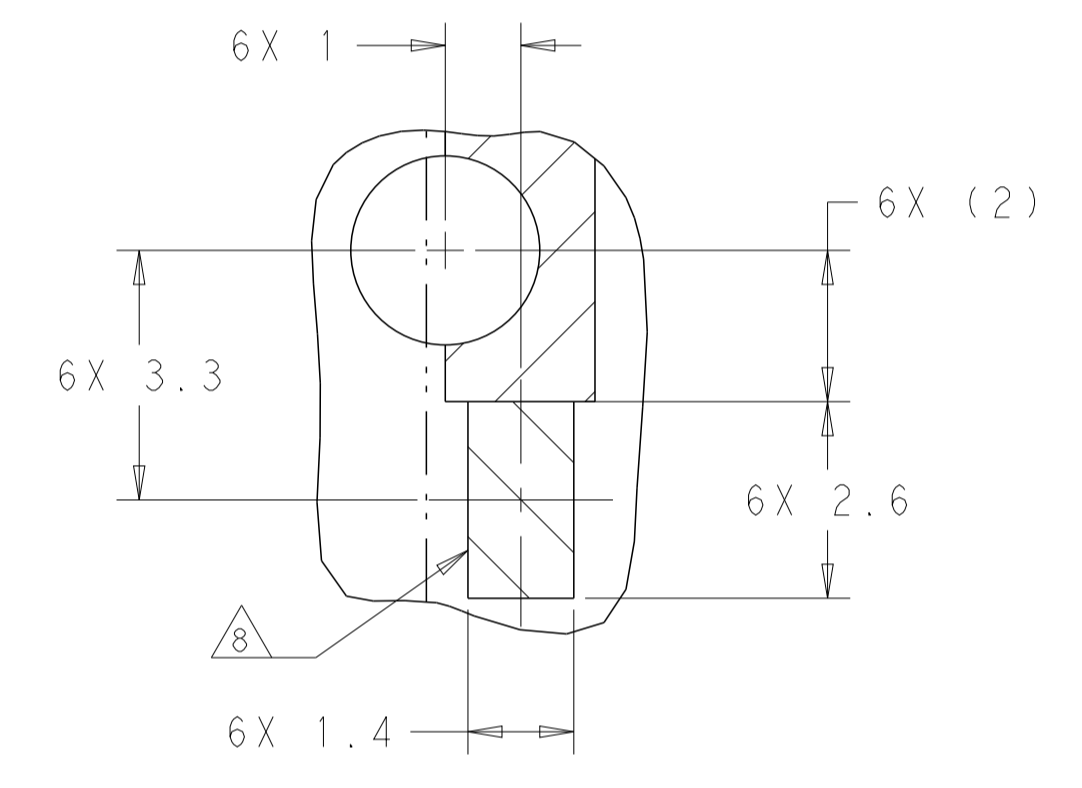
SECTION V-V
 SCALE 3:1

THIS DRAWING IS A CONTROLLED DOCUMENT. DIMENSIONING AND TOLERANCING PER ASME Y14.5M-2009		OWN: M. SHIRK 01AUG2012 CHK: D. SZCZESNY 01AUG2012	TE Connectivity NAME: CAGE AND CONNECTOR ASSEMBLY, WITH EMI GASKET, 2X3, ZQSFP+ STACKED
DIMENSIONS: mm	TOLERANCES UNLESS OTHERWISE SPECIFIED:	APVD: -	
0 PLC ±	1 PLC ±0.25	PRODUCT SPEC: 108-60102	SIZE: 114-60015
2 PLC ±0.15	3 PLC ±	APPLICATION SPEC: -	WEIGHT: -
4 PLC ±	ANGLES ±	FINISH: -	MATERIAL: -
SEE NOTE 1	SEE NOTE 2	CUSTOMER DRAWING	SCALE: 4:1 SHEET 2 OF 4 REV A1

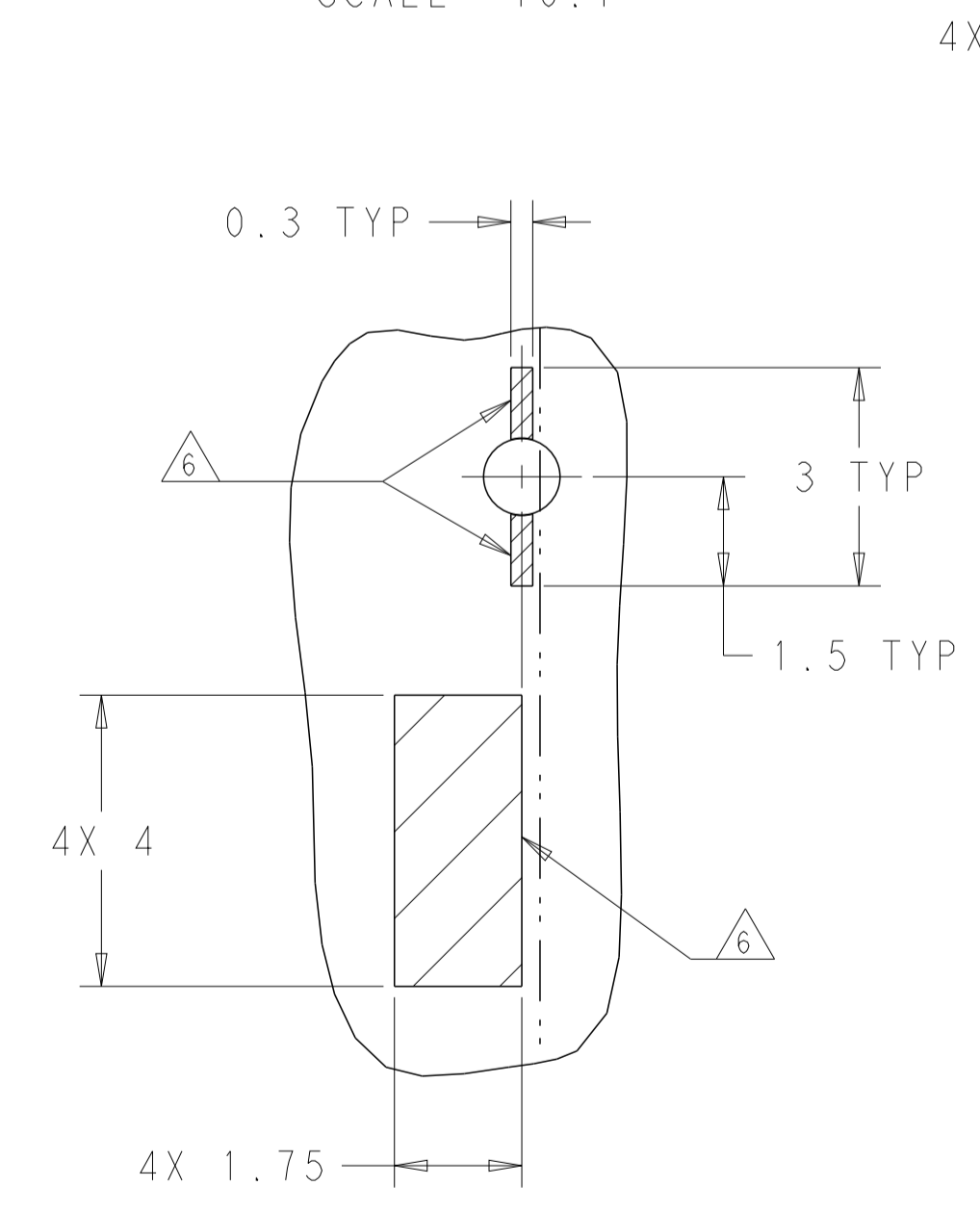
LOC		DIST		REVISIONS			
P	LTR	DESCRIPTION	DATE	DMN	APVD		
rev_sym_1	1866_0806E11			rev_defect	dmn_bppr		1
rev_sym_2	rev_desc_2			rev_defect	dmn_bppr		2
rev_sym_3	rev_desc_3			rev_defect	dmn_bppr		3
rev_sym_4	rev_desc_4			rev_defect	dmn_bppr		4



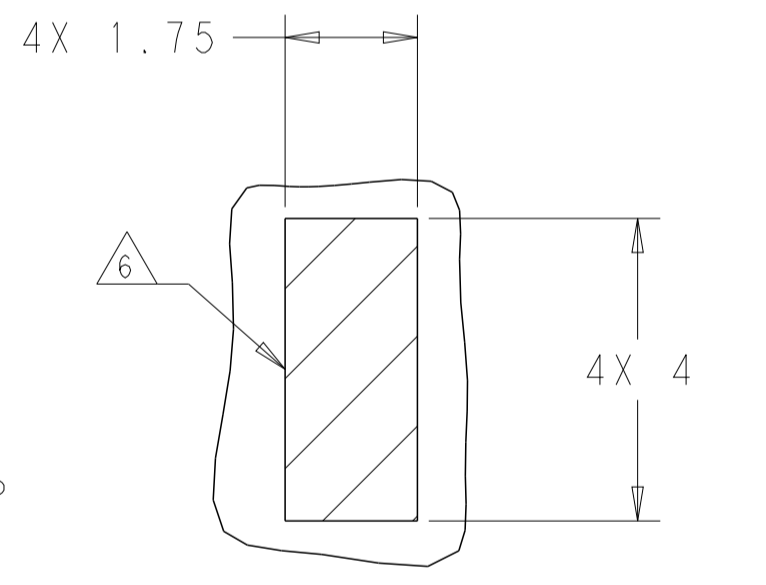
DETAIL H
SCALE 10:1



DETAIL J
SCALE 10:1



DETAIL K
SCALE 10:1



DETAIL L
SCALE 10:1

KEEPOUT AREAS
COMPONENT SIDE OF BOARD
SCALE 5:1

THIS DRAWING IS A CONTROLLED DOCUMENT. DIMENSIONING AND TOLERANCING PER ASME Y14.5M-2009.		DMN: M. SHIRK 01AUG2012	TE Connectivity
TOLERANCES UNLESS OTHERWISE SPECIFIED:		CHK: D. SZCZESNY 01AUG2012	
DIMENSIONS:	mm	APVD:	NAME:
0 PLC	±	PRODUCT SPEC:	CAGE AND CONNECTOR ASSEMBLY,
1 PLC	±0.25	APPLICATION SPEC:	WITH EMI GASKET, 2X3,
2 PLC	±0.15	SIZE:	ZQSFP+ STACKED
3 PLC	±	WEIGHT:	
4 PLC	±	CUSTOMER DRAWING	
ANGLES:	±	SCALE: 4:1	SHEET 4 OF 4
FINISH:		REV: A1	