

# 18X16X8 PREMIUM LINE



## Features and Benefits

- Quality material – bases, opaque covers and clear covers are all made of high-impact, UV resistant polycarbonate.
- Flexible interior mounting – features the unique and patented Integra adjustable depth “T-Rail” back panel mounting system (back panel and adjustable brackets sold separately).
- Wide range of sizes, configurations and accessories provides capabilities for every application.
- Features multiple bosses for easy installation of devices and DIN rails.
- Standard color – light gray with a gloss finish.
- UL-50 / c-UL Listed (files # E229365, # E207562)



Mounting Feet



Mounting Flanges



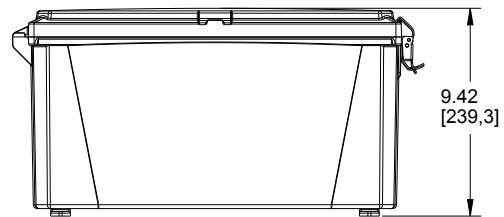
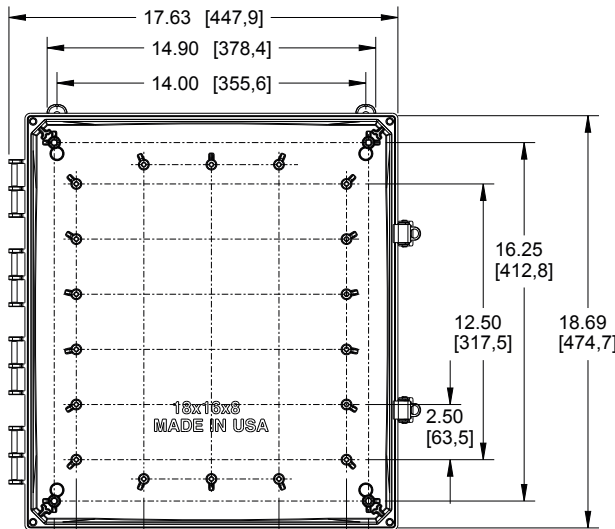
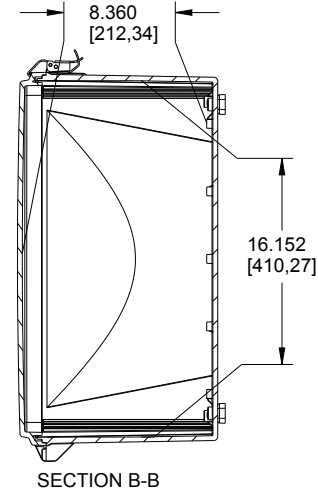
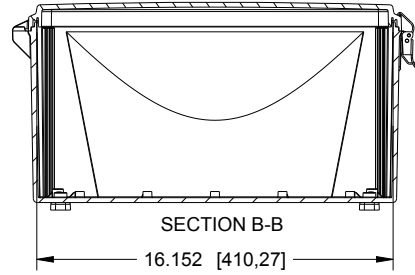
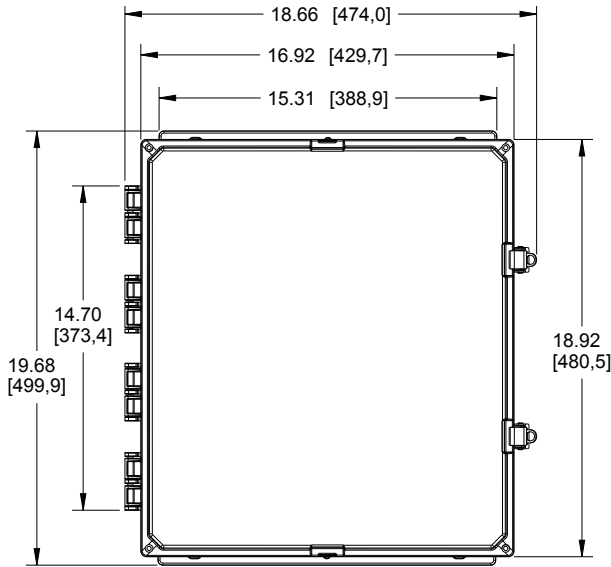
Mechanical and Thermal	Test Spec.	Unit	Premium Line
Instrumented Dart Impact @ 73° F		in-lbs.	565
Falling Ball Impact @ 73° F	UL-746	in-lbs.	900
Deflection Temperature @ 264 psi	ASTM D648	Deg. F	270
Modulus of Elasticity	ASTM D790	ksi	340
Temperature Range		Deg. F	-40 to 265
Flammable / UV Ratings	Test Spec.	Unit	Premium Line
Flame Rating - UL	UL 94	-	5VA
Outdoor UV Exposure	UL	-	F1

Part Number	4X IP66	6P IP68	Hinged Cover	Screw Cover	Opaque Cover	Clear Cover	Mounting Feet	Mounting Flange	Stainless Steel Locking Latch	Non-Metallic Locking Latch
H181608S	✓	✓		✓	✓		✓			
H181608SC	✓	✓		✓		✓	✓			
H181608SF	✓	✓		✓	✓			✓		
H181608SCF	✓	✓		✓		✓		✓		
H181608H	✓		✓	✓	✓		✓			
H181608HC	✓		✓	✓		✓	✓			
H181608HF	✓		✓	✓	✓			✓		
H181608HCF	✓		✓	✓		✓		✓		
H181608HLL*	✓		✓		✓		✓		✓	
H181608HCLL*	✓		✓			✓	✓		✓	
H181608HFLL	✓		✓		✓			✓	✓	
H181608HCFLL	✓		✓			✓		✓	✓	
H181608HNL	✓		✓		✓		✓			✓
H181608HCNL	✓		✓			✓	✓			✓
H181608HFNL	✓		✓		✓			✓		✓
H181608HCFNL	✓		✓			✓		✓		✓
H181608H-6P	✓	✓	✓	✓	✓		✓			
H181608HC-6P	✓	✓	✓	✓		✓	✓			
H181608HF-6P	✓	✓	✓	✓	✓			✓		
H181608HCF-6P	✓	✓	✓	✓		✓		✓		

\*POPULAR CONFIGURATIONS: Most popular configurations are available for QuickShip. Please send requests to customerservice@integraenclosures.com to take advantage of our QuickShip option. This size also available in low profile hinge. Call Integra for details.



# 18X16X8 PREMIUM LINE



[Bracketed measurements in mm] Register online to download detailed drawing files at [www.integraenclosures.com](http://www.integraenclosures.com)

## Accessories for 18x16x8 (For complete accessories, see pages 75-79)



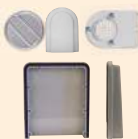
**Back Panels**  
**ABP1816** - Aluminum panel  
**SBP1816** - Steel panel  
**PVCBP1816** - PVC panel



**Aluminum Swing Out Panels**  
**ABP-1816-USOPK** - Complete panel kit  
**ABP-1816USP** - Aluminum swing out panels only  
**USOPK** - Hardware only



**Back Panel Adjustment Kit**  
**BPAKG** - Gray, Set Screw  
**BPAKB** - Black, Set Screw  
**UBPAKG** - Gray, Thumb Screw  
**UBPAKB** - Black Thumb Screw



**Air Vents / Fan Shrouds**  
**VENT 3** - Aluminum louvered  
**VENT 2** - Outdoor labyrinth  
**FS KIT1** - 1 piece kit  
**FS KIT2** - 2 piece kit



**Steel Swing Out Panels**  
**SBP-1816-USOPK** - Complete panel kit  
**SBP-1816USP** - Steel swing out panels only  
**USOPK** - Hardware only



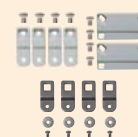
**Cord Grips**  
 IP68/NEMA 4X/6P rated  
 See page 72 for more details and part numbers.



**Din Rail**  
**DIN 16** - 2 rails, 4 screws



**Pole Mounting Kit**  
**PMKG-216** - 2" pole  
**PMKG-316** - 3" pole  
**PMKG-416** - 4" pole  
**PMKG-1216** - 12" pole



**Mounting Feet & Flange Kits**  
**MFKG** - Premium line feet  
**MFKSS** - Stainless steel feet  
**MFLK16** - 16" Flange kit