

AN-1812 ADC Driver Evaluation Boards

1 General Description

The ADC driver evaluation boards are designed to aid in the characterization of high-speed operational amplifier portfolio. Utilize these evaluation boards as guides for high frequency layout and as tools to aid in the design of ADC driver applications. Although specifically designed for high speed op amps, these evaluation boards can be used for op amps in the following packages with the same pinout.

ADC Driver Configuration	Package	Device
Single to Single	6-Pin SOT23	LMH6611MK or LMH6618MK
Single to Differential	8-Pin SOIC	LMH6612MA or LMH6619MA
Differential to Differential	8-Pin SOIC	LMH6612MA or LMH6619MA

2 Basic Operation

2.1 Single to Single ADC Driver

This architecture has a single-ended input source connected to the input of the op amp and the single-ended output of the op amp can then be fed off board to the single-ended input of an ADC. [Figure 1](#) shows the board schematic of the single to single ADC driver in a 2nd order multiple-feedback inverting configuration. The inverting configuration is preferred over the non-inverting configuration, as it offers more linear output response. The ADC driver's cutoff frequency is found from the equation:

$$f_0 = \frac{1}{2\pi} \sqrt{\frac{1}{R_2 * R_3 * C_2 * C_3}} \quad (1)$$

The op amp's gain is set by the equation:

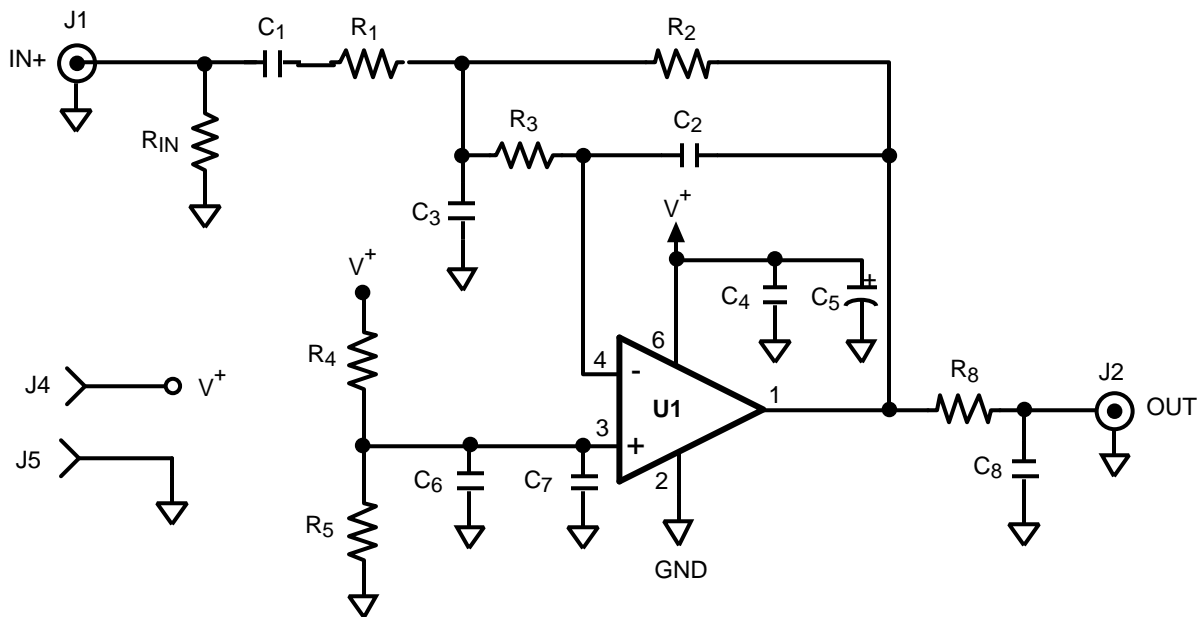
$$\text{GAIN} = - \frac{R_2}{R_1} \quad (2)$$

2.2 Single to Differential ADC Driver

The single to differential ADC driver board schematic, in [Figure 2](#), utilizes a dual op amp to buffer a single-ended source to drive an ADC with differential inputs. One of the op amps, U1A, is configured as a unity gain buffer that drives the inverting (IN–) input of the op amp U1B and the non-inverting (IN+) input of the ADC. U1B inverts the input signal and drives the inverting input of the ADC. The ADC driver is configured for a gain of +2 to reduce the noise without sacrificing THD performance. The common mode voltage of 2.5V is supplied at the non-inverting inputs of both op amps U1A and U1B. This configuration produces differential $\pm 2.5 V_{PP}$ output signals, when the single-ended input signal of 0 to VREF is AC coupled into the non-inverting terminal of the op amp and each non-inverting terminal of the op amp is biased at the mid-scale of 2.5V. The two output RC anti-aliasing filters are used between the outputs of both U1A and U1B and the inputs of the ADC to minimize the effect of undesired high frequency noise coming from the input source. Each RC filter's cutoff frequency is found from the equation:

$$f_0 = \frac{1}{2\pi RC} \quad (3)$$

All trademarks are the property of their respective owners.


Figure 1. Single to Single ADC Driver Board Schematic

A sample Bill of Material (BOM) for a single to single ADC driver board is given in [Table 1](#). The ADC driver will have a cutoff frequency of 500 kHz and a gain of -1.

Table 1. Bill of Material

Designator	Description	Comment
C ₁	0805 Capacitor	1 μ F
C ₂	0805 Capacitor	150 pF
C ₃	0805 Capacitor	1 nF
C ₄	0603 Capacitor	0.1 μ F
C ₅	Tantalum Capacitor	6.8 μ F
C ₆	0805 Capacitor	5.6 μ F
C ₇	0805 Capacitor	0.1 μ F
C ₈	0805 Capacitor	220 pF
J1	SMA Connector	IN+
J2	SMA Connector	OUT
J4, J5	Test Point	Test Point
R ₁ , R ₂	0805 Capacitor	549
R ₃	0805 Capacitor	1.24k
R ₄ , R ₅	0805 Capacitor	14.3k
R ₈	0805 Capacitor	22
R _{IN}	0805 Capacitor	50
U1	6-Pin SOT23	LMH6611/LMH6618

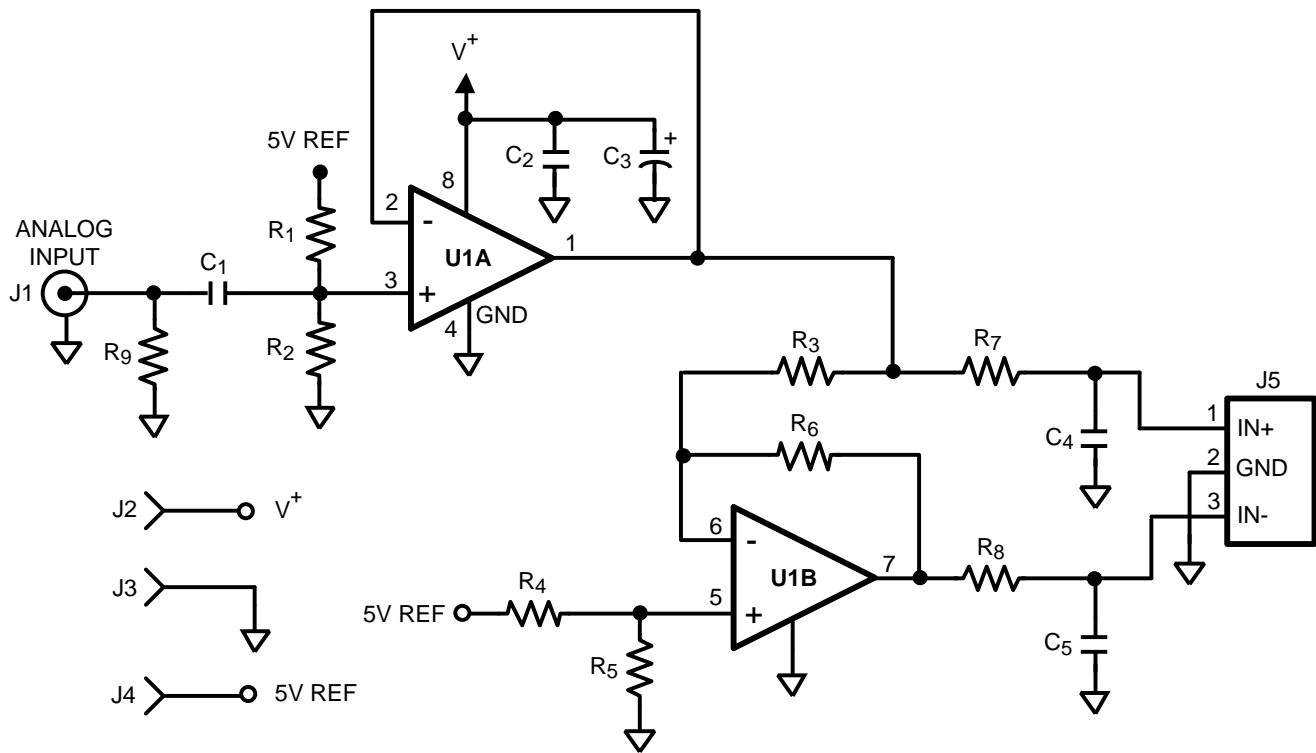


Figure 2. Single to Differential ADC Driver Board Schematic

A sample Bill of Material (BOM) for a single to differential ADC driver board is given in [Table 2](#).

Table 2. Bill of Materials

Designator	Description	Comment
C ₁	0805 Capacitor	10 μF
C ₂	0805 Capacitor	0.1 μF
C ₃	Tantalum Capacitor	6.8 μF
C ₄ , C ₅	0805 Capacitor	220 pF
J1	SMA Connector	Analog Input
J2, J3, J4	Test Point	Test Point
J5	SIP3	Out
R ₁ , R ₂ , R ₄ , R ₅	0805 Capacitor	2.5k
R ₃ , R ₆	0805 Capacitor	560
R ₇ , R ₈	0805 Capacitor	33
R ₉	0805 Capacitor	50
U1	8-Pin SOIC	LMH6612/LMH6619

2.3 Differential to Differential ADC Driver

A dual op amp can be configured as a differential to differential ADC driver to buffer a differential source to a differential input ADC, as shown in Figure 3. The differential to differential ADC driver can be formed using two single to single ADC drivers. Each output from these drivers goes to a separate input of the differential ADC. Each single to single ADC driver uses the same components and is in a multi-feedback inverting configuration.

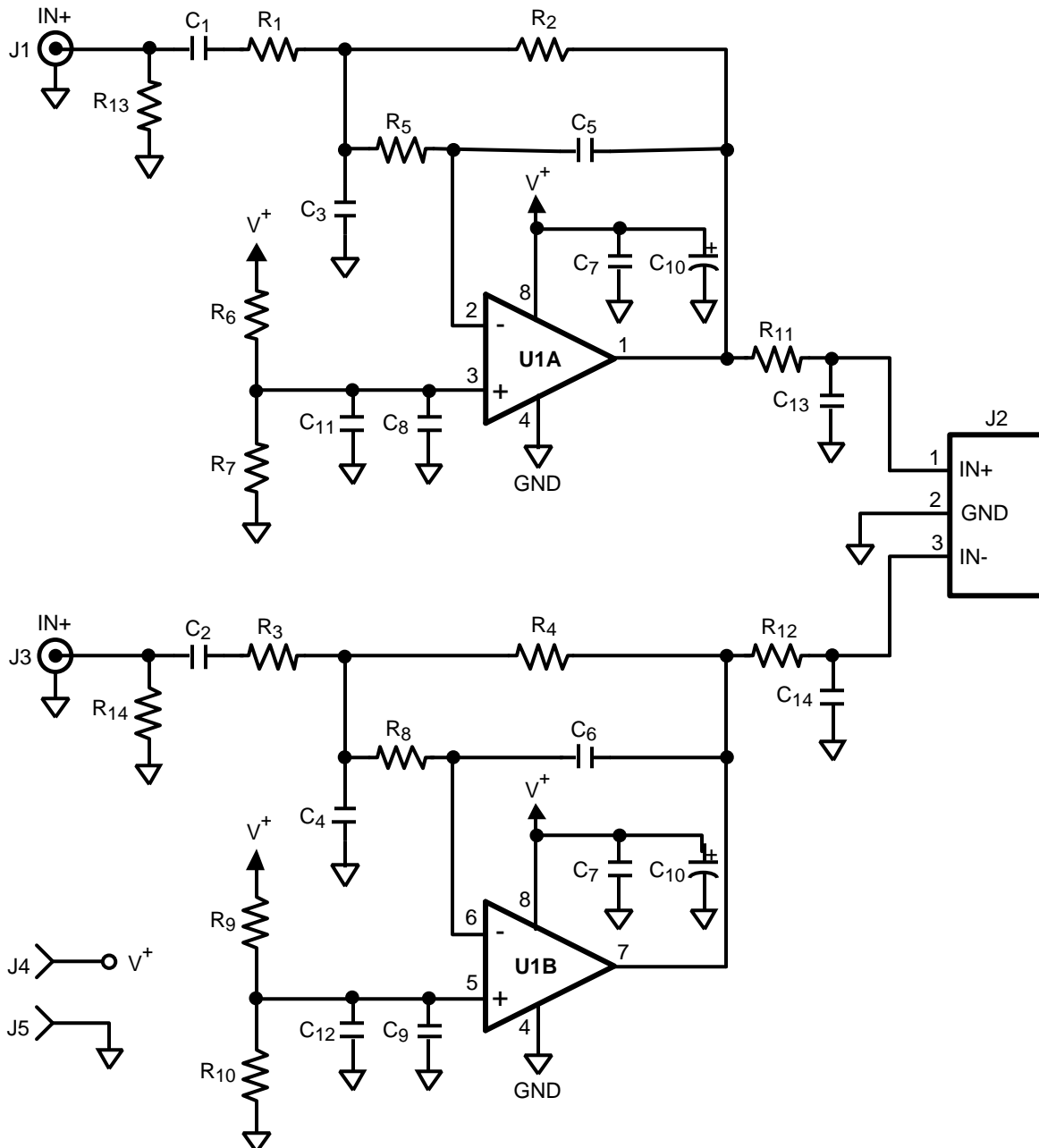


Figure 3. Differential to Differential ADC Driver Board Schematic

A sample Bill of Material (BOM) for a differential to differential ADC driver board is given in [Table 3](#). The ADC driver will have a cutoff frequency of 500 kHz and a gain of -1.

Table 3. Bill of Materials

Designator	Description	Comment
C ₁ , C ₂	0805 Capacitor	1 μF
C ₃ , C ₄	0805 Capacitor	1 nF
C ₅ , C ₆	0603 Capacitor	150 pF
C ₇ , C ₈ , C ₉	0805 Capacitor	0.1 μF
C ₁₀	Tantalum Capacitor	6.8 μF
C ₁₁ , C ₁₂	0805 Capacitor	5.6 μF
C ₁₃ , C ₁₄	0805 Capacitor	220 pF
J1, J3	SMA Connector	IN+
J2	SIP3	Out
J4, J5	Test Point	Test Point
R ₁ , R ₂ , R ₃ , R ₄	0805 Capacitor	549
R ₅ , R ₈	0805 Capacitor	1.24k
R ₆ , R ₇ , R ₉ , R ₁₀	0805 Capacitor	14.3k
R ₁₁ , R ₁₂	0805 Capacitor	22
R ₁₃ , R ₁₄	0805 Capacitor	50
U1	8-Pin SOIC	LMH6612/LMH6619

3 Measurement Hints

It is important to connect the input source ground with the supply ground. For each ADC driver configuration, it is important to account for the impedance of the signal source when setting up the resistor networks to ensure that the differential outputs have the same gain. For example, an audio precision signal generator has about 22Ω of source impedance and the typical board termination is 50Ω, so the gain and input signal must be adjusted in order to obtain the desired signal at the output of the op amp.

4 Layout Considerations

The following are recommendations for PCB layout in order to obtain the optimum high frequency performance:

- Place the ADC and amplifier as close together as possible.
- Put the supply bypassing capacitors as close as possible to the device (<1").
- Utilize surface mount components instead of through-hole components.
- Keep the traces short where possible.
- Use terminated transmission lines for long traces.

The top and bottom layouts are shown in [Figure 4](#), [Figure 5](#), and [Figure 6](#).

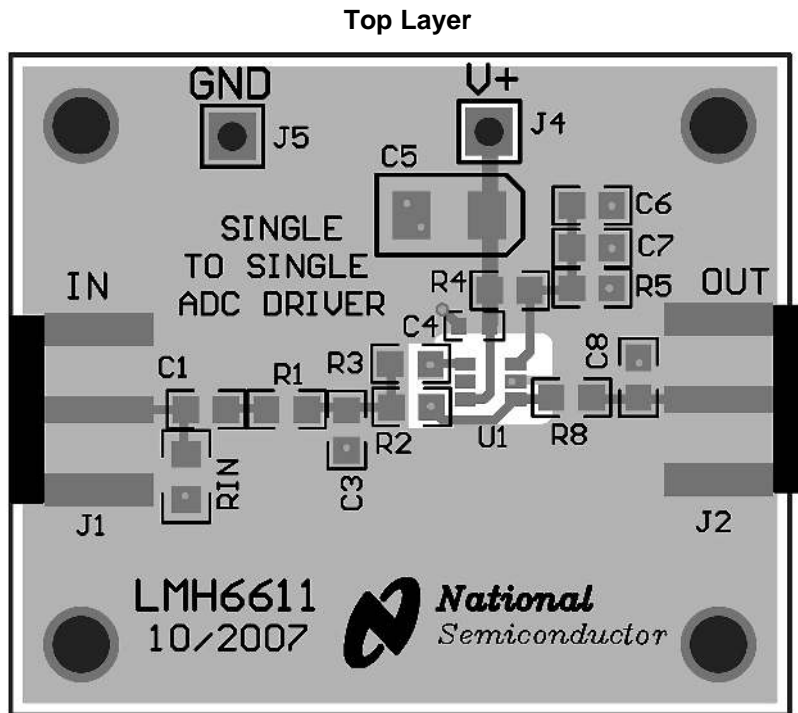


Figure 4. Single to Single ADC Driver

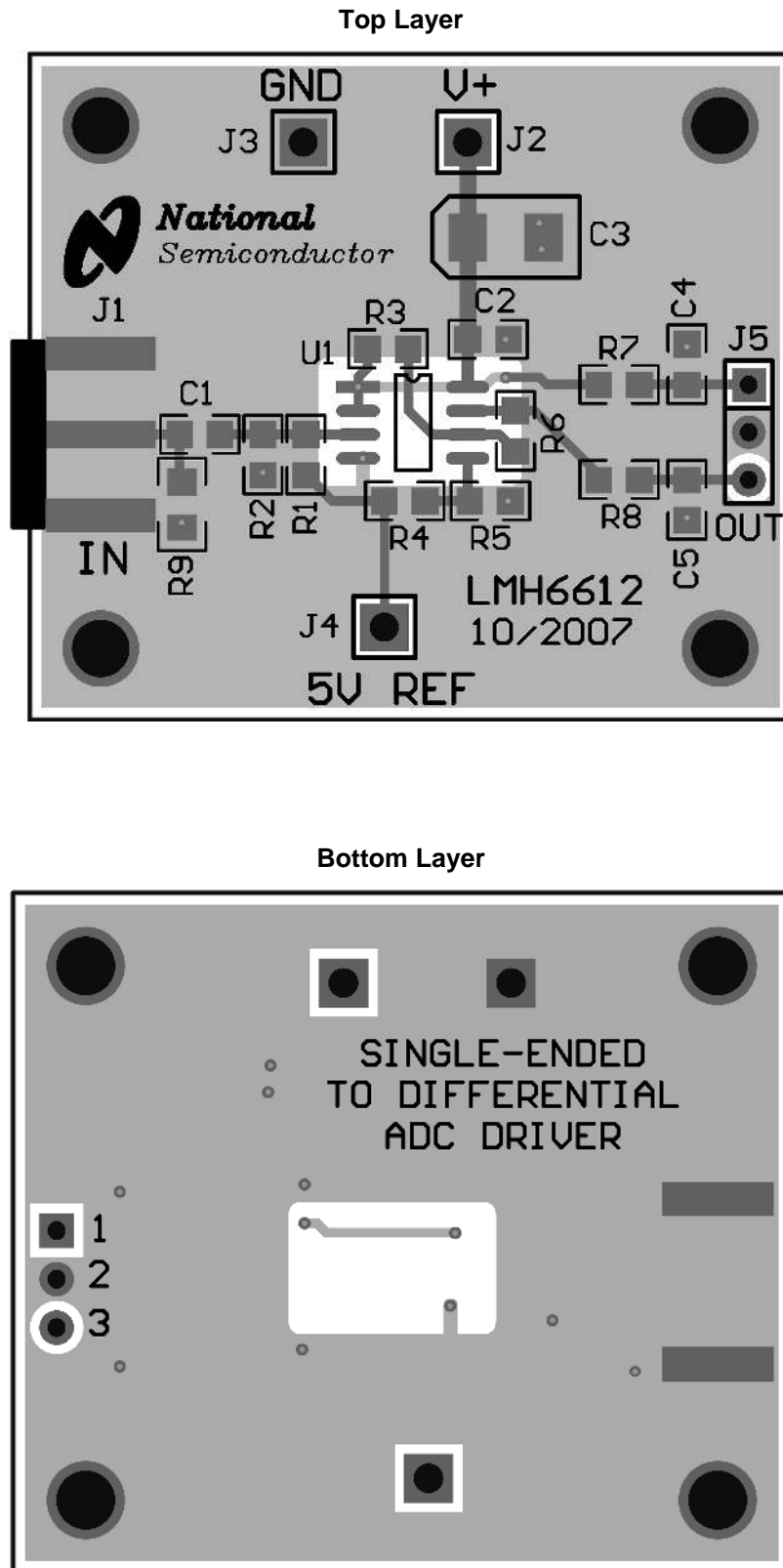


Figure 5. Single to Differential ADC Driver

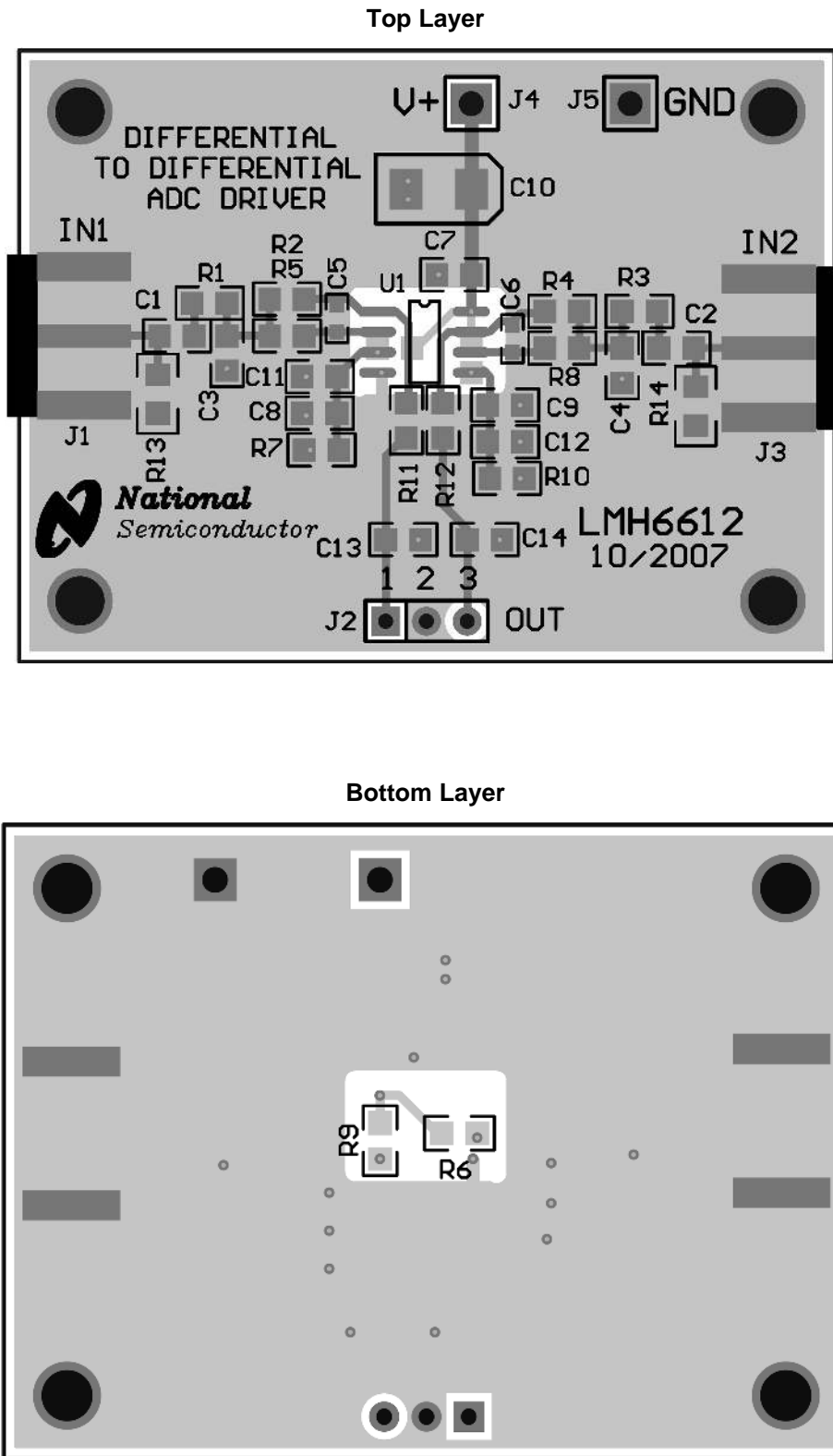


Figure 6. Differential to Differential ADC Driver

IMPORTANT NOTICE

Texas Instruments Incorporated and its subsidiaries (TI) reserve the right to make corrections, enhancements, improvements and other changes to its semiconductor products and services per JESD46, latest issue, and to discontinue any product or service per JESD48, latest issue. Buyers should obtain the latest relevant information before placing orders and should verify that such information is current and complete. All semiconductor products (also referred to herein as "components") are sold subject to TI's terms and conditions of sale supplied at the time of order acknowledgment.

TI warrants performance of its components to the specifications applicable at the time of sale, in accordance with the warranty in TI's terms and conditions of sale of semiconductor products. Testing and other quality control techniques are used to the extent TI deems necessary to support this warranty. Except where mandated by applicable law, testing of all parameters of each component is not necessarily performed.

TI assumes no liability for applications assistance or the design of Buyers' products. Buyers are responsible for their products and applications using TI components. To minimize the risks associated with Buyers' products and applications, Buyers should provide adequate design and operating safeguards.

TI does not warrant or represent that any license, either express or implied, is granted under any patent right, copyright, mask work right, or other intellectual property right relating to any combination, machine, or process in which TI components or services are used. Information published by TI regarding third-party products or services does not constitute a license to use such products or services or a warranty or endorsement thereof. Use of such information may require a license from a third party under the patents or other intellectual property of the third party, or a license from TI under the patents or other intellectual property of TI.

Reproduction of significant portions of TI information in TI data books or data sheets is permissible only if reproduction is without alteration and is accompanied by all associated warranties, conditions, limitations, and notices. TI is not responsible or liable for such altered documentation. Information of third parties may be subject to additional restrictions.

Resale of TI components or services with statements different from or beyond the parameters stated by TI for that component or service voids all express and any implied warranties for the associated TI component or service and is an unfair and deceptive business practice. TI is not responsible or liable for any such statements.

Buyer acknowledges and agrees that it is solely responsible for compliance with all legal, regulatory and safety-related requirements concerning its products, and any use of TI components in its applications, notwithstanding any applications-related information or support that may be provided by TI. Buyer represents and agrees that it has all the necessary expertise to create and implement safeguards which anticipate dangerous consequences of failures, monitor failures and their consequences, lessen the likelihood of failures that might cause harm and take appropriate remedial actions. Buyer will fully indemnify TI and its representatives against any damages arising out of the use of any TI components in safety-critical applications.

In some cases, TI components may be promoted specifically to facilitate safety-related applications. With such components, TI's goal is to help enable customers to design and create their own end-product solutions that meet applicable functional safety standards and requirements. Nonetheless, such components are subject to these terms.

No TI components are authorized for use in FDA Class III (or similar life-critical medical equipment) unless authorized officers of the parties have executed a special agreement specifically governing such use.

Only those TI components which TI has specifically designated as military grade or "enhanced plastic" are designed and intended for use in military/aerospace applications or environments. Buyer acknowledges and agrees that any military or aerospace use of TI components which have **not** been so designated is solely at the Buyer's risk, and that Buyer is solely responsible for compliance with all legal and regulatory requirements in connection with such use.

TI has specifically designated certain components as meeting ISO/TS16949 requirements, mainly for automotive use. In any case of use of non-designated products, TI will not be responsible for any failure to meet ISO/TS16949.

Products

Audio	www.ti.com/audio
Amplifiers	amplifier.ti.com
Data Converters	dataconverter.ti.com
DLP® Products	www.dlp.com
DSP	dsp.ti.com
Clocks and Timers	www.ti.com/clocks
Interface	interface.ti.com
Logic	logic.ti.com
Power Mgmt	power.ti.com
Microcontrollers	microcontroller.ti.com
RFID	www.ti-rfid.com
OMAP Applications Processors	www.ti.com/omap
Wireless Connectivity	www.ti.com/wirelessconnectivity

Applications

Automotive and Transportation	www.ti.com/automotive
Communications and Telecom	www.ti.com/communications
Computers and Peripherals	www.ti.com/computers
Consumer Electronics	www.ti.com/consumer-apps
Energy and Lighting	www.ti.com/energy
Industrial	www.ti.com/industrial
Medical	www.ti.com/medical
Security	www.ti.com/security
Space, Avionics and Defense	www.ti.com/space-avionics-defense
Video and Imaging	www.ti.com/video

TI E2E Community

e2e.ti.com