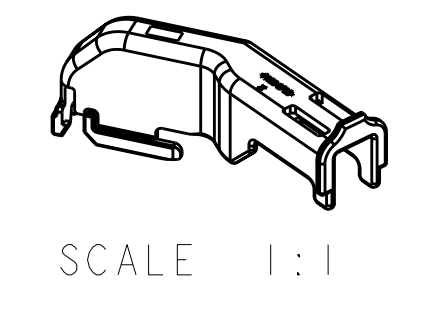
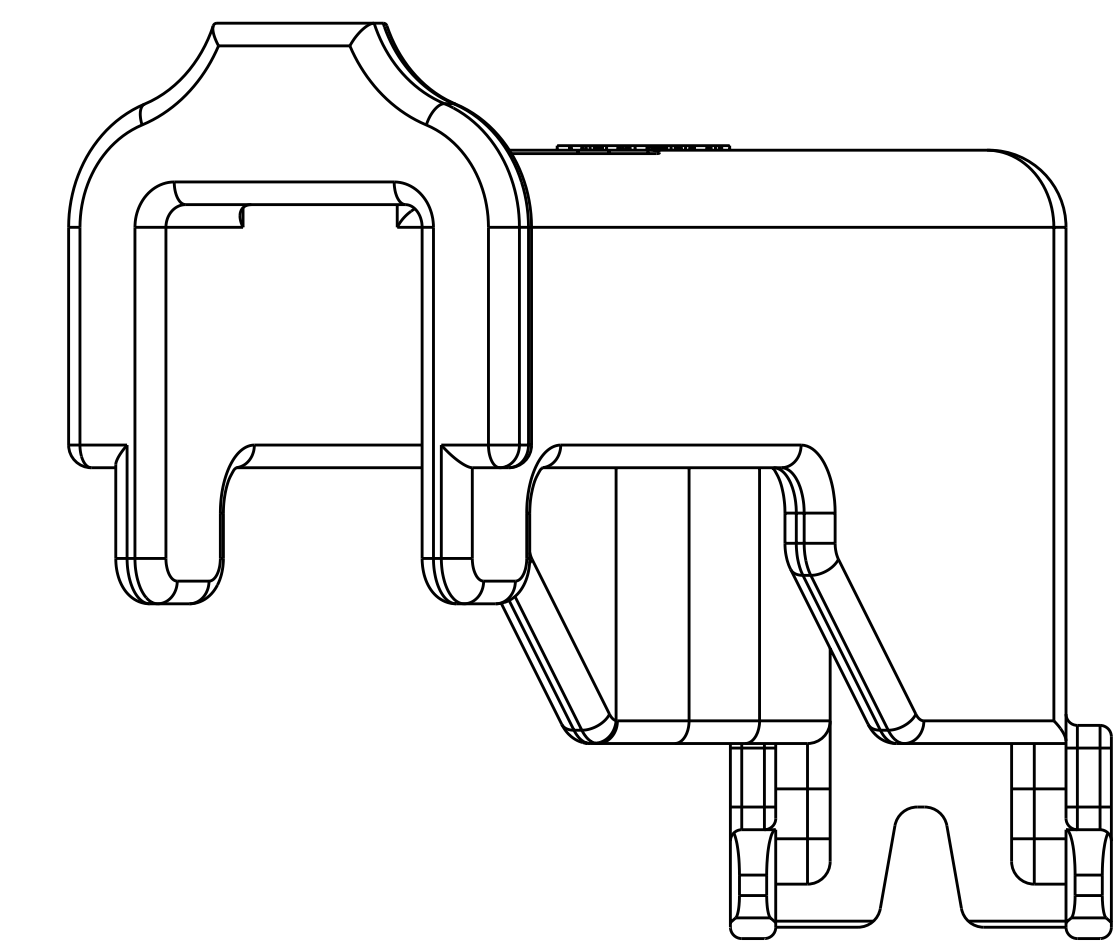
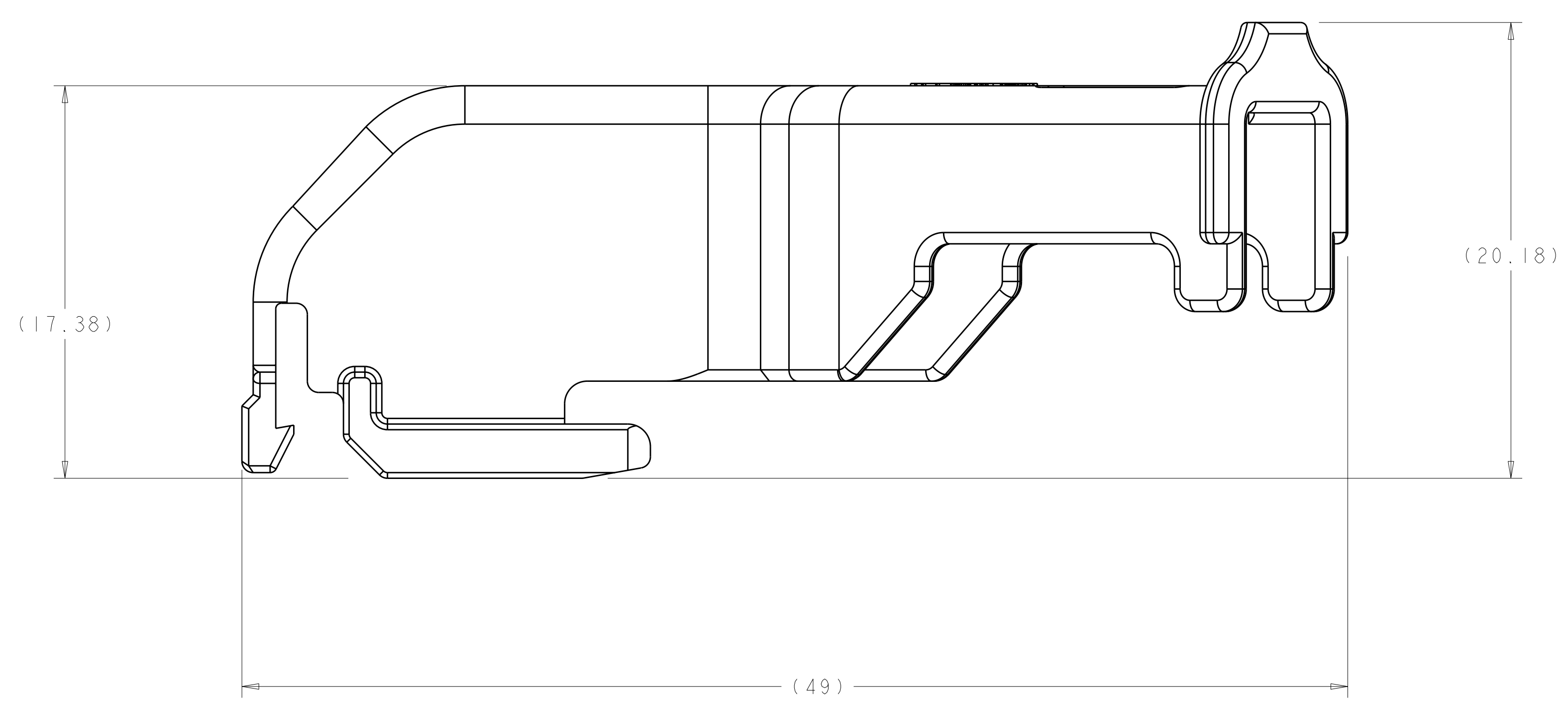
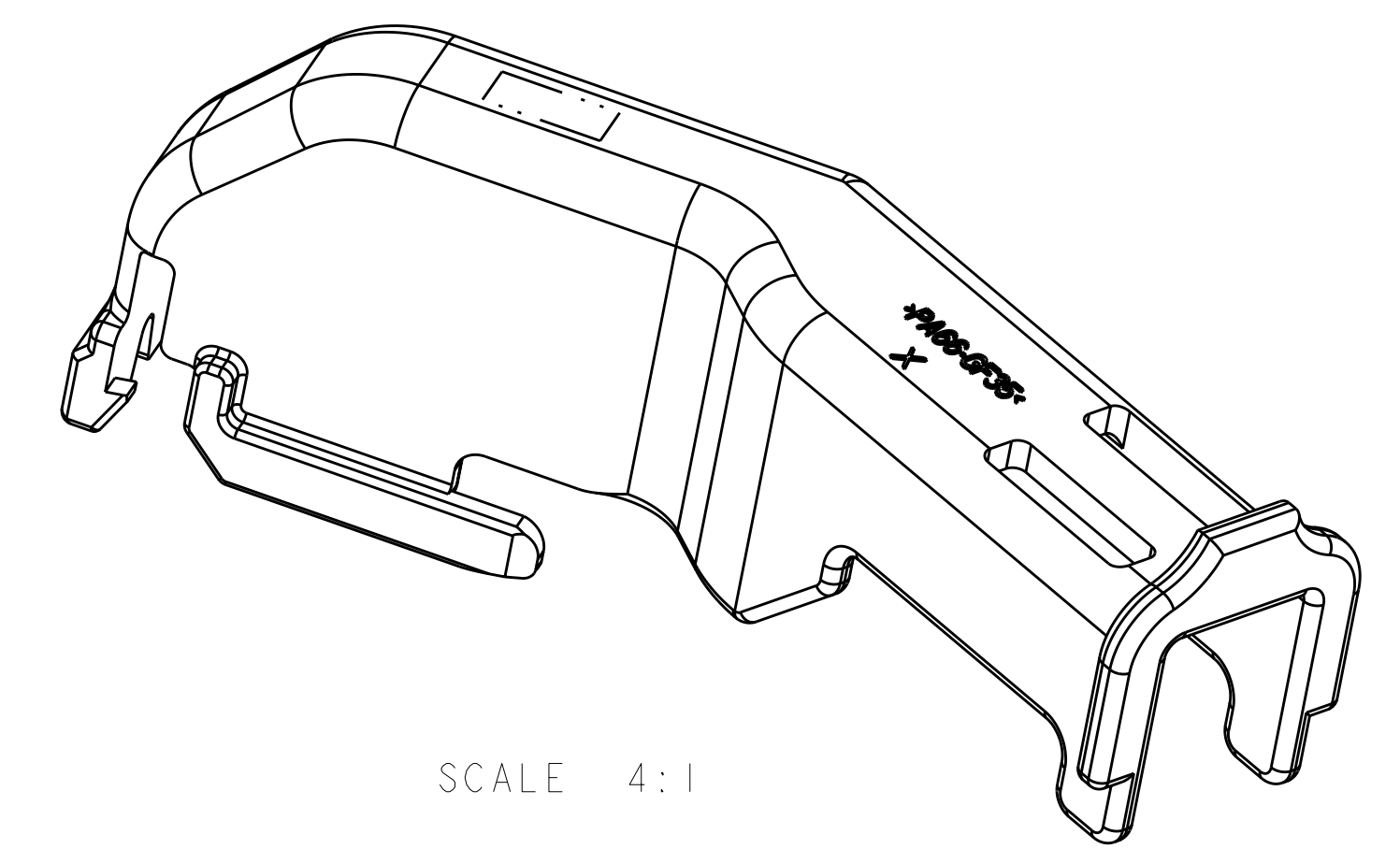
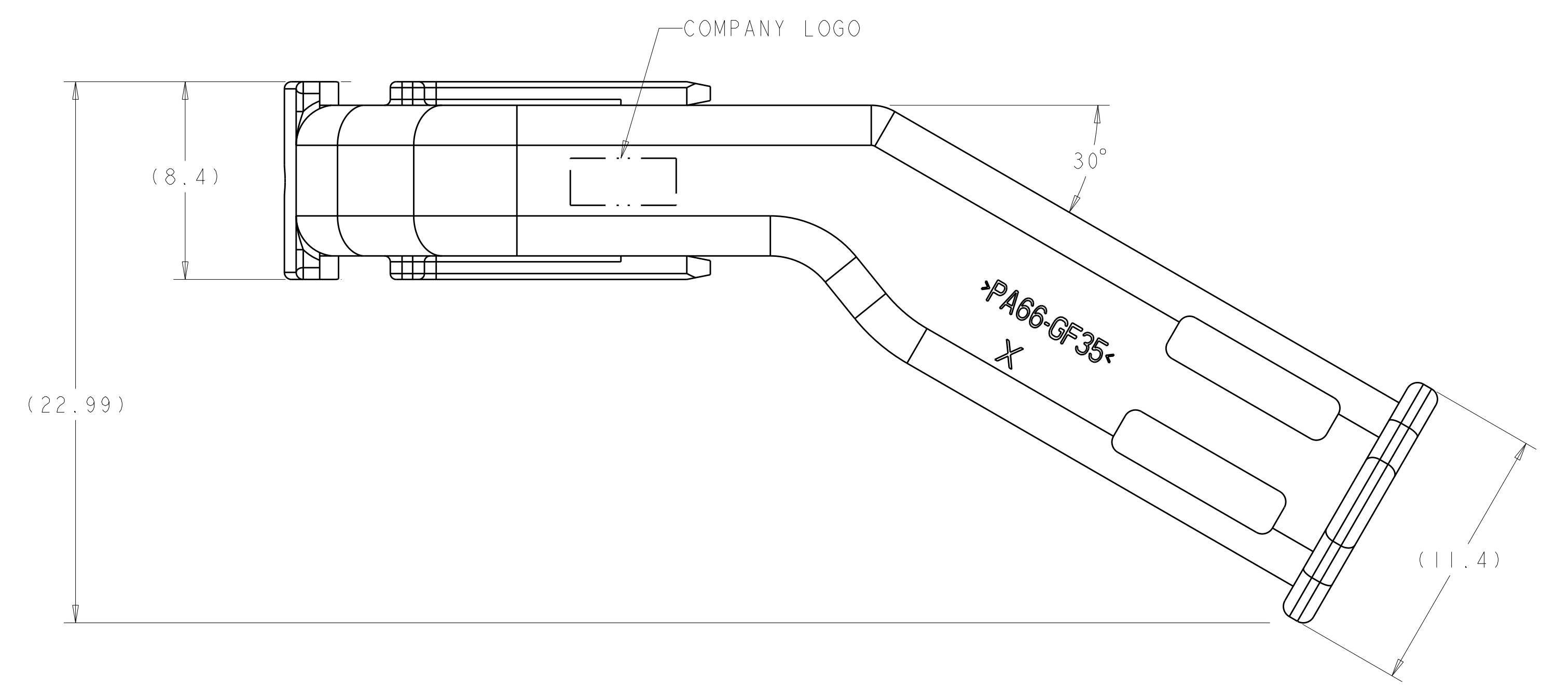


LOC	DIST	REVISIONS			
AA	00	REV	DATE	BY	APP'D
		2	09NOV2004	VS	HB
		3	23AUG2005	WH	HB
		A	14SEP2005	WH	HB
		A1	24JUN2010	VSS	DZ

1. THIS WIRE DRESS COVER MATES WITH CONNECTOR ASSEMBLY 1326942-1.



PA66-GF35	BLACK	1326941-1
MATERIAL	COLOR	PART NO.

<small>THIS DRAWING IS UNPUBLISHED. RELEASED FOR PUBLICATION BY TYCO ELECTRONICS CORPORATION. ALL RIGHTS RESERVED.</small>		DWN: VJC SLACK 05NOV2004 CBY: HOY BECK 05NOV2004 AP'D: HOY BECK 05NOV2004	Tyco Electronics Harrisburg, PA 17105-3608
DIMENSIONS: mm 	TOLERANCES UNLESS OTHERWISE SPECIFIED: 0 PLC ± 1 PLC ±0.3 2 PLC ±0.10 3 PLC ± 4 PLC ± ANGLES ±° FINISH -	NAME: ANGLD WIRE DRESS COVER PRODUCT SPEC - APPLICATION SPEC - WEIGHT - CUSTOMER DRAWING	SIZE: A   00779   C=1326941 SCALE: 6:1 SHEET 1 OF 1 REV A1