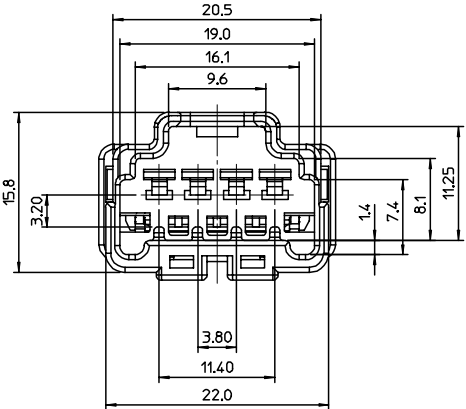
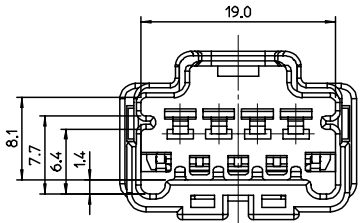


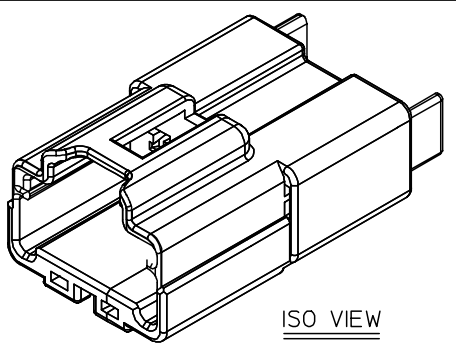
DWG. NO. SD-49035-001  
 SIMILAR ITEM  
 PROJECT NO.  
 DO NOT SCALE DRAWING  
 DIMENSION IN METRIC



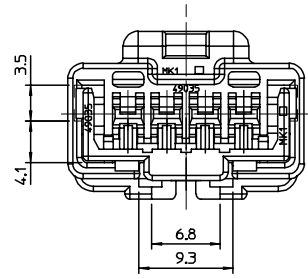
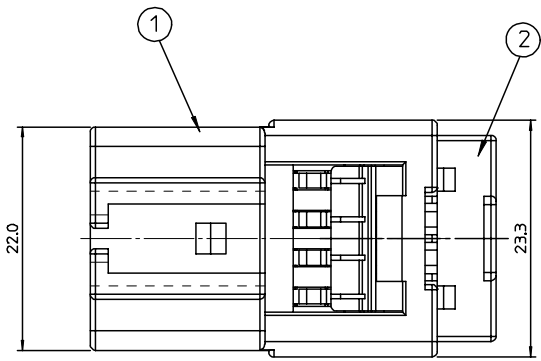
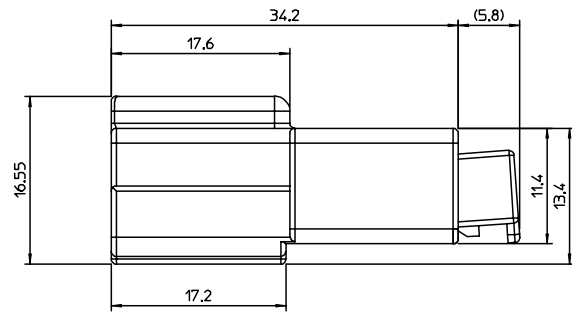
49035-0410/0415



49035-0417



ISO VIEW



<NOTE>

1. MATERIAL : SEE TABLE
2. MATING CONNECTOR : 49036-0410/0417
3. APPLICABLE TERMINAL : 35420-9\*02

| NO. | PART NO.       | PART NAME     | MATERIAL  | COLOR   |
|-----|----------------|---------------|-----------|---------|
| 1   | (A) 49035-0490 | .090 M/HSG 4P | POLYESTER | NATURAL |
|     | (B) 49035-0495 | .090 M/HSG 4P | POLYESTER | GRAY    |
|     | (C) 49035-0497 | .090 M/HSG 4P | POLYESTER | BROWN   |
|     | (D) 49035-0481 | .090 M/TPA 4P | POLYESTER | BLACK   |

| MATERIAL NO. | ENG. NO.   | REMARKS   |
|--------------|------------|-----------|
| 490350410    | 49035-0410 | (A) + (D) |
| 490350415    | 49035-0415 | (B) + (D) |
| 490350417    | 49035-0417 | (C) + (D) |

|   |   |  |  |  |  |  |  |                    |
|---|---|--|--|--|--|--|--|--------------------|
| NEW RELEASED<br>ECN NO. KOR2004-0092<br>DRWNS.MKIM 04/01/27<br>CHK.B.C.YOON 04/01/27<br>APPR.C.WLEE | QUALITY SYMBOLS<br>MAJOR<br>CRITICAL<br>C | GENERAL TOLERANCES: (UNLESS SPECIFIED) |  | SCALE 2:1                              | DESIGN UNITS<br><input checked="" type="checkbox"/> mm <input type="checkbox"/> INCH | THIRD ANGLE PROJECTION<br><input type="checkbox"/> THIRD ANGLE <input checked="" type="checkbox"/> FIRST ANGLE | SHT  | REV                |
|   |   | 4 PLACES ±0.                           | ±.   | DRAWN BY & DATE<br>S.M.KIM 03/12/10    | TITLE:<br>.090-II W/W MALE HSG ASS'Y 4P  |  | MOLEX INCORPORATED   | REVISE ON CAD ONLY |
|   |   | 3 PLACES ±0.                           | ±.   | CHECKED BY & DATE<br>B.C.YOON 03/12/10 | MATERIAL NO. SEE TABLE   |  |  |                    |
|   |   | 2 PLACES ±0.20                         | ±.   | APPROVED BY & DATE<br>C.W.LEE 03/12/10 | CAD FILENAME SD49035.MI  |  | THIS DRAWING CONTAINS INFORMATION THAT IS PROPRIETARY TO MOLEX INCORPORATED AND SHOULD NOT BE USED WITHOUT WRITTEN PERMISSION. |                    |
| 1 PLACE ±0.30   | ±.  | ANGULAR: ± 1 °                         | DRAFT WHERE APPLICABLE MUST REMAIN WITHIN DIMENSIONS |  | KOREA  |  | MX-A3  |                    |