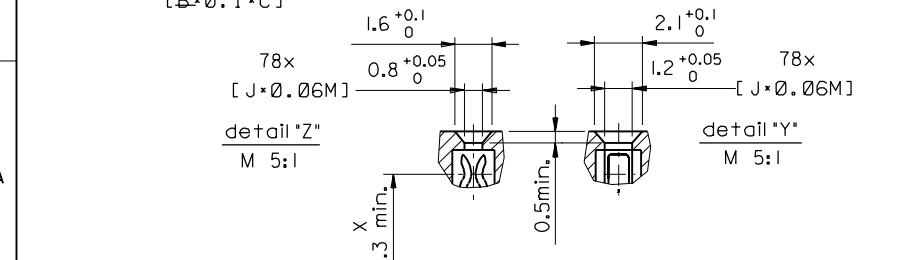
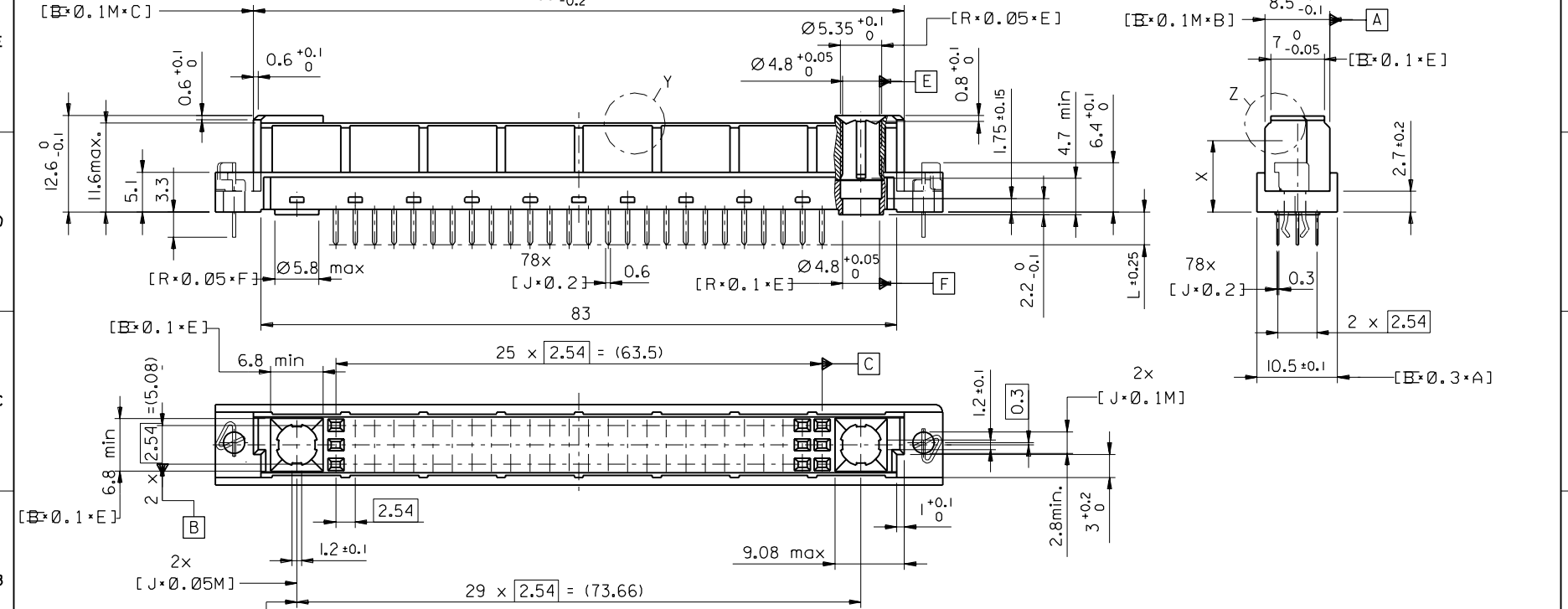


PART NO.
DWG. NO.



FIRST ANGLE PROJECTION		REVISE ONLY ON CAD SYSTEM		SH.	REV.
UNLESS OTHERWISE SPECIFIED TOLERANCES: ANGULAR ±2°		CAD/CAM PROJECT NAME		THIS DRAWING CONTAINS INFORMATION THAT IS PROPRIETARY TO MOLEX INC. & SHOULD NOT BE USED WITHOUT WRITTEN PERMISSION	
INCH		85048000		611	
METRIC		TITLE		78 pol. Federleiste 78 pos. female connector DIN 41612, style M	
3 PLACE ±		DRWG BY		SCALE	
2 PLACE ±		KN		2:1	
1 PLACE ±		CHK'D BY		SIGN	
DRAFT WHERE APPLICABLE MUST REMAIN WITHIN DIMENSIONS		Ca		SIGN	
DESIGN DIMENSION <input checked="" type="checkbox"/> MM		APP'D BY		SIGN	
EQUIVALENT DIMENSION <input type="checkbox"/> MM		JB		SCALE	
FOR PREVIOUS REVISIONS SEE MRI LIST		SCALE		MOLEX MOLEX EUROPE	
IF TWO DIMENSIONS ARE SHOWN THE UPPER IS THE DESIGN DIMENSION, LOWER IS SECONDARY		SCALE		SHEET NO. DATE	
ECN 2478		SCALE		1 OF 2 97/04/11	
first release		SCALE		PART NO.	
A		SCALE		DWG NO.	
LTR		SCALE		SD-85048-0001	
FOR PREVIOUS REVISIONS SEE MRI LIST		SCALE		SIZE	
IF TWO DIMENSIONS ARE SHOWN THE UPPER IS THE DESIGN DIMENSION, LOWER IS SECONDARY		SCALE		B	

