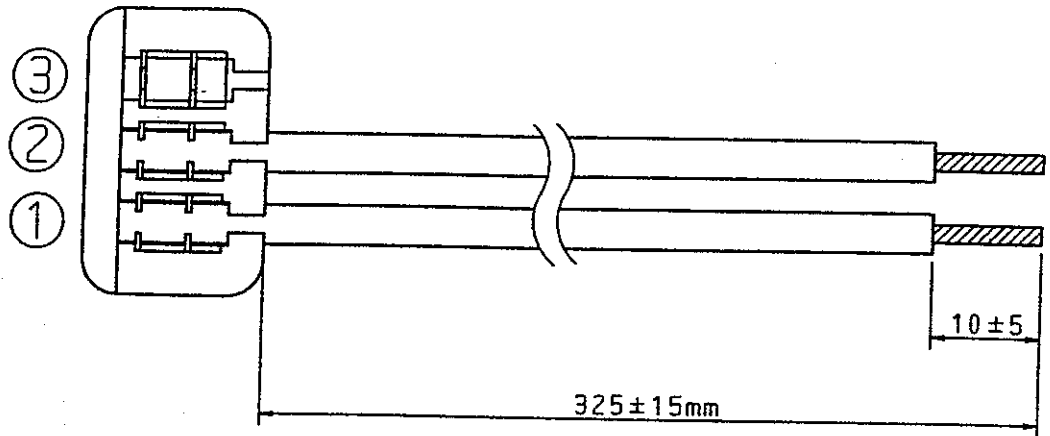


P11031-ND (FL-ZLA609)



Lead Wire:UL 1061 AWG26

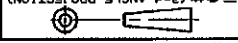
Connector:AMP 173977-3

Pin No.	Connector Position	Color
1	⊕	Red
2	⊖	Black
3	Open	

						Model	FBA TYPE
						Name	Lead Wire Assembly
						No.	
Scale	Designed	Drawn	Checked	Checked	Approved		

CAD
MATSUMOTO
99.07.25

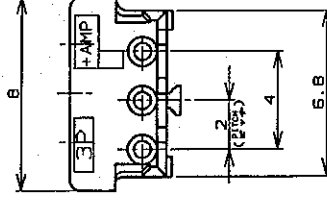
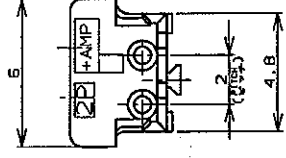
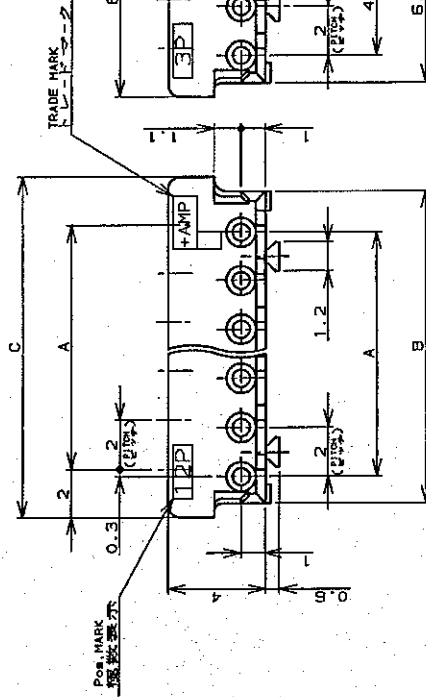
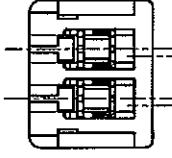
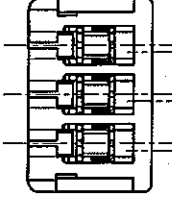
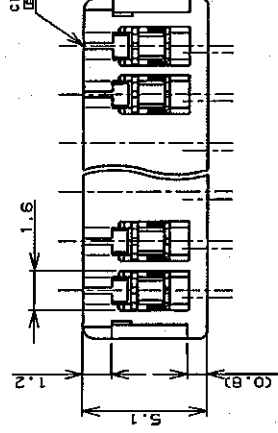
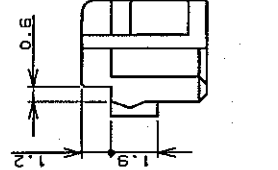
NUMBER C-173977



METRIC

ALL DIMENSIONS IN MM. DO NOT SCALE PRINT

PRINT DIST



Pos. 2 極

Pos. 3 極

Pos. 4~15 極

注記

- 1. 適用電線範囲 : AWG# 28-26 (UL1571, UL1061)
線径外径 : 0.83-1.05
 - 2. 材料 : ハウジングがガラス入りPBT UL94V-0
コンタクト線メッキが金メッキ
 - 3. 適用製品規格番号 : 108-5218
 - 4. 取付適用規格番号 : 114-5104
- NOTES:
- 1. APPLICABLE WIRE SIZE : AWG# 28-26 (UL1571, UL1061)
 - INSULATION DIA RANGE : 0.85-1.05
 - 2. MATERIAL : HOUSING : PBT (G.F)UL94V-0
CONTACT : PRE-TIN PHOS-BRONZE
 - 3. PRODUCT SPEC : 108-5218
 - 4. APPLICATION SPEC : 114-5104

7-173977-5	5-173977-5	3-173977-5	1-173977-5	15	28	30	B	32
7- ↑	4	3	↑	↑	4	14	26	28
7- ↓	3	3	↓	↓	3	13	24	26
7- ↓	2	3	↓	↓	2	12	22	24
7- ↓	1	3	↓	↓	1	11	20	22
7- ↓	0	3	↓	↓	0	10	18	20
6- ↓	4	2	↓	↓	9	9	16	18
6- ↓	4	2	↓	↓	8	8	14	16
6- ↓	4	2	↓	↓	7	7	12	14
6- ↓	4	2	↓	↓	6	6	10	12
6- ↓	4	2	↓	↓	5	5	8	10
6- ↓	4	2	↓	↓	4	4	6	8
6- ↓	4	2	↓	↓	3	3	-AS SHOWN	-AS SHOWN
6-173977-2	4-173977-2	2-173977-2	173977-2	2	2	2	2	2
黒色	クリームイエロー	ライトブルー	ナチュラル	POS	A	B	C	

Copyright © 1999 ALL RIGHTS RESERVED.		AMP Kawasaki, Japan	
COPYRIGHT © 1999 ALL RIGHTS RESERVED.		PART NO. 製品番号	
MT REC HOUSING ASS'Y CAMP CT CONNECTOR 2mm PITCH		SIZE LOC 極数 (No.)	
GENERAL TOLERANCES DIMENSIONS : 0.25 ANGLES : 0.3 SURFACE FINISH : 0.3		A3 J C-173977	
REVISION RECORD		REV. G 1 OF 1	
DR. J. TSUBOI	CHK. J. TSUBOI	SHEET	

(CUSTOMER DRAWING)

REV. F 093721