

NOTES:

1. MATERIALS AND FINISHES:  
 BODY - PHOSPHOR BRONZE, NICKEL PLATING  
 SHELL - BRASS, NICKEL PLATING  
 CONTACT - BRASS, GOLD PLATING  
 INSULATOR - PTFE, NATURAL  
 INSULATOR DISK - ULTEM, NATURAL  
 SPRING - BeCu, NICKEL PLATING  
 GASKET - RUBBER, RED

2. ELECTRICAL:  
 A. IMPEDANCE: 75 OHM  
 B. FREQUENCY RANGE: DC - 12 GHz  
 C. RETURN LOSS (VSWR): 25 dB MIN (1.11) @ DC - 6 GHz  
                                   20 dB MIN (1.22) @ 6 - 12 GHz  
 D. DIELECTRIC WITHSTANDING VOLTAGE: 1500 VRMS, MIN.

3. MECHANICAL:  
 A. DURABILITY: 500 CYCLES MIN.  
 B. TEMPERATURE RANGE: -30° C TO +85° C

4. CRIMPED FERRULE  
 HEX. CRIMP SIZE .429"

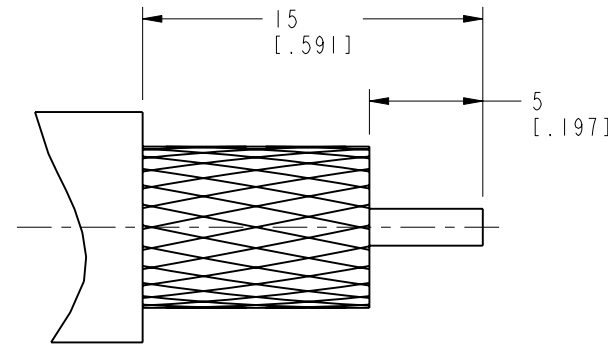
5. CRIMPED CONTACT  
 HEX. CRIMP SIZE .068"

6 SHOWS CABLE ENTRY DIMENSIONS

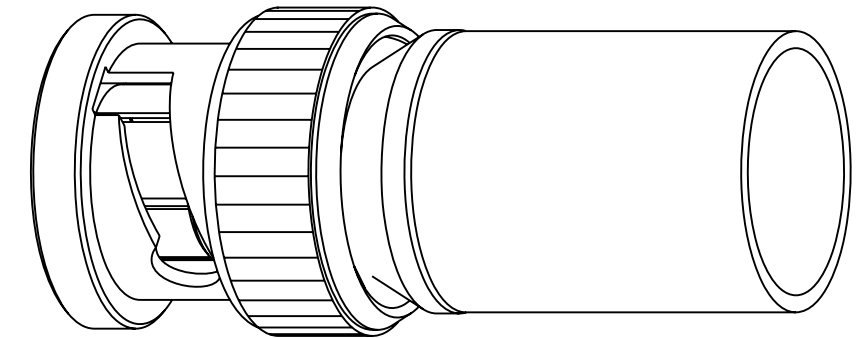
7. PACKAGING:  
 A. QUANTITY: SINGLE PACK  
 B. MARKING: PACKAGING TO BE MARKED  
    "AMPHENOL RF, 31-70560-12G, AND DATE CODE"

THIRD ANGLE PROJ.

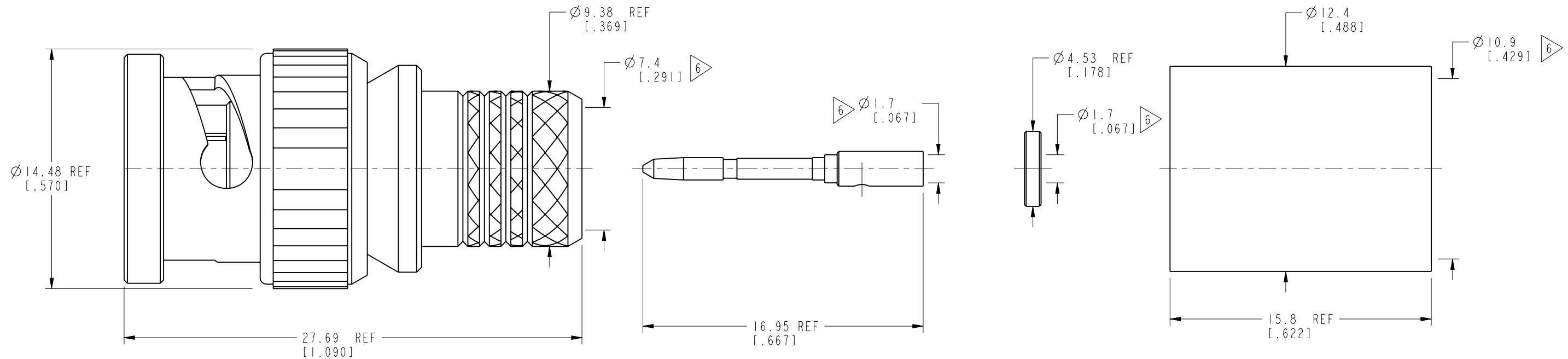
REVISIONS				
REV	DESCRIPTION	DATE	ECN	APPR
A	RELEASE TO MANUFACTURING	12-Dec-18	09941	CJV



RECOMMENDED CABLE STRIPPING DIMENSIONS



SCALE 3.000



**CUSTOMER OUTLINE DRAWING**

ALL OTHER SHEETS ARE FOR INTERNAL USE ONLY

UNLESS OTHERWISE SPECIFIED, DIMENSIONS ARE IN METRIC AND TOLERANCES ARE: <0.5mm ±0.05mm    0.5 - 6mm ±0.1mm    6 - 30mm ±0.2mm    30 - 120mm ±0.3mm    ANGLES ±1°	MATERIAL	DRAWN	DATE	TITLE BNC CRIMP PLUG 75 OHM (FOR BELDEN 4731R & 4731P CABLE)	Amphenol RF www.amphenolrf.com
	SEE NOTES	K. SONG	13-Dec-18		
NOTICE - These drawings, specifications, or other data (1) are, and remain the property of Amphenol corp. (2) must be returned upon request; and (3) are confidential and not to be disclosed to any person other than those to whom they are given by Amphenol Corp. the furnishing of these drawings, specifications, or other data by Amphenol Corp., or to any other person to anyone for any purpose is not to be regarded by implication or otherwise in any manner licensing, granting rights to permitting such holder or any other person to manufacture, use or sell any product, process or design, patented or otherwise, that may in any way be related to or disclosed by said drawings, specifications, or other data.	REFERENCE	ENGINEER	DATE	SCALE: 4.0:1.0	DRAWING NO. 31-70560-12G ITEM NO. 31-70560-12G PART NO. 31-70560-12G
	EAR# 8542	C. VIGORITO	24-Aug-18	SHEET 2 OF 2	
	REF: ---	APPROVED	S. HSIEH	DATE	DWG SIZE
	CONFIGURATION LEVEL: In Work	FINISH	CAD FILE	17-Dec-18	B