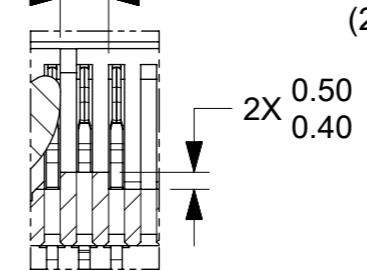


**NOTES:**

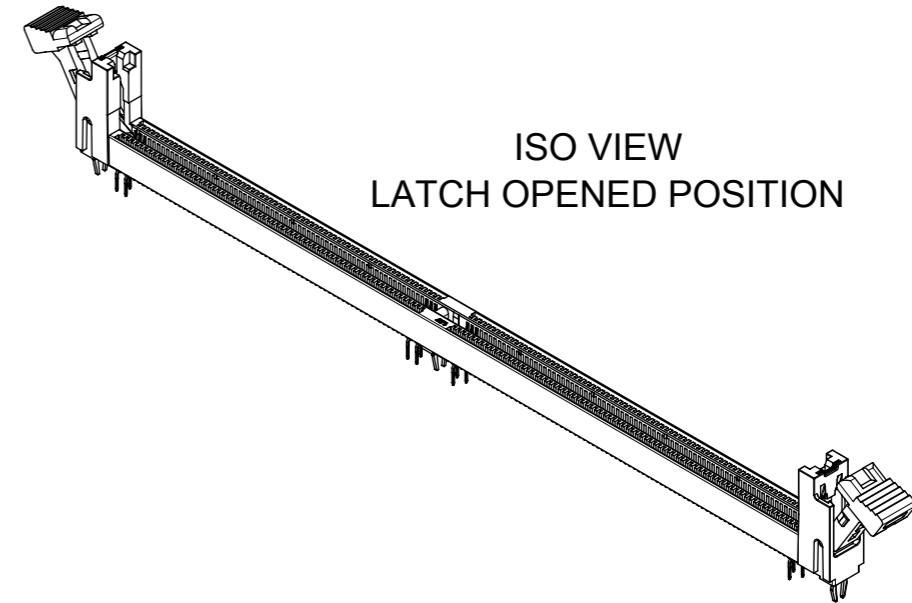
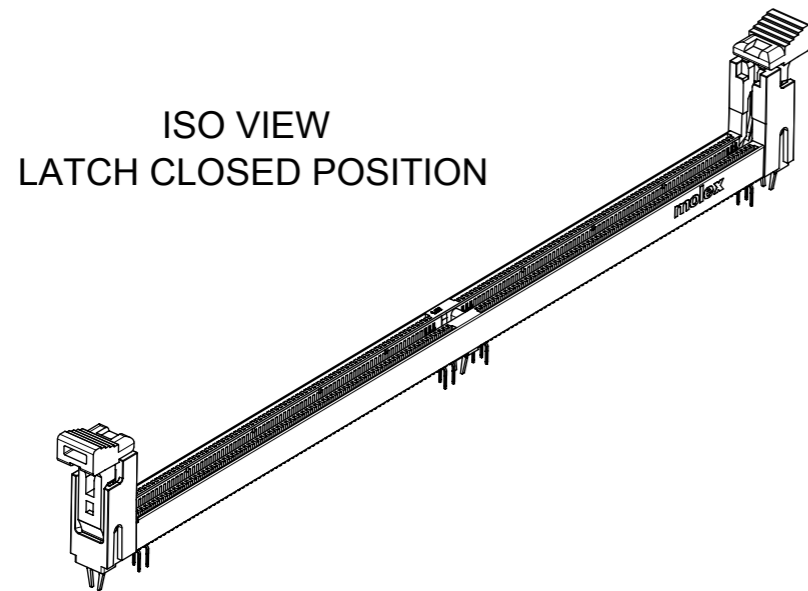
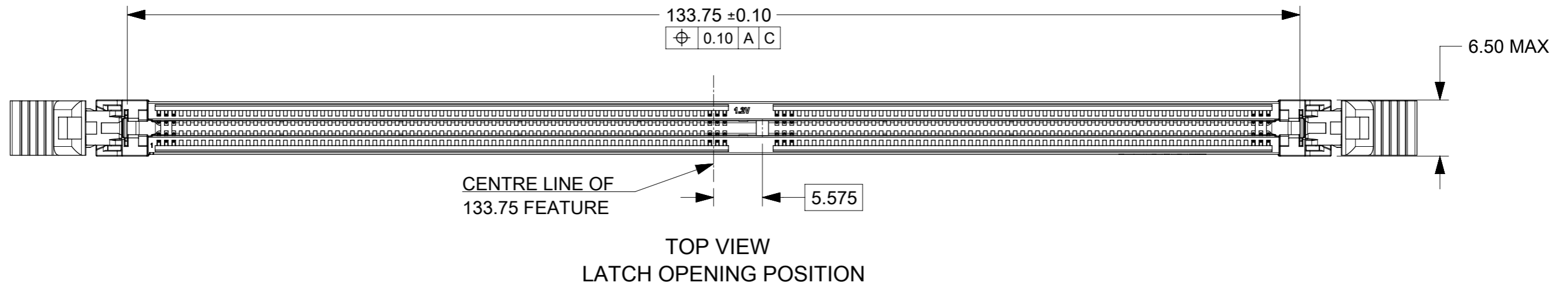
- MATERIAL : HOUSING - HALOGEN FREE HIGH TEMP POLYAMIDE, GLASS FILLED, UL94V-0.  
COLOUR : SEE TABLE ON SHEET 5.  
LATCH - HALOGEN FREE HIGH TEMP POLYAMIDE, GLASS FILLED, UL94V-0.  
COLOUR : SEE TABLE ON SHEET 5.  
TERMINAL : COPPER ALLOY.  
FORKLOCK: COPPER ALLOY.
- FINISHES - SEE TABLE ON SHEET 5.
- PRODUCT SPECIFICATION : SEE TABLE ON SHEET 5.
- PACKAGING SPECIFICATION: PRODUCT SHALL BE PACKED IN TRAY, SEE SHEET 5
- CARD SLOT ACCEPTS 1.40±0.10MM MODULE THICKNESS (MEASURED OVER P.C. PADS).

- ⚠ MOLEX LOGO, DATE & PART NO. INDICATED ON HOUSING.
- ⚠ MODULE SEATING PLANE.
- ⚠ KEEP OUT ZONE RESERVED FOR LATCH.
- ⚠ KEEP OUT AREA IS THE AREA WHERE THE CONNECTOR (INCLUDES LATCHES IN OPENING POSITION) IS MOUNTED ON THE PCB.
- 10.REFER TO AS-78726-001 FOR CONNECTOR APPLICATION GUIDELINE.
- 11.REFER TO AS-78726-002 FOR PCB ROUTING RECOMMENDATIONS.

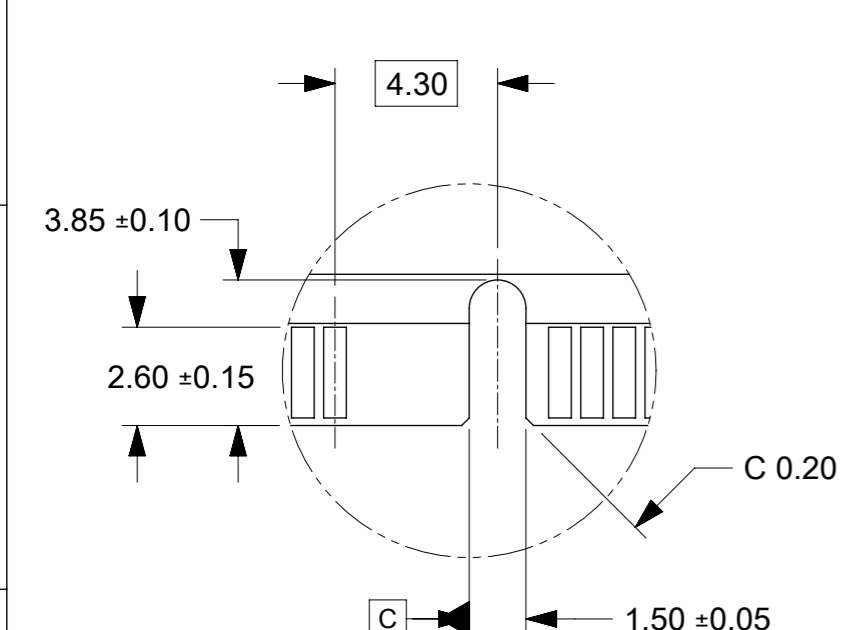
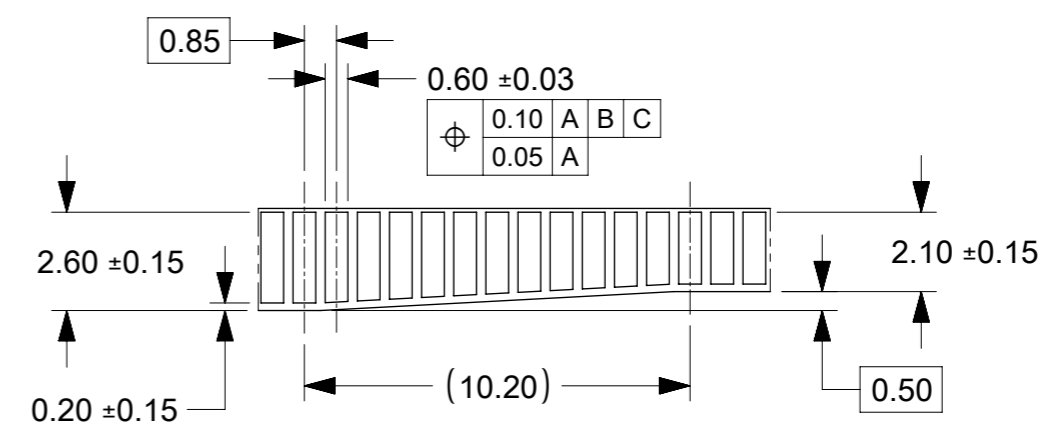
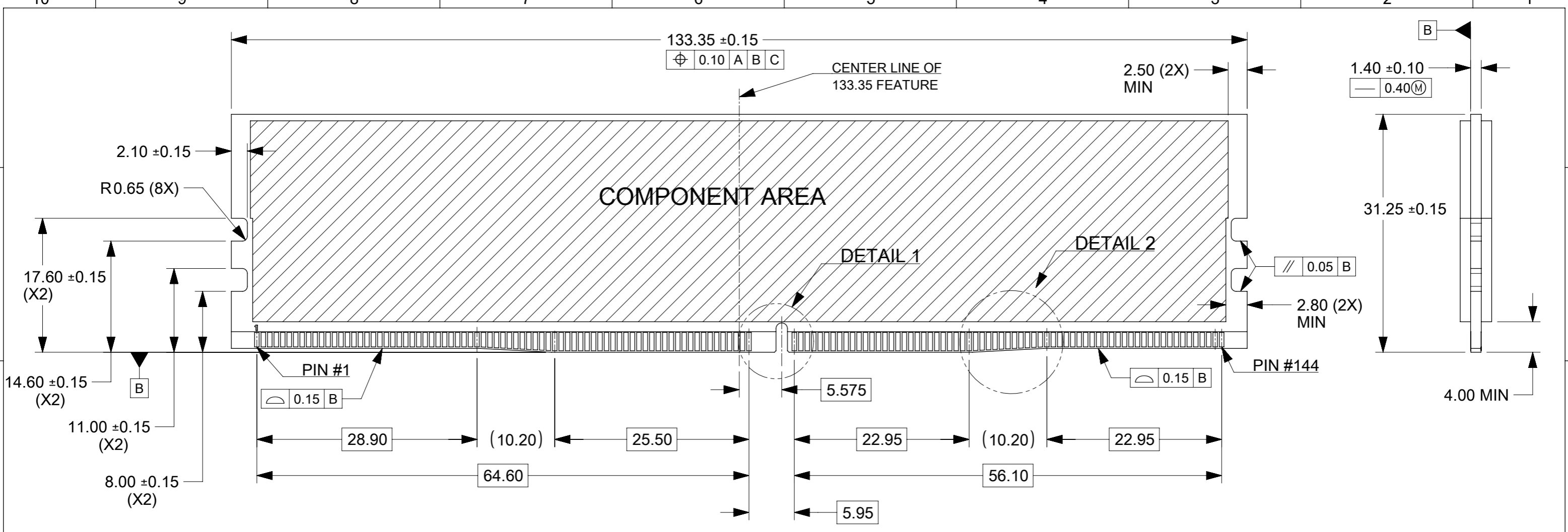
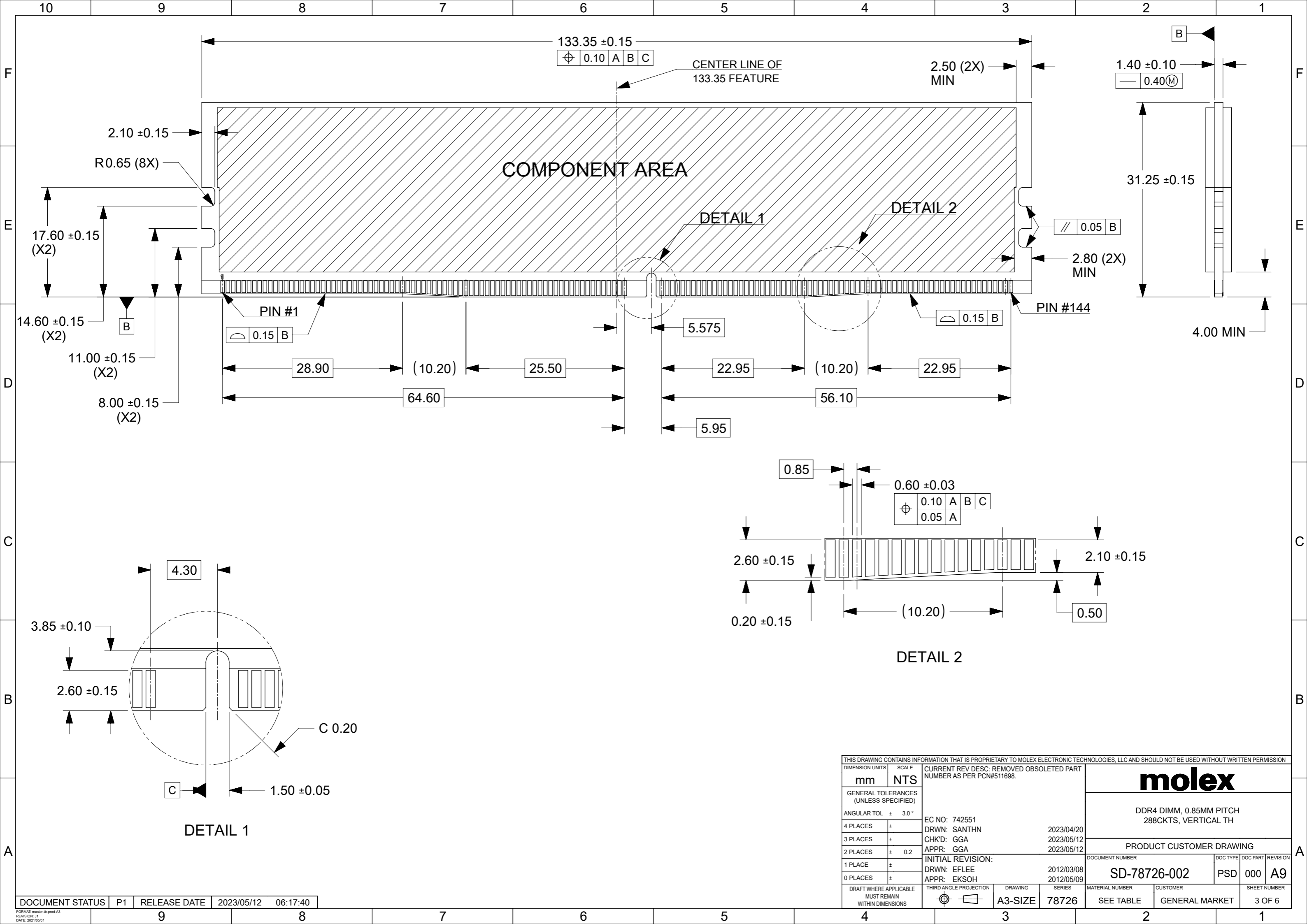
**DETAIL 5 : BUMPER ZONE**



THIS DRAWING CONTAINS INFORMATION THAT IS PROPRIETARY TO MOLEX ELECTRONIC TECHNOLOGIES, LLC AND SHOULD NOT BE USED WITHOUT WRITTEN PERMISSION									
DIMENSION UNITS		SCALE		CURRENT REV DESC: REMOVED OBSOLETE PART NUMBER AS PER PCN#511698.					
mm		NTS		<p>DDR4 DIMM, 0.85MM PITCH 288CKTS, VERTICAL TH</p> <p>PRODUCT CUSTOMER DRAWING</p>					
GENERAL TOLERANCES (UNLESS SPECIFIED)									
ANGULAR TOL ± 3.0°									
4 PLACES ±		EC NO: 742551							
3 PLACES ±		DRWN: SANTHN 2023/04/20							
2 PLACES ± 0.2		CHK'D: GGA 2023/05/12							
1 PLACE ±		APPR: GGA 2023/05/12							
0 PLACES ±		INITIAL REVISION:		DOCUMENT NUMBER		DOC TYPE		DOC PART	
DRAFT WHERE APPLICABLE MUST REMAIN WITHIN DIMENSIONS		THIRD ANGLE PROJECTION		DRAWING		SERIES		MATERIAL NUMBER	
		A3-SIZE		78726		SD-78726-002		PSD 000 A9	
				SEE TABLE		GENERAL MARKET		1 OF 6	



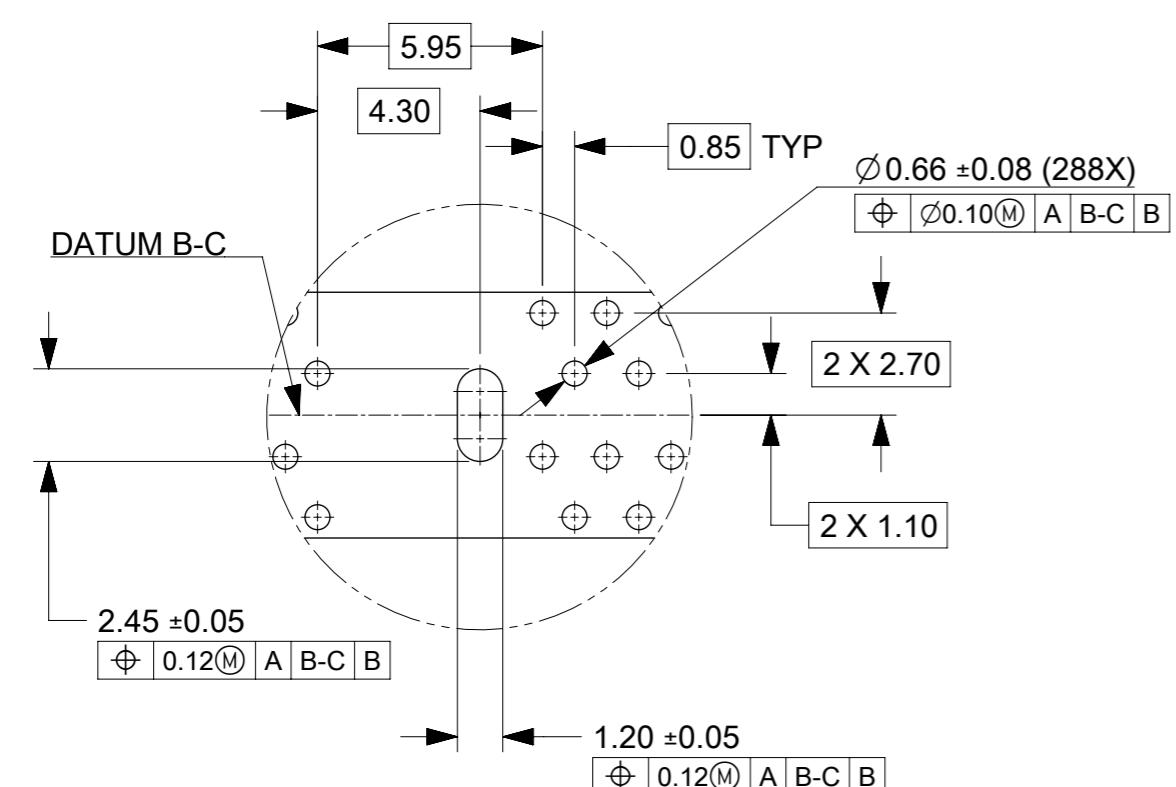
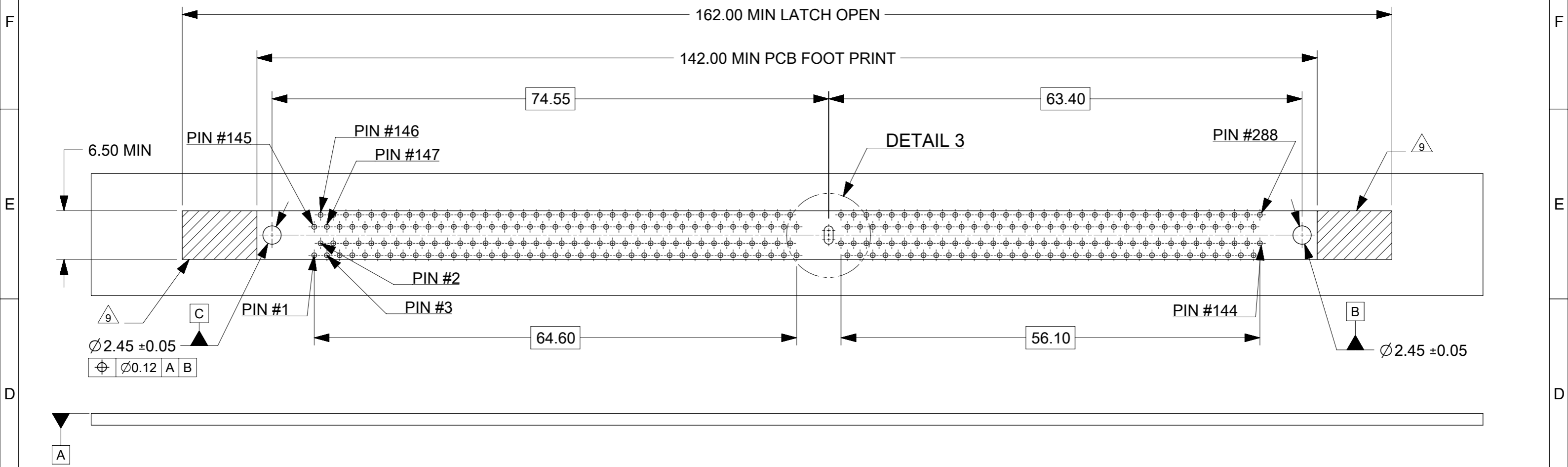
THIS DRAWING CONTAINS INFORMATION THAT IS PROPRIETARY TO MOLEX ELECTRONIC TECHNOLOGIES, LLC AND SHOULD NOT BE USED WITHOUT WRITTEN PERMISSION												
DIMENSION UNITS	SCALE	CURRENT REV DESC: REMOVED OBSOLETE PART NUMBER AS PER PCN#511698.										
mm	NTS											
GENERAL TOLERANCES (UNLESS SPECIFIED)												
ANGULAR TOL	± 3.0 °	DDR4 DIMM, 0.85MM PITCH 288CKTS, VERTICAL TH										
4 PLACES	±	PRODUCT CUSTOMER DRAWING										
3 PLACES	±	EC NO: 742551	DRWN: SANTHN	2023/04/20	DOCUMENT NUMBER <b>SD-78726-002</b>					DOC TYPE	DOC PART	REVISION
2 PLACES	± 0.2	CHK'D: GGA	2023/05/12	APPR: GGA						2023/05/12	PSD	000
1 PLACE	±	INITIAL REVISION:			MATERIAL NUMBER SEE TABLE			CUSTOMER GENERAL MARKET				
0 PLACES	±	DRWN: EFLEE	2012/03/08	APPR: EKSOH							2012/05/09	SHEET NUMBER
DRAFT WHERE APPLICABLE MUST REMAIN WITHIN DIMENSIONS		THIRD ANGLE PROJECTION	DRAWING	SERIES	MATERIAL NUMBER			CUSTOMER				
			A3-SIZE	78726	SEE TABLE			GENERAL MARKET				



THIS DRAWING CONTAINS INFORMATION THAT IS PROPRIETARY TO MOLEX ELECTRONIC TECHNOLOGIES, LLC AND SHOULD NOT BE USED WITHOUT WRITTEN PERMISSION															
DIMENSION UNITS		SCALE		CURRENT REV DESC: REMOVED OBSOLETE PART NUMBER AS PER PCN#511698.											
mm		NTS		 DDR4 DIMM, 0.85MM PITCH 288CKTS, VERTICAL TH											
GENERAL TOLERANCES (UNLESS SPECIFIED)										PRODUCT CUSTOMER DRAWING					
ANGULAR TOL ± 3.0 °										EC NO: 742551		2023/04/20		DOCUMENT NUMBER	
4 PLACES ±		DRWN: SANTHN								2023/05/12		SD-78726-002		DOC TYPE DOC PART REVISION	
3 PLACES ±		CHK'D: GGA								2023/05/12		PSD 000		A9	
2 PLACES ± 0.2		APPR: GGA		INITIAL REVISION:		2012/03/08		MATERIAL NUMBER							
1 PLACE ±		DRWN: EFLEE		2012/05/09		78726		CUSTOMER							
0 PLACES ±		APPR: EKSOH		THIRD ANGLE PROJECTION		DRAWING		SHEET NUMBER							
DRAFT WHERE APPLICABLE MUST REMAIN WITHIN DIMENSIONS				THIRD ANGLE PROJECTION		DRAWING		SERIES							
						A3-SIZE		78726							
						SEE TABLE		GENERAL MARKET							
								3 OF 6							

DOCUMENT STATUS	P1	RELEASE DATE	2023/05/12	06:17:40
-----------------	----	--------------	------------	----------

10 9 8 7 6 5 4 3 2 1



DETAIL 3

THIS DRAWING CONTAINS INFORMATION THAT IS PROPRIETARY TO MOLEX ELECTRONIC TECHNOLOGIES, LLC AND SHOULD NOT BE USED WITHOUT WRITTEN PERMISSION									
DIMENSION UNITS		SCALE		CURRENT REV DESC: REMOVED OBSOLETE PART NUMBER AS PER PCN#511698.					
mm		NTS							
GENERAL TOLERANCES (UNLESS SPECIFIED)									
ANGULAR TOL ± 3.0 °				PRODUCT CUSTOMER DRAWING					
4 PLACES ±				EC NO: 742551		2023/04/20		DOCUMENT NUMBER	
3 PLACES ±				DRWN: SANTHN		2023/05/12		SD-78726-002	
2 PLACES ±		0.2		CHK'D: GGA		2023/05/12		DOC TYPE DOC PART REVISION	
1 PLACE ±				APPR: GGA				PSD 000 A9	
0 PLACES ±				INITIAL REVISION:					
				DRWN: EFLEE		2012/03/08			
				APPR: EKSOH		2012/05/09			
DRAFT WHERE APPLICABLE MUST REMAIN WITHIN DIMENSIONS		THIRD ANGLE PROJECTION		DRAWING		SERIES		MATERIAL NUMBER	
				A3-SIZE		78726		SEE TABLE	
				CUSTOMER		GENERAL MARKET		SHEET NUMBER	
								4 OF 6	

DOCUMENT STATUS	P1	RELEASE DATE	2023/05/12	06:17:40
-----------------	----	--------------	------------	----------

9 8 7 6 5 4 3 2 1

CKT SIZE	ASSEMBLY PART NO.	HOUSING COLOR	LATCH COLOR	DIM "P"	RECOMMENDED PCB THICKNESS	PLATING OPTION		PRODUCT SPEC. NO.	PACKAGING SPEC. NO.	
						TERMINAL	FORKLOCK			
288	78726-1051	BLACK	BLACK	2.10	1.57	0.76 MICROMETER (30 MICROINCH) MIN GOLD ON CONTACT	1 MICROMETER (40 MICROINCH) MIN TIN OVERALL (PRE-PLATED)	PS-78726-001	PK-78726-001	
	78726-1039			2.40	1.57					
	78726-1002			2.67	1.57					
	78726-1003			3.18	2.36					
	78726-1026			3.50	3.00					
	78726-1040	BLACK	WHITE	2.40	1.57					
	78726-1004			2.67	1.57					
	78726-1005			3.18	2.36					
	78726-1041	WHITE	BLACK	2.40	1.57					
	78726-1054	WHITE	WHITE	2.10	1.57					
	78726-1042			2.40	1.57					
	78726-1029			3.50	3.00					
	78726-1055			2.10	1.57					
	78726-1043	BLUE	BLUE	2.40	1.57					
	78726-1010			2.67	1.57					
	78726-1011			3.18	2.36					
	78726-1030			3.50	3.00					
	78726-1023			BLUE	WHITE				3.18	2.36
	78726-1064	YELLOW	WHITE	2.40	1.57					
	78726-0081	BLACK	BLACK	3.18	2.36					
78726-3005	WHITE		3.18	2.36						
78726-3052			2.10	1.57						
78726-4039			BLACK	2.40	1.57					
78726-4040			WHITE	2.40	1.57					
									787260003	
										2042450002

THIS DRAWING CONTAINS INFORMATION THAT IS PROPRIETARY TO MOLEX ELECTRONIC TECHNOLOGIES, LLC AND SHOULD NOT BE USED WITHOUT WRITTEN PERMISSION									
DIMENSION UNITS	SCALE	CURRENT REV DESC: REMOVED OBSOLETE PART NUMBER AS PER PCN#511698.							
mm	NTS	<b>molex</b>							
GENERAL TOLERANCES (UNLESS SPECIFIED)		DDR4 DIMM, 0.85MM PITCH 288CKTS, VERTICAL TH							
ANGULAR TOL	± 3.0 °	PRODUCT CUSTOMER DRAWING							
4 PLACES	±	EC NO: 742551							
3 PLACES	±	DRWN: SANTHN	2023/04/20						
2 PLACES	± 0.2	CHK'D: GGA	2023/05/12						
1 PLACE	±	APPR: GGA	2023/05/12						
0 PLACES	±	INITIAL REVISION:							
DRAFT WHERE APPLICABLE MUST REMAIN WITHIN DIMENSIONS		DRWN: EFLEE	2012/03/08	DOCUMENT NUMBER		DOC TYPE	DOC PART	REVISION	
		APPR: EKSOH	2012/05/09	SD-78726-002		PSD	000	A9	
		THIRD ANGLE PROJECTION	DRAWING	SERIES	MATERIAL NUMBER	CUSTOMER		SHEET NUMBER	
			A3-SIZE	78726	SEE TABLE	GENERAL MARKET		5 OF 6	

DOCUMENT STATUS	P1	RELEASE DATE	2023/05/12	06:17:40
-----------------	----	--------------	------------	----------

CKT SIZE	ASSEMBLY PART NO.	HOUSING COLOR	LATCH COLOR	DIM "P"	RECOMMENDED PCB THICKNESS	PLATING OPTION		PRODUCT SPEC. NO.	PACKAGING SPEC. NO.
						TERMINAL	FORKLOCK		
288	78726-1045	BLACK	BLACK	2.40	1.57	0.38 MICROMETER (15 MICROINCH) MIN GOLD ON CONTACT	1 MICROMETER (40 MICROINCH) MIN TIN OVERALL (PRE-PLATED)	PS-78726-002	PK-78726-001
	78726-1012			2.67	1.57				
	78726-1013			3.18	2.36				
	78726-1032			3.50	3.00				
	78726-1046	BLACK	WHITE	2.40	1.57				
	78726-1033			3.50	3.00				
	78726-1059	WHITE	BLACK	2.10	1.57				
	78726-1047			2.40	1.57				
	78726-1048	WHITE	WHITE	2.40	1.57				
	78726-1018			2.67	1.57				
	78726-1035			3.50	3.00				
	78726-1049			2.40	1.57				
	78726-1020	BLUE	BLUE	2.67	1.57				
	78726-1021			3.18	2.36				
	78726-1036	BLUE	WHITE	3.50	3.00				
	78726-1050			2.40	1.57				
	78726-1037			3.50	3.00				
	78726-1072			3.50	3.00				
	78726-3012	BLACK	BLACK	2.67	1.57				
	78726-3032			3.50	3.00				
78726-3020	BLUE	BLUE	2.67	1.57					
78726-3036			3.50	3.00					
									787260003

THIS DRAWING CONTAINS INFORMATION THAT IS PROPRIETARY TO MOLEX ELECTRONIC TECHNOLOGIES, LLC AND SHOULD NOT BE USED WITHOUT WRITTEN PERMISSION

DIMENSION UNITS	SCALE	CURRENT REV DESC: REMOVED OBSOLETE PART NUMBER AS PER PCN#511698.	<b>molex</b>						
mm	NTS								
GENERAL TOLERANCES (UNLESS SPECIFIED)		EC NO: 742551 DRWN: SANTHN 2023/04/20 CHK'D: GGA 2023/05/12 APPR: GGA 2023/05/12	DDR4 DIMM, 0.85MM PITCH 288CKTS, VERTICAL TH						
ANGULAR TOL	± 3.0 °		PRODUCT CUSTOMER DRAWING						
4 PLACES	±		DOCUMENT NUMBER						
3 PLACES	±		SD-78726-002						
2 PLACES	± 0.2		DOC TYPE						
1 PLACE	±		PSD						
0 PLACES	±	DOC PART							
DRAFT WHERE APPLICABLE MUST REMAIN WITHIN DIMENSIONS		THIRD ANGLE PROJECTION		DRAWING	SERIES	MATERIAL NUMBER	CUSTOMER	REVISION	SHEET NUMBER
				A3-SIZE	78726	SEE TABLE	GENERAL MARKET	A9	6 OF 6