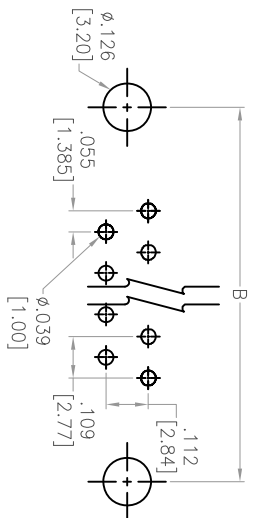
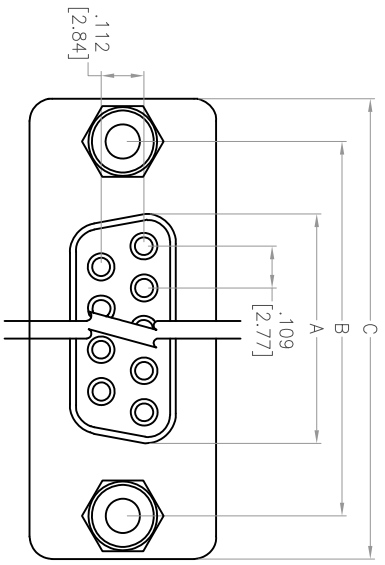
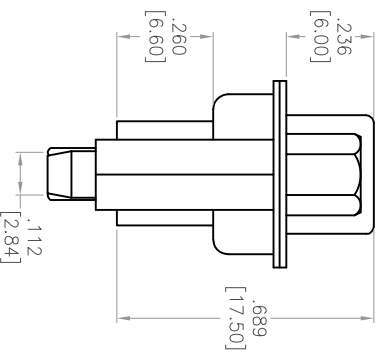
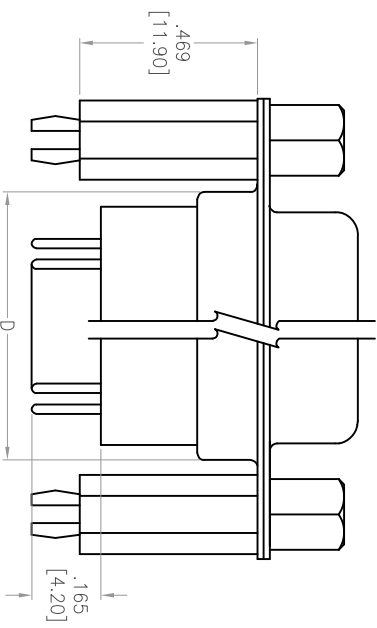


Rev	AWO #	Description	Date	Appr
-		RELEASED	9/19/13	

APPROVED: \_\_\_\_\_  
 DATE: \_\_\_\_\_ TITLE: \_\_\_\_\_



RECOMMENDED PCB LAYOUT



DXXX	NO. OF CONTACTS	DIMENSIONS			
		A	B	C	D
DE09	9	.642 [16.30]	.984 [25.00]	1.213 [30.80]	.756 [19.20]
DA15	15	.969 [24.60]	1.311 [33.30]	1.543 [39.20]	1.091 [27.70]
DB25	25	1.508 [38.30]	1.854 [47.10]	2.091 [53.10]	1.618 [41.10]
DC37	37	2.157 [54.80]	2.500 [63.50]	2.732 [69.40]	2.256 [57.30]

# ADAM TECH

909 Rahway Avenue, Union, NJ 07083  
 Phone: 908-687-5000 Fax: 908-687-5710

TITLE: D-SUB SOCKET, HIGH PROFILE  
 RIVETED #4-40 STANDOFFS/WBOARDLOCKS

**SPECIFICATIONS:**  
 Material: Insulator: Thermoplastic, rated UL 94V-0  
 Insulator color: Black  
 Contacts: Copper Alloy  
 Shell: Steel  
 Hardware: Copper alloy  
 Plating: Gold flash over Nickel underplate overall  
 Electrical: Operating voltage: 250 VAC max  
 Current rating: 3 Amps max  
 Contact resistance: 15 mohms max  
 Insulation resistance: 3,000 Mohms min  
 Dielectric withstanding voltage: 1,000 VAC for 1 minute  
 Temperature Rating: Operating temperature: -55°C to +105°C  
 Environmental: Lead free, RoHS compliant

UNLESS OTHERWISE SPECIFIED ALL DIMENSIONS ARE INCHES [MM] TOLERANCES: EXCEPT AS NOTED		DRAWN: SS		DATE: 9/19/13	
INCHES: .X ± .10 .XX ± .020 .XXX ± .015		HOLE SIZES: ØX ± .10 ØXX ± .015 ØXXX ± .010		APPROVALS:	
CHECKED	APPROVED	SIZE: X	PART NO.: DXXX-SE-1-BL-JS	REV.:	
REF: S00013T	SCALE: NTS	SHEET: 1 OF 1			

