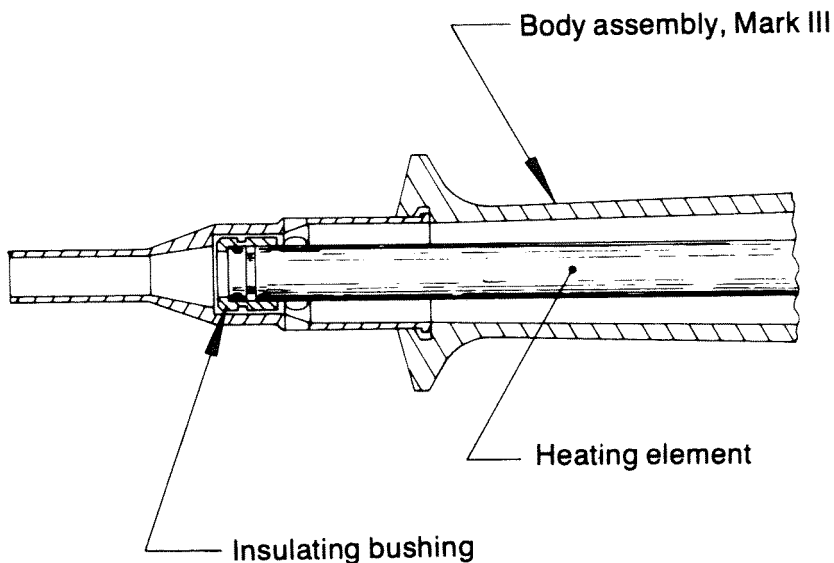


Raychem **Part No. 597678**

AA-400 Mark III Body Assy' Replacement Kit.



Notes:

1. The insulating bushing was not required for the MK II body assy'. (green). The enclosed bushing must be used with the MK III body assy'. (yellow)
2. Slide insulating bushing over end of heating element prior to inserting element in body assembly.

If this document is printed it becomes uncontrolled.
Check for the latest revision.

Raychem Corporation
300 Constitution Drive
Menlo Park, California 94025
415) 361-3860 TWX 910-373-1728

Revision: A

H52325 9/84