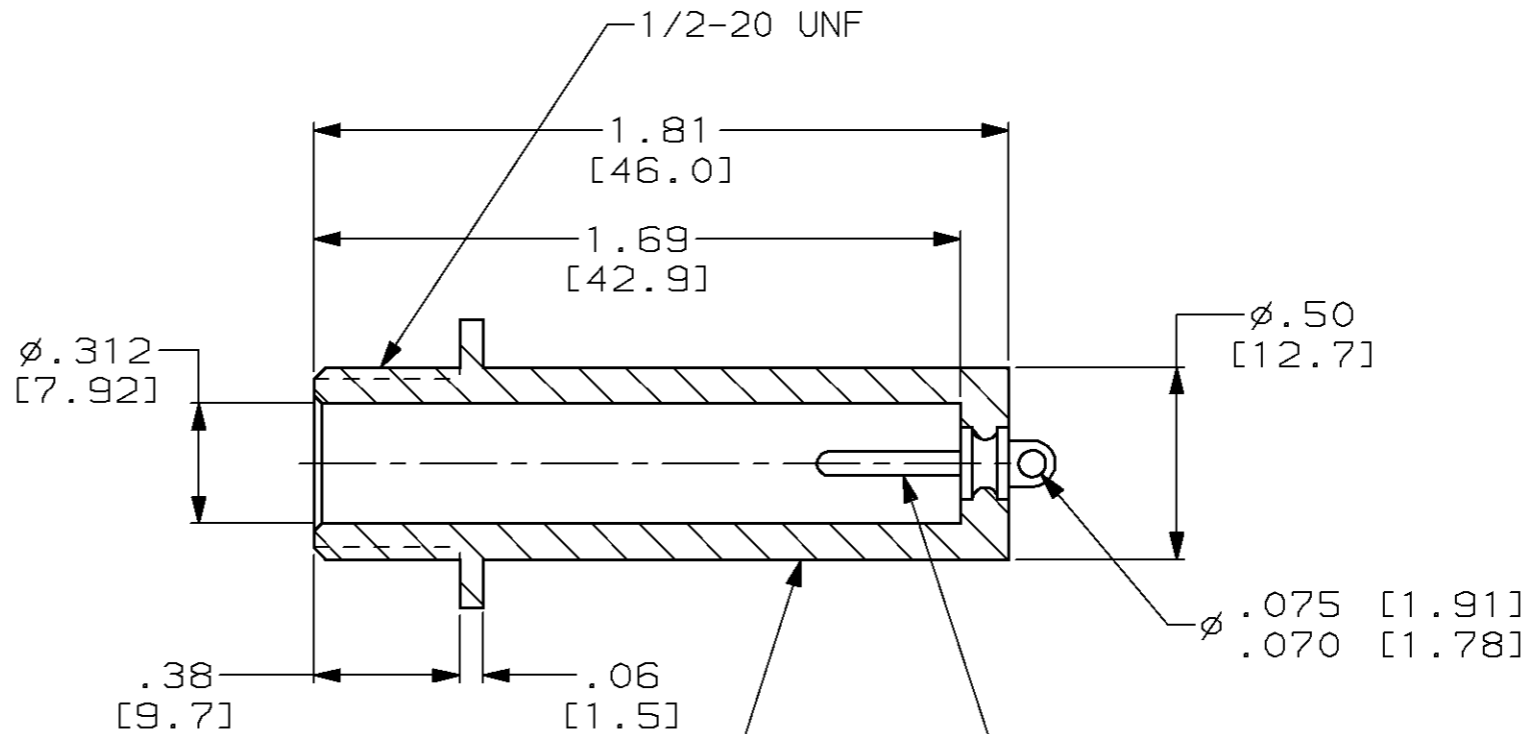
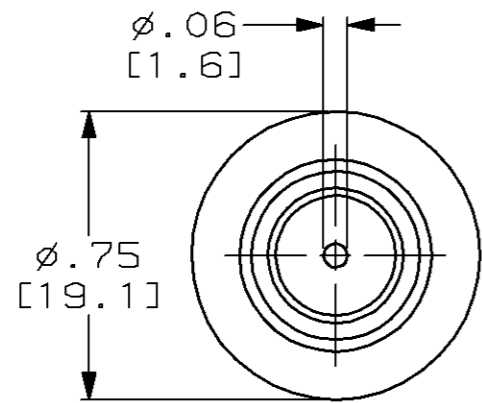


THIS DRAWING IS UNPUBLISHED. RELEASED FOR PUBLICATION, 19 .  
 © COPYRIGHT 19 BY AMP INCORPORATED. ALL INTERNATIONAL RIGHTS RESERVED.

PROD 4087  
 LOC DF  
 DIST 50  
 P F

		REVISIONS		
ZONE	LTR	DESCRIPTION	DATE	APPD
	0	RELEASED PER 0600-2403-94 CT	7-94	DW
	A	REV PER 0600-6570-97 JB	03-98	SG



RCPT HOUSING  
 MAT'L: EPOXY MLDG. CMPD.  
 COLOR: RED

TERMINAL  
 MAT'L: BRASS PER ASTM-B-16  
 FINISH:  $\Delta$ 3

- RECEPTACLE TO MATE WITH ANY LGH-1L WITH A END LENGTH OF 1.69 [42.9].
- MARKED PER MIL-STD-130.
- $\Delta$ 3 PLATED GOLD .000030 MIN THK PER MIL-G-45204 OVER NICKEL .000100 MIN THK PER QQ-N-290.

THIS DRAWING IS A CONTROLLED DOCUMENT FOR AMP INCORPORATED. IT IS SUBJECT TO CHANGE AND THE CONTROLLING ENGINEERING ORGANIZATION SHOULD BE CONTACTED FOR THE LATEST REVISION.

DO NOT SCALE PRINT. UNLESS SPECIFIED DIMENSIONS IN INCHES [mm] TOLERANCES ON: 2 PLC DEC $\pm$ .01 [0.25] 3 PLC DEC $\pm$ .005 [0.13] ANGLES $\pm$ -	DR 7-12-94 C.C. THOMAS
MATERIAL SEE CALLOUTS	CHK 7-16-94 D. WEYANDT
COLOR SEE CALLOUTS	APPD 7-16-94 D. WEYANDT
	RLSE 7-16-94 C.C. THOMAS
	PRODUCT SPEC -
	APPLICATION SPEC -
	WEIGHT -

<b>AMP</b> AMP Incorporated Harrisburg, PA 17105-3608		
NAME FLANGED RCPT, LGH-1L		
SIZE <b>B</b>	CAGE CODE 00779	DRAWING NO <b>C</b> -449925
SCALE 2:1	SHEET 1 OF 1	

449925-1  
 PART NO.