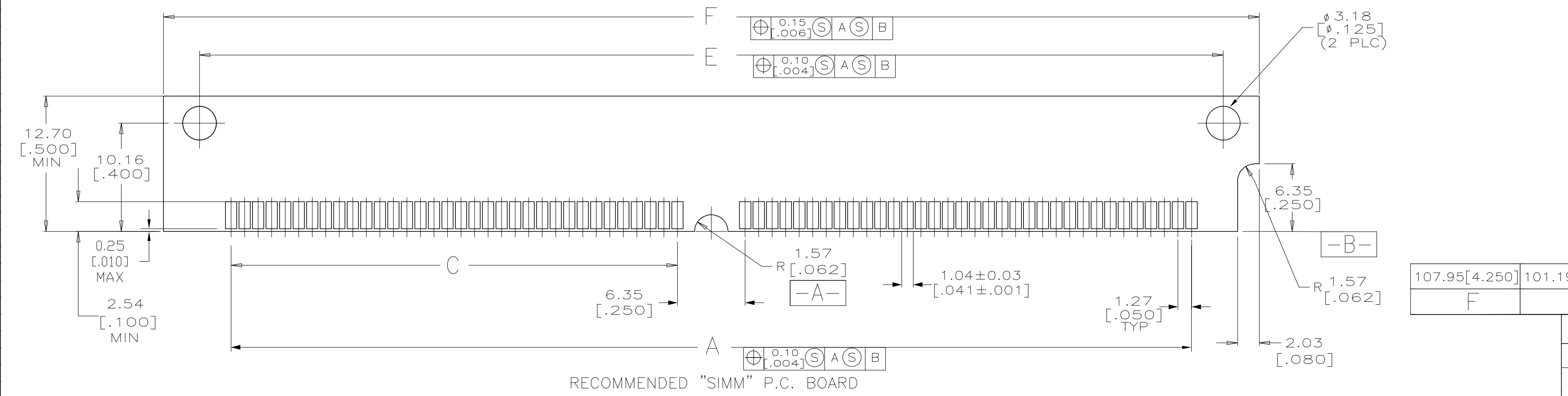
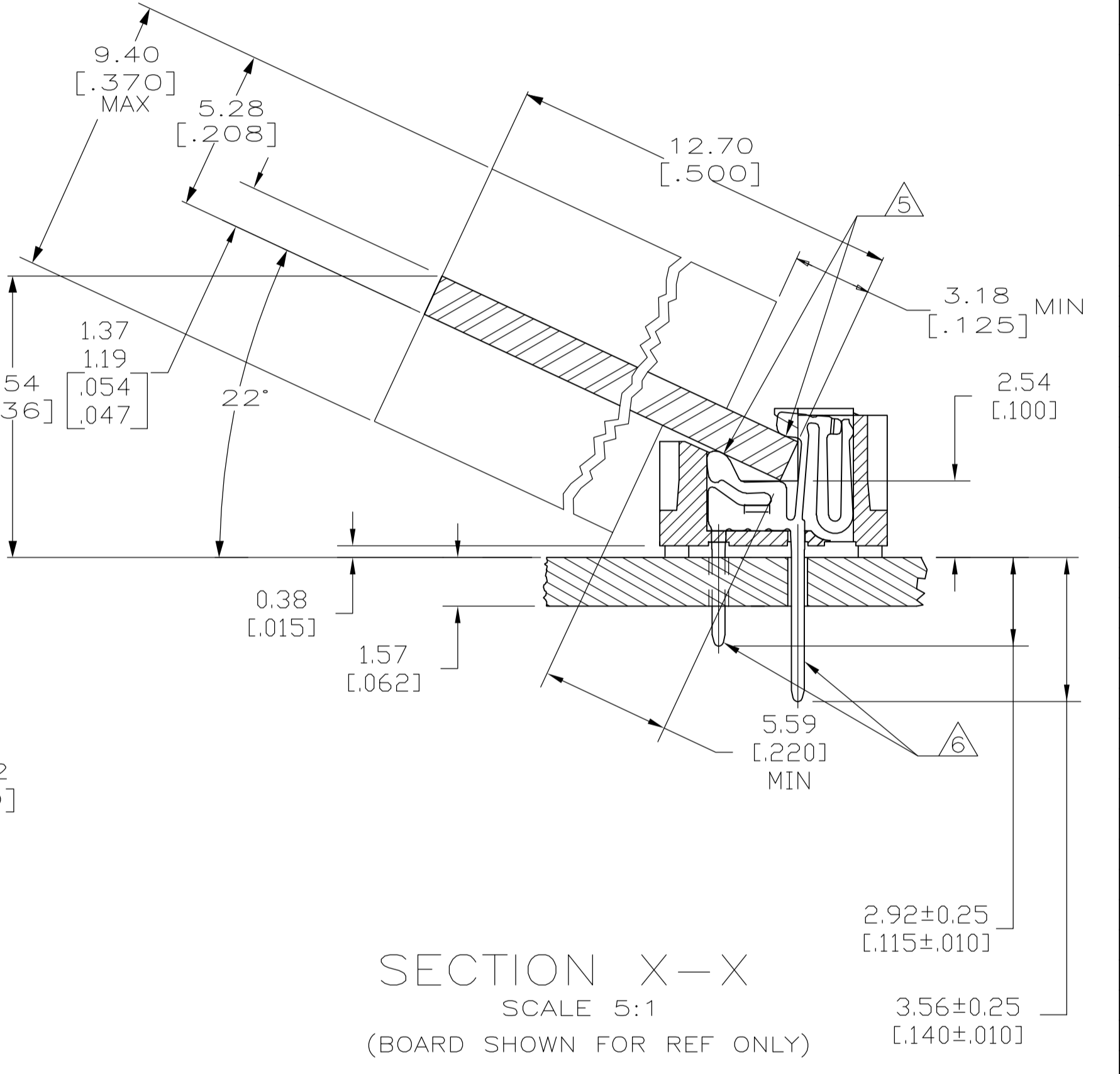
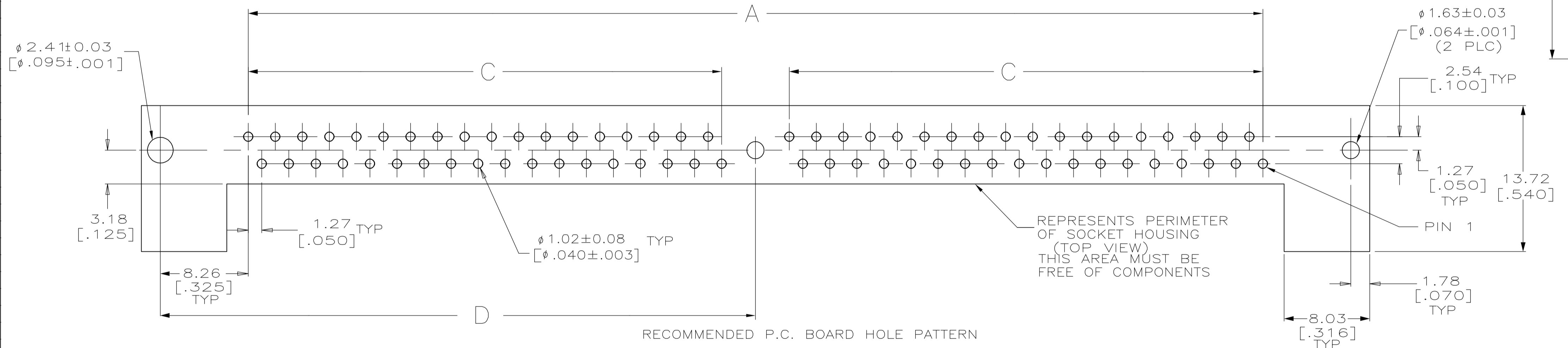
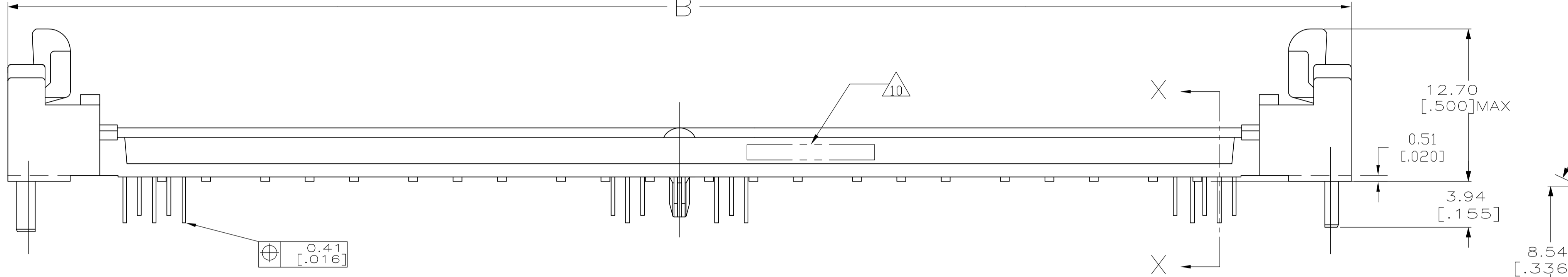
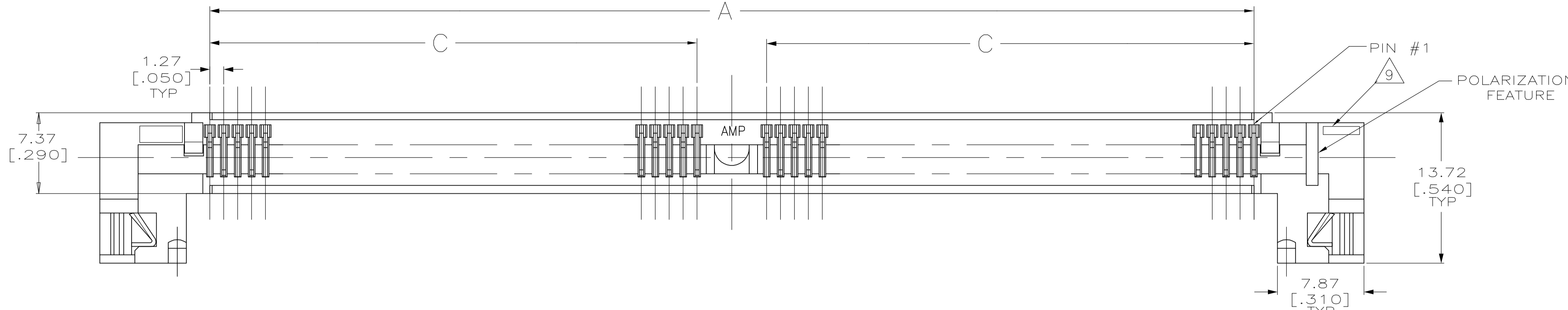


LOC	DIST	REVISED PER ECO-06-007841			
GP	00	DATE	DWN	APVD	
V		19JUL06	JDP	MB	

- 1 HOUSING-MATERIAL : LIQUID-CRYSTAL-POLYMER.
- 2 CONTACT-MATERIAL : PHOS. BRONZE.
- 3 LATCH-MATERIAL : STAINLESS STEEL.
- 4 CONTACT-PLATE 0.00127 [.000050] MIN NICKEL ALL OVER.
- 5 CONTACT-PLATE 0.00076[.000030] MIN. GOLD AT CONTACT PTS.
- 6 CONTACT SOLDERTAILS-PLATE 0.00508[.000200] MIN TIN/LEAD.
- 7. IN ADDITION TO THOSE RECOMMENDED "SIMM" P.C. BOARD DIMENSIONS AND TOLERANCES SHOWN, ALL JEDEC SPECIFICATIONS APPLY AS SHOWN ON MO-116, ISSUE A.
- 8. RECOMMENDED MATING S.I.M.M. TAB METALLURGY:
 BASE METAL-COPPER. PLATING TO BE 0.00076[.000030] MIN GOLD OVER 0.00127[.000050] MIN NICKEL.
- 9 'S' IDENTIFIER LOCATED APPROXIMATELY AS SHOWN.
- 10 DATE CODE INFORMATION (YEAR WEEK), LOCATED APROXIMATELY AS SHOWN ON OPPOSITE SIDE ONLY.



107.95[4.250]	101.19[3.984]	55.88[2.200]	44.45[1.750]	115.32[4.540]	95.25[3.750]	72	822137-3	
F	E	D	C	B	A	NO. OF POSN	PART NO	
THIS DRAWING IS A CONTROLLED DOCUMENT.							DIN 91 MCMMASTER 07JAN05 CHK M.YFOMANS 07JAN05 APVD M.YFOMANS 07JAN05 PRODUCT SPEC APPLICATION SPEC SIZE A1 WEIGHT - CUSTOMER DRAWING	
DIMENSIONS: mm [INCHES]		TOLERANCES UNLESS OTHERWISE SPECIFIED:		Tyco Electronics Corporation Harrisburg, PA 17105-3608 NAME: CONNECTOR, MICRO-EDGE, .050, LP, GOLD PL, W/METAL LATCH		DATE: 00779 DRAWING NO: 822137 SHEET 1 OF 1		
0 PLC	±	1 PLC	±	2 PLC	±	3 PLC	±	
4 PLC	±	ANGLES	±	SCALE 4:1 SHEET 1 OF 1 REV V				