



ANATECH ELECTRONICS INC
RF & Microwave Filters & Products

160 MHz LC Lowpass Filter

Part Number: AE160L9167



Electrical specifications

Cutoff Frequency (FC): 160 MHz
Insertion loss @160 MHz Min: 0.5 dB Min
Return loss @ DC-160 MHz: 14 dB Max
Rejection @ 461.4-1000 MHz: 90 dB Max

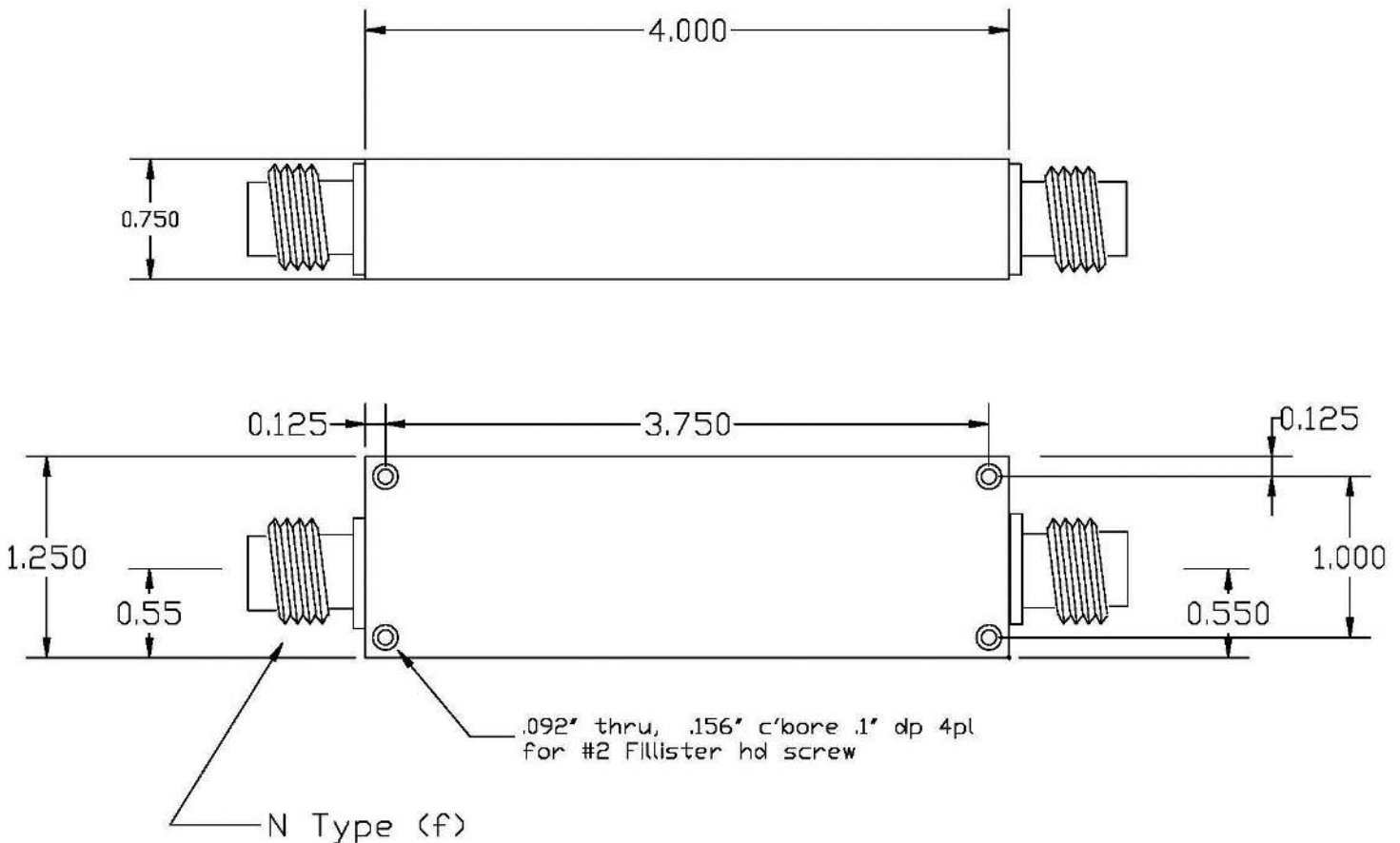
Mechanical

Mounting Method: N-Type (F)
Dimensions: 4.00 x 1.25 x 0.75 Inches

Environmental

Operating Temperature: -30 to +75° C
Storage Temperature: -40 to +85° C

Outline Drawing:





Response Plot

