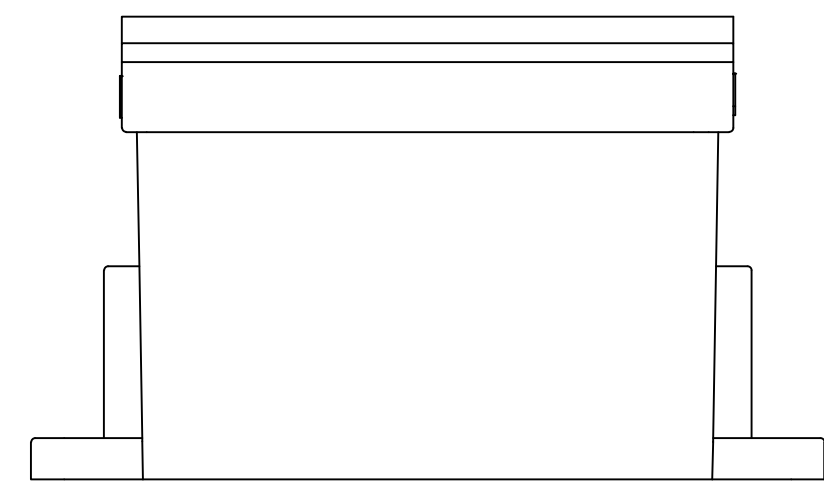
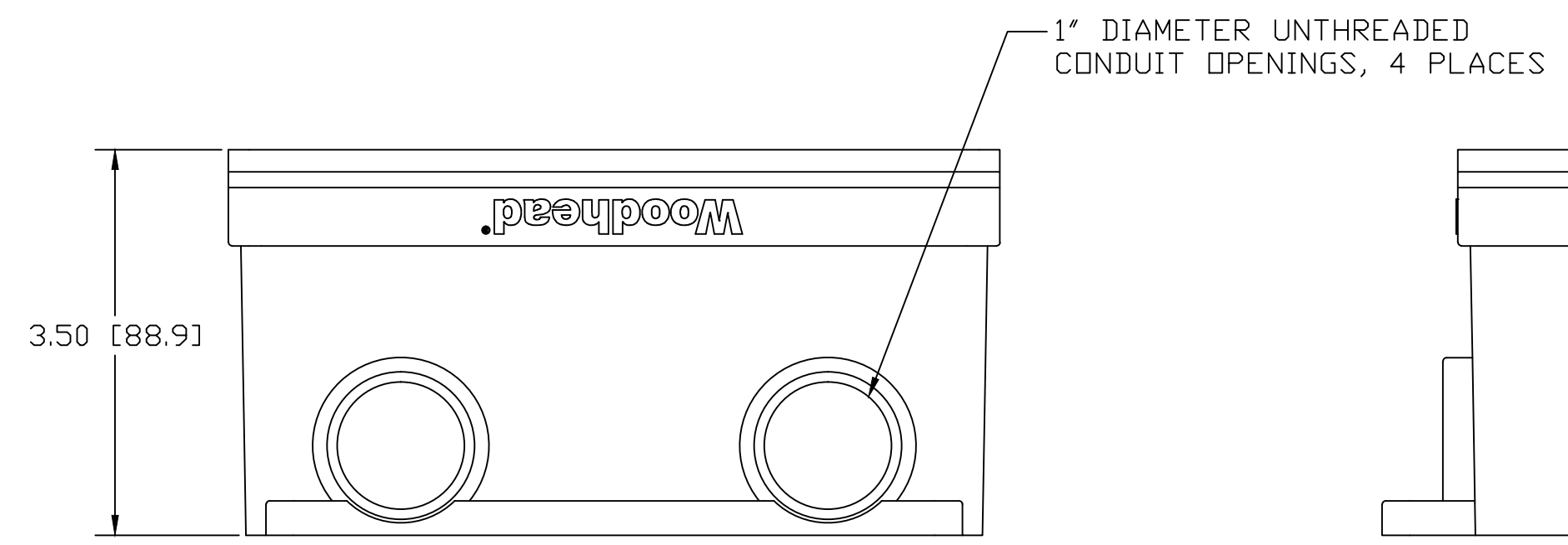
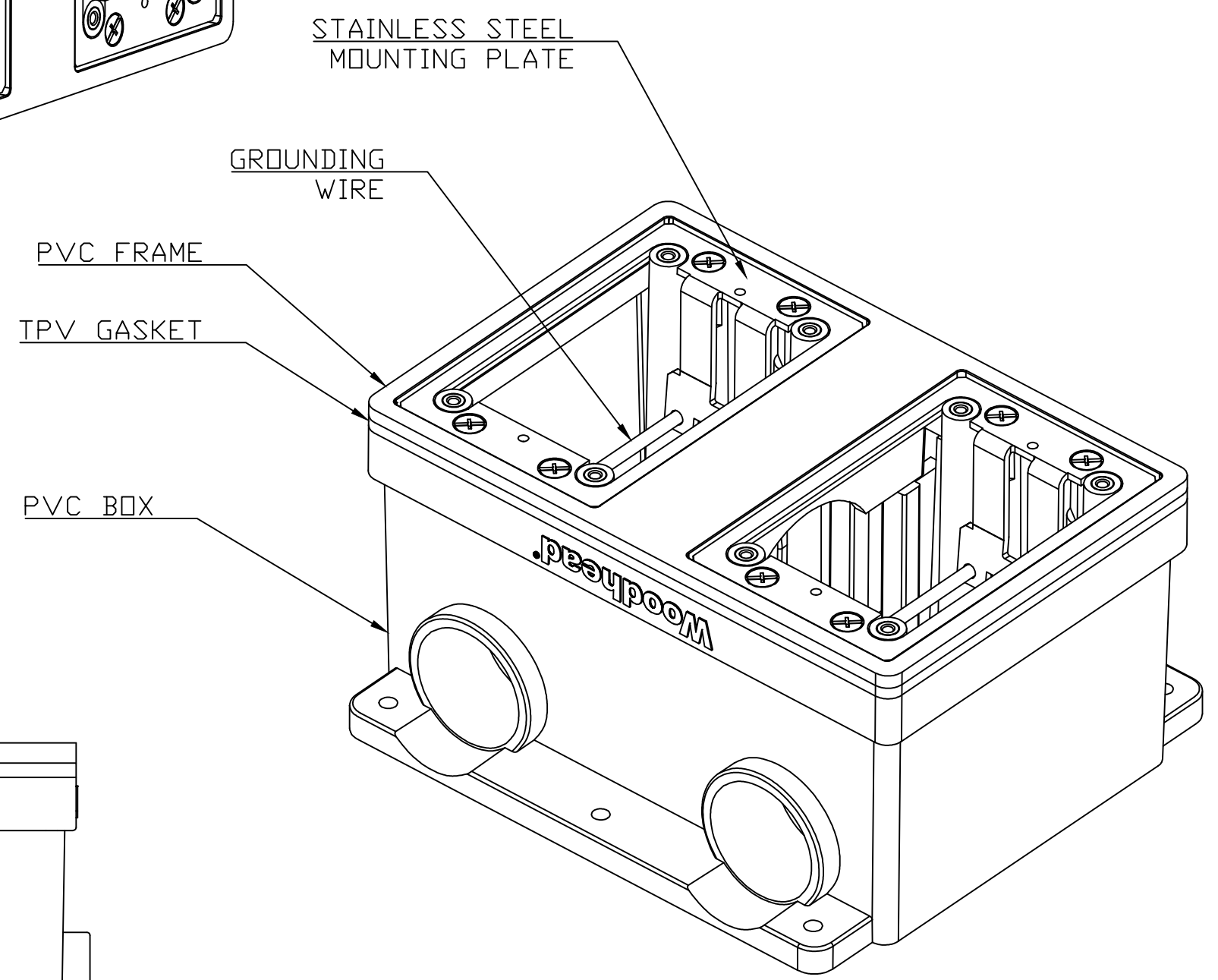
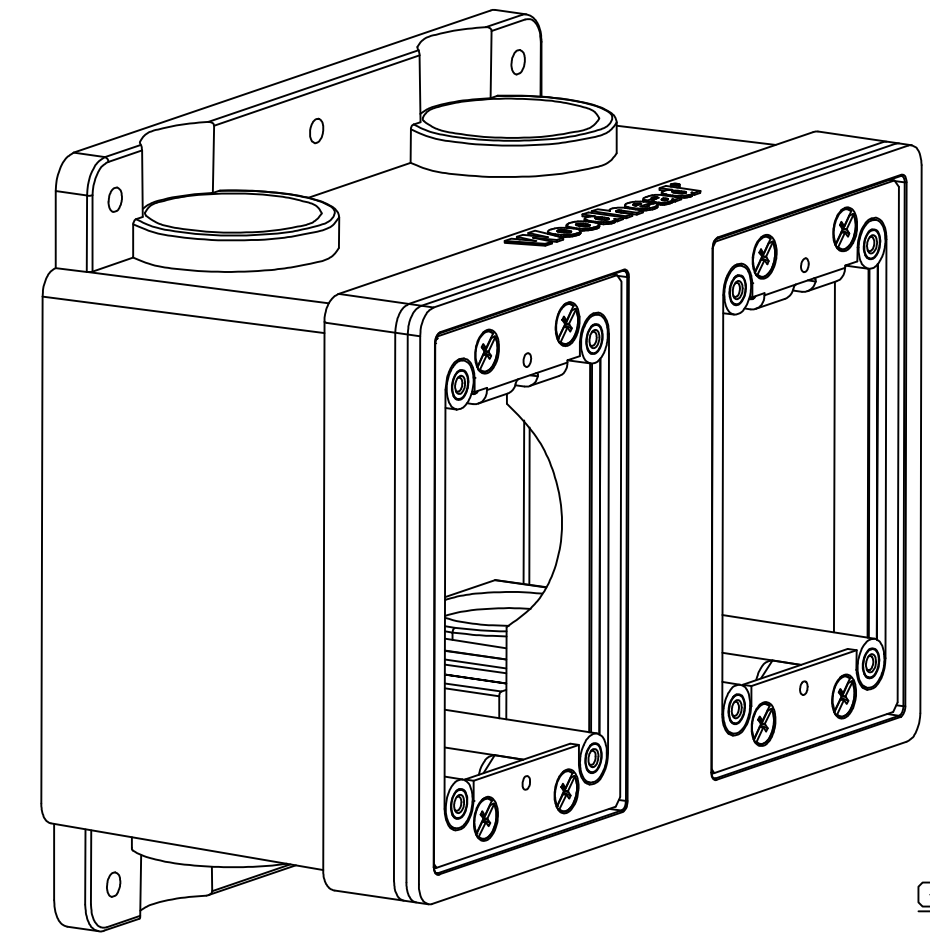
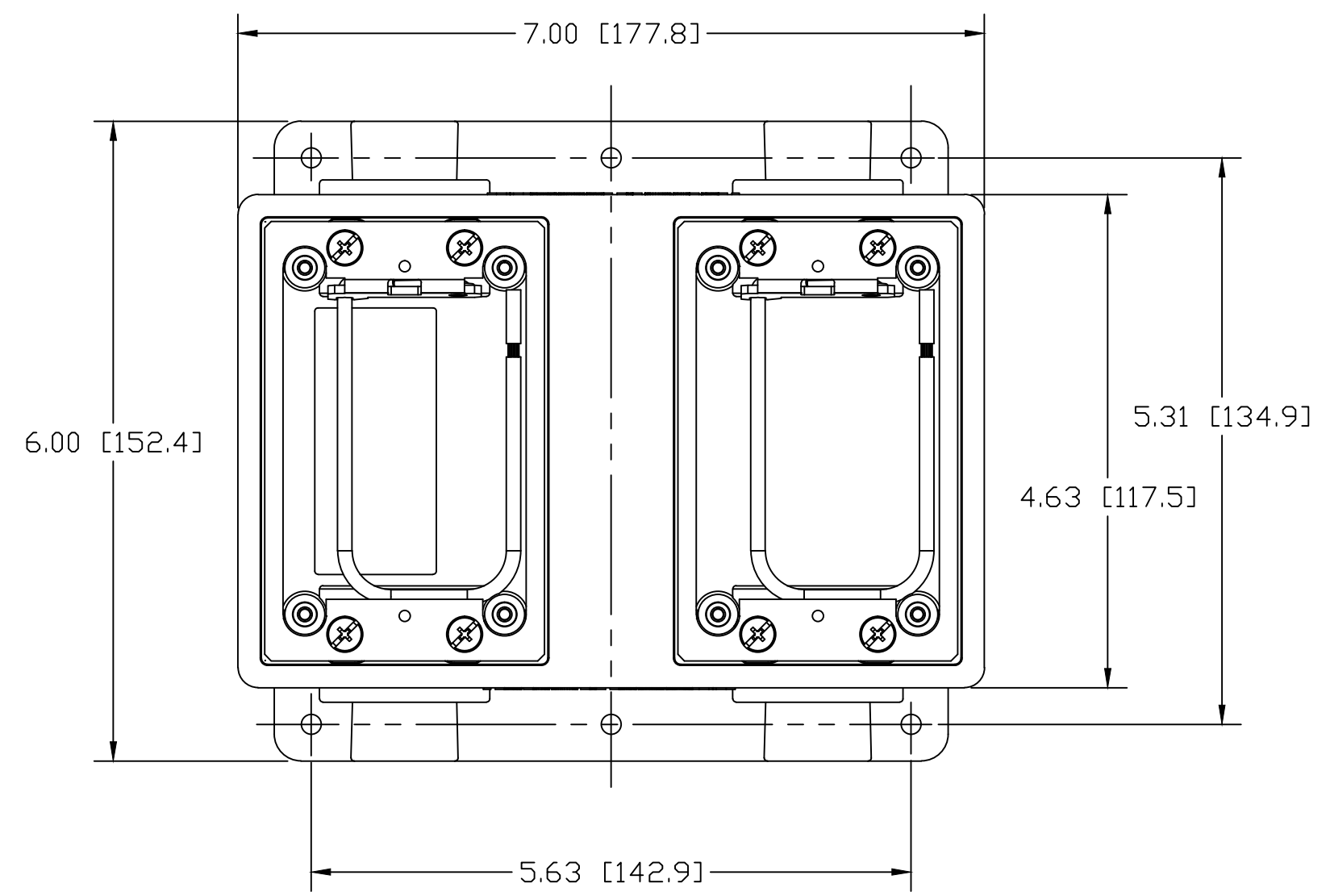


13 12 11 10 9 8 7 6 5 4 3 2 1

J  
I  
H  
G  
F  
E  
D  
C  
B  
A



INCLUDES:  
REDUCERS FOR 3/4" AND 1/2" CONDUIT  
AND PLUGS FOR UNUSED HOLES.

MATERIAL #	ENGINEERING #	COLOR
1301280151	455-FD2	YELLOW
1301280161	455-FD2BLK	BLACK

RELEASE DRAWING EC NO.: ICG2014-0796 DRWN: HKNEELAN 2013/11/01 CH'KD: HKNEELAN APPR: JFMURPHY 2013/11/08	QUALITY SYMBOL	GENERAL TOLERANCES (UNLESS SPECIFIED)	DIMENSION STYLE INCH[MM]	SCALE NTS	DESIGN UNITS INCH	THIRD ANGLE PROJECTION
	▽=0	4 PLACES ±--- ±---	mm INCH	DRAWN BY DATE	TITLE	FD BOX, 2 GANG FOR WATERTITE PRODUCTS
	∇=0	3 PLACES ±--- ±.005		CHKD BY DATE		
		2 PLACES ±0.13 ±.010		APPROVED BY DATE	MATERIAL NO. SEE CHART	
		1 PLACE ±0.25 ±.020	ANGULAR ±.5°	JFMURPHY 2013/11/08	MOLEX INCORPORATED	
			DRAFT WHERE APPLICABLE MUST REMAIN WITHIN DIMENSIONS	SHEET NO. 1 OF 1		
				THIS DRAWING CONTAINS INFORMATION THAT IS PROPRIETARY TO MOLEX INCORPORATED AND SHOULD NOT BE USED WITHOUT WRITTEN PERMISSION		

13 12 11 10 9 8 7 6 5 4 3 2 1