

# LCD-MID-CB

Mid-Size Flat Panel Ceiling Mount

## Product Features:

Holds 27" – 42" flat panels

Maximum flat hole pattern - 410mm x 340mm

Mast telescopes 23" – 35"

Rotates 360° / Adjustable -5° to +20° tilt

Cable management through the center of the mast

Load capacity – 100 lbs

Black powder coat finish

Also available in silver finish (LCD-MID-C)

## Product Specifications:

*(for Architects & Engineers)*

The ceiling mount for mid-sized flat panels shall be the Video Mount Products (VMP) LCD-MID-C. The mount shall primarily be constructed of formed steel and shall incorporate arc welds and spot welds. The mount shall be capable of adjusting to accommodate a wide variety of flat panels ranging in size from 27" to 42" and not necessarily be model specific. The adjustable mounting rails shall be capable of accommodating a maximum hole pattern of 410 mm wide and 340 mm tall. The mount shall be capable allowing a tilt ranging from -5° to +20° and allow for a 360° swivel. The load capacity shall be 100 lbs.

## Video Mount Products

345 Log Canoe Circle

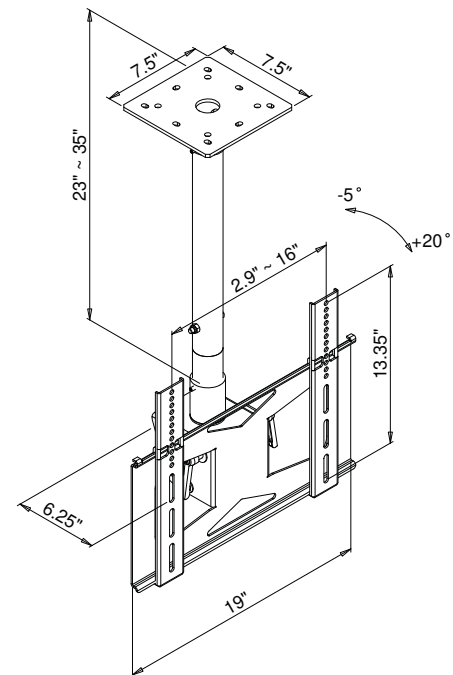
Stevensville, MD 21666

Toll Free: 877.281.2169

Telephone: 410.643.6390

Facsimile: 410.643.6615

[www.videomount.com](http://www.videomount.com)



**VMP**  
VIDEO MOUNT PRODUCTS