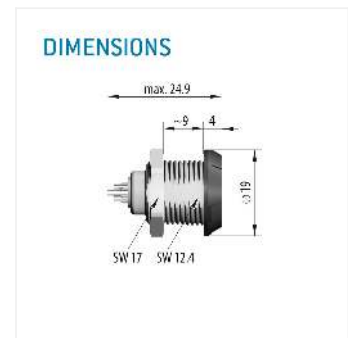
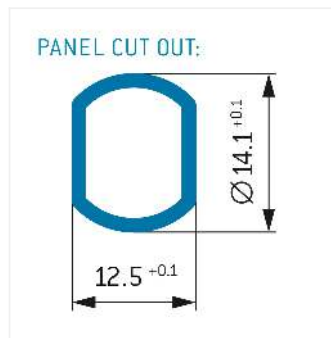
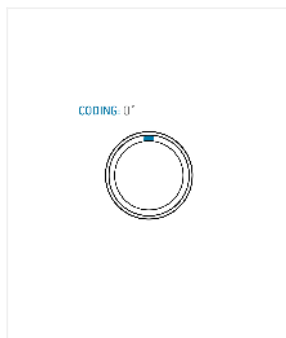


**G11M07-P08LFD0-0020**  
**medi\_snap, type\_g1**



**General information**

|                          |                     |
|--------------------------|---------------------|
| <b>Part number</b>       | G11M07-P08LFD0-0020 |
| <b>Termination</b>       | solder              |
| <b>Size</b>              | 1                   |
| <b>Locking principle</b> | break , push        |
| <b>Coding</b>            | 0_key               |



**Contact insert description**

|                             |         |
|-----------------------------|---------|
| <b>Number of contacts</b>   | 8       |
| <b>Contact type</b>         | sockets |
| <b>Contact diameter</b>     | 07mm    |
| <b>Insulator material</b>   | peek    |
| <b>Wire cross section</b>   | 26_awg  |
| <b>Termination</b>          | solder  |
| <b>Termination diameter</b> | 065mm   |

reverse\_gender\_on\_request

**Technical information**

|   |          |               |
|---|----------|---------------|
| <b>Max. creepage and air clearance distance</b> | 06_mm    |               |
| <b>Nominal current single contact</b>           | 06_a     | iec_60512_5_2 |
| <b>Nominal current insert</b>                   | 3,9 A    | vde_0298_4    |
| <b>Test voltage</b>                             | 16_kv_dc | sae_13441     |

safety\_text

**Mechanical and environmental data**

|                              |          |
|------------------------------|----------|
| <b>Degree of protection*</b> | ip50     |
| <b>Operating temperature</b> | 50_120_c |
| <b>Mating cycles</b>         | 5000     |

mated\_unmated

### Insulator materials MEDI-SNAP®

psu\_peek

### Material and surface treatments

|                     |               |
|---------------------|---------------|
| <b>Housing</b>      | psu_gray      |
| <b>Color option</b> | red           |
| <b>Contact</b>      | cu_alloy_gold |

safety\_text\_2

ul\_text

illustrative\_text