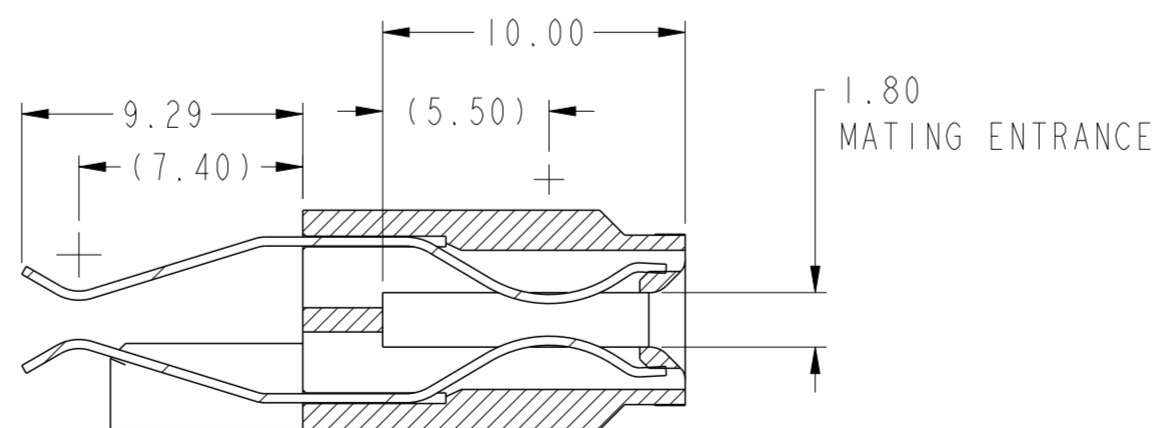


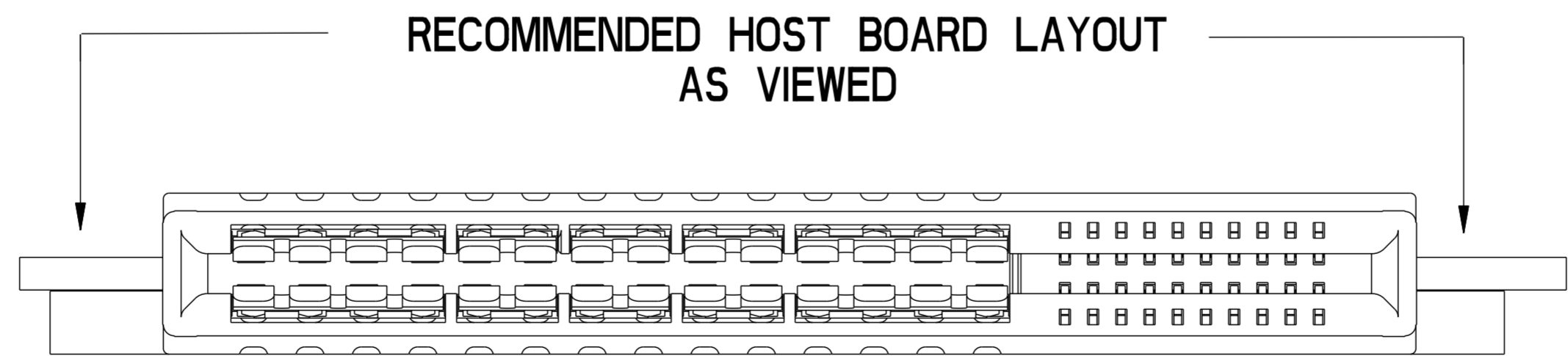
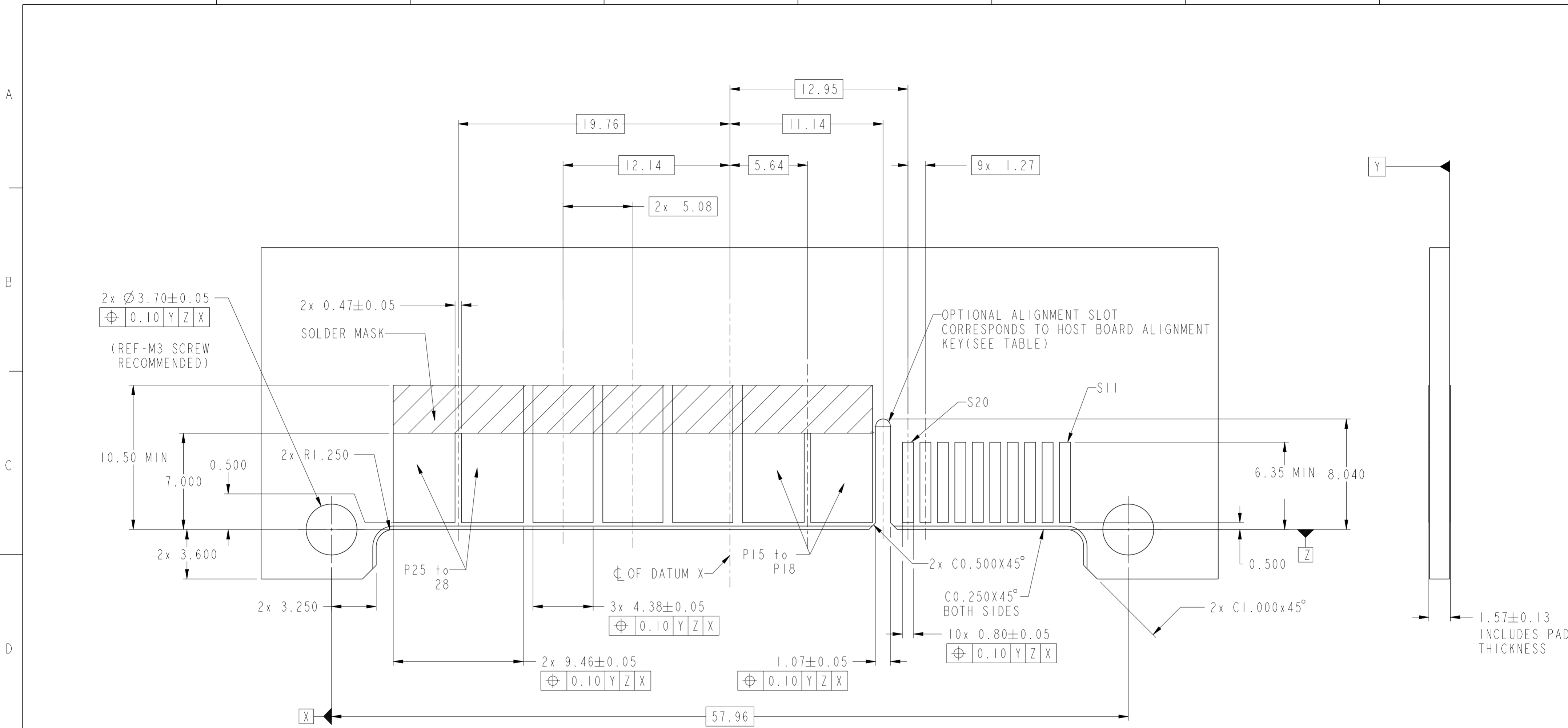
SECTION A-A



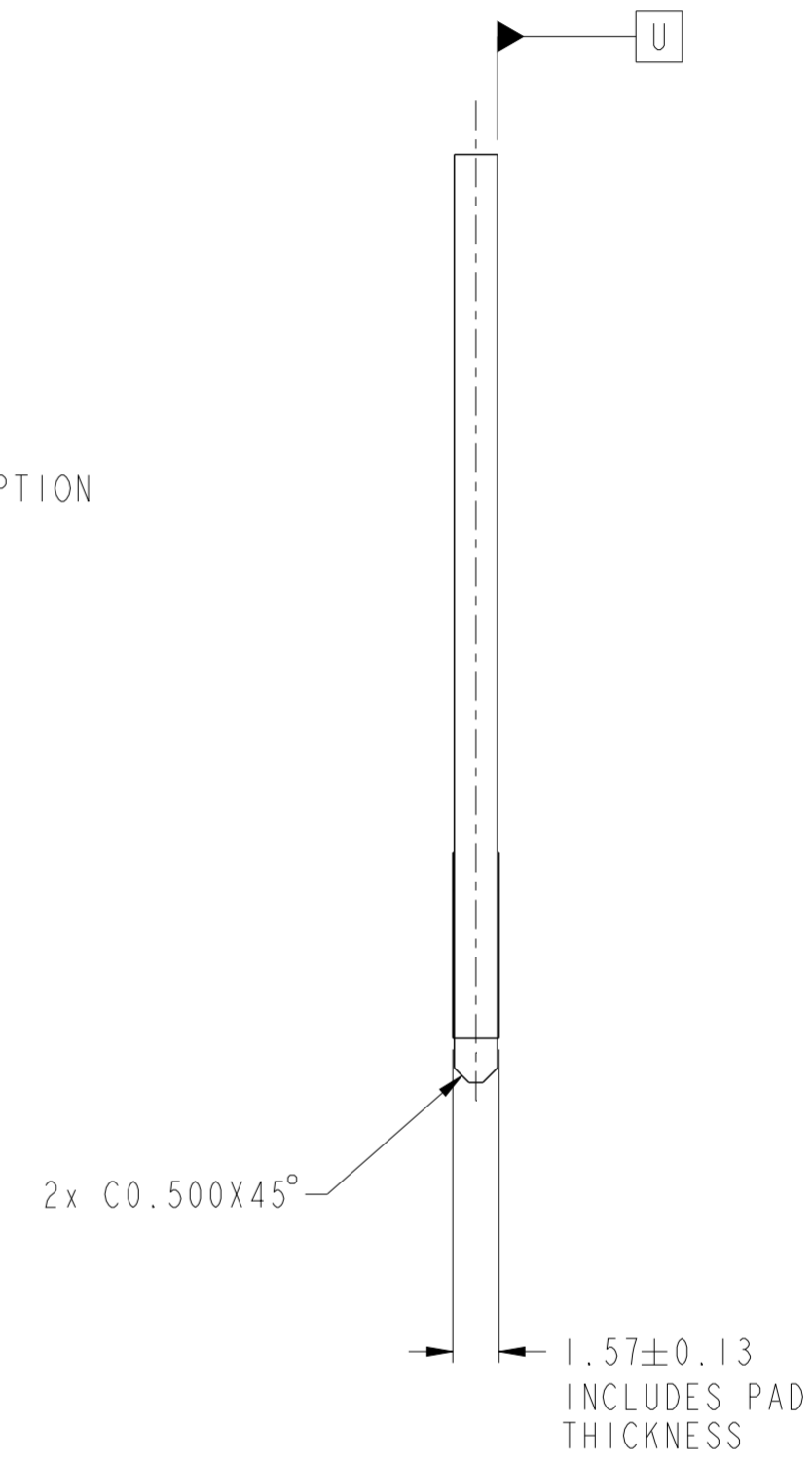
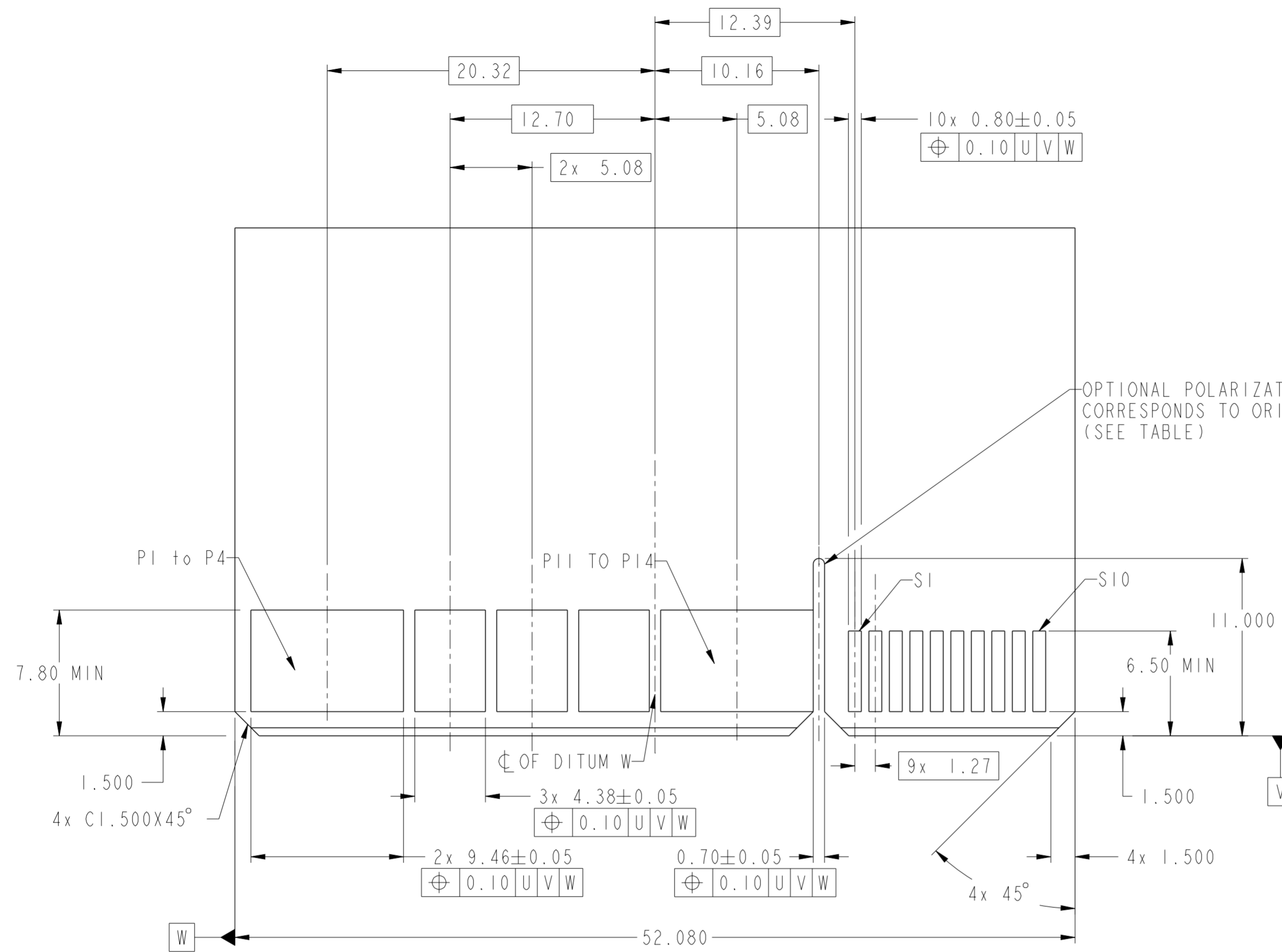
SECTION B-B

REV	ECN NO.	DR	DATE
A	---	ERIC	2013-04-02

spec ref	-	dr	Wei-Long Zhang	2012/09/25	projection	MM	size	A2	scale	4:1
tolerance std	ISO 406 ISO 1101	eng	Eric Jiang	2013/04/02			ecn no	-	rel level	Released
surface	ISO 1302	chr	-	apppr						
TOLERANCES UNLESS OTHERWISE SPECIFIED linear: 0.X ±0.5, 0.XX ±0.25, 0.XXX ±0.10 angular: 0° ±2°				title: STRADDLE MT 28P+20S HIGH POWER CARD EDGE-ENHANCED WALL		cat. no.: -		Product - Customer Drw		sheet 1 of 4



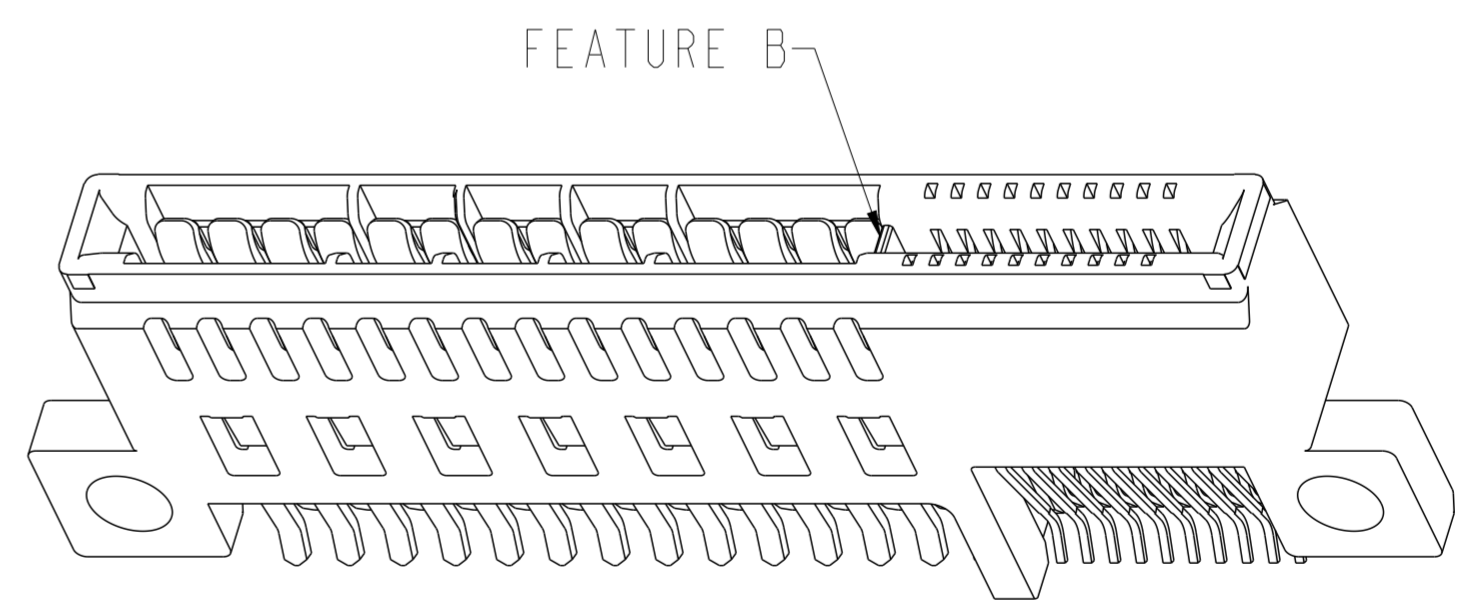
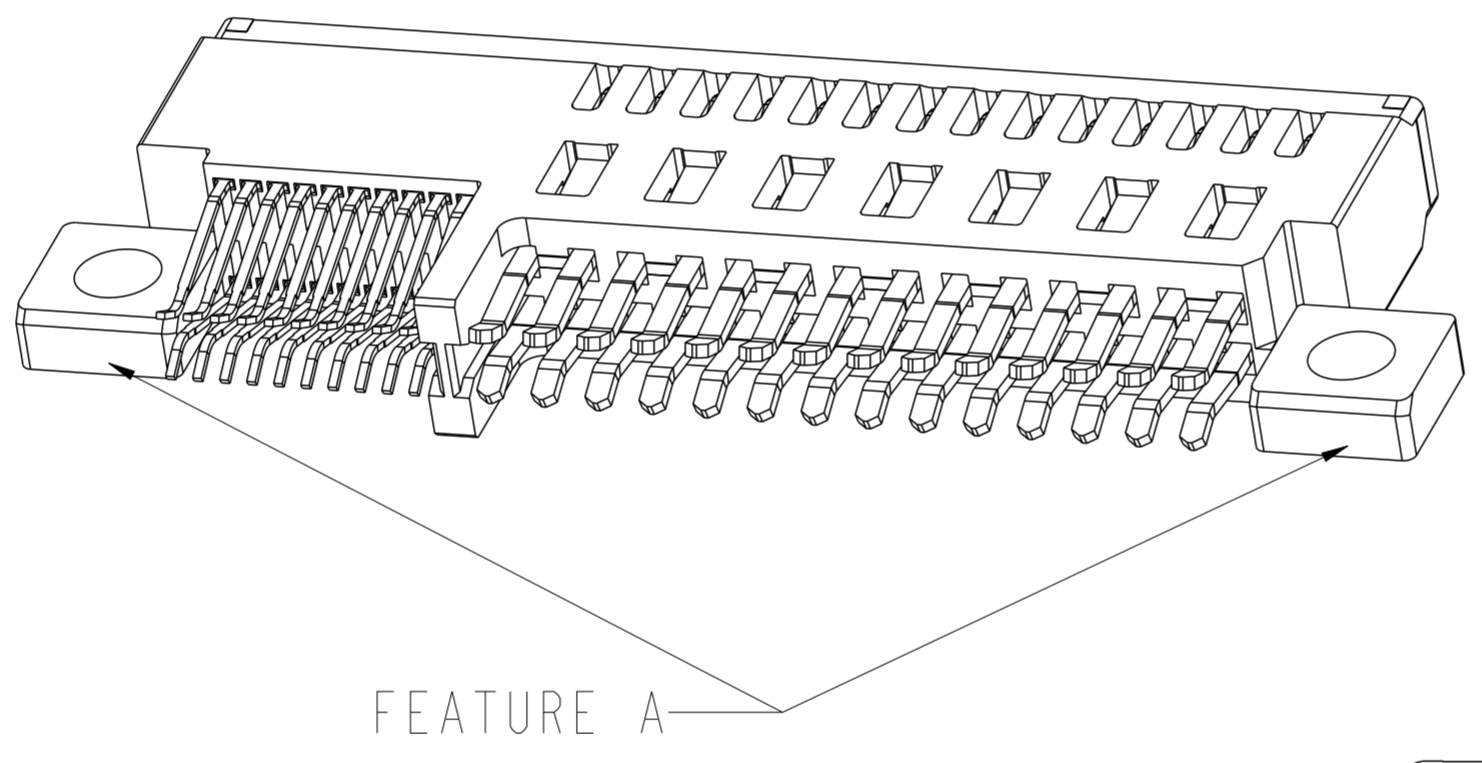
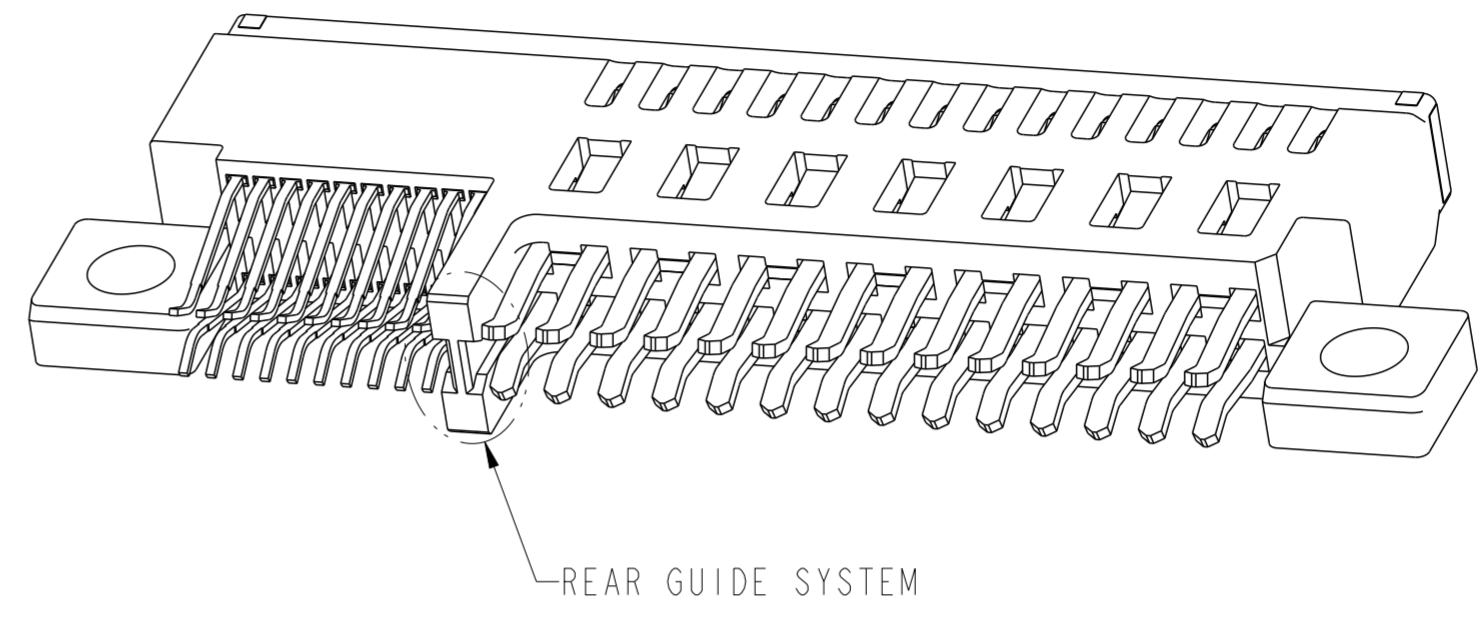
dr	Wei-Long Zhang	2012/09/25	projection	MM	size	A2	scale	4:1
eng	Eric Jiang	2013/04/02			ecn no.	-	rel level	Released
chr	-	-						
appr	Pei-Ming Zheng	2013/04/02	product family	CARD EDGE	cat. no.	-	Product - Customer Drw	sheet 2 of 4
			STRADDLE MT 28P+20S HIGH POWER CARD EDGE-ENHANCED WALL		dwg no. 10122859	rev A		



RECOMMENDED MATING BOARD FOOTPRINT

dr	Wei-Long Zhang	2012/09/25	projection	MM	size	A2	scale	4:1
eng	Eric Jiang	2013/04/02		MM	ecn no	-	rel level	Released
chr	-	-						
appr	Pei-Ming Zheng	2013/04/02	product family	CARD EDGE	rel level	Released		
		STRADDLE MT 28P+20S HIGH POWER CARD EDGE-ENHANCED WALL			dwg no 10122859	rev A		
www.fci.com		cat. no.	Product - Customer Drw			sheet 3 of 4		

PART NUMBER	REAR GUIDE SYSTEM	FEATURE A MOUNTING EARS	FEATURE B FRONT POLARIZATION KEY
10122859-009LF	YES	YES	NO
10122859-010LF		YES	YES
10122859-011LF		NO	NO
10122859-012LF	NO	NO	YES
10122859-013LF		YES	NO
10122859-014LF		YES	YES
10122859-015LF		NO	NO
10122859-016LF		NO	YES



NOTES:

1. CONNECTOR MATERIALS:
 HOUSING: HIGH TEMPERATURE THERMAL PLASTIC, BLACK
 UL 94V-0 COMPLIANT
 CONTACTS: HIGH PERFORMANCE COPPER ALLOY.
2. CONTACT FINISH REF. GS-12-604 SECTION 5.2.
3. PRODUCT SPECIFICATION: GS-12-604.
4. APPLICATION SPECIFICATION: GS-20-128.
5. PRODUCT MARKING (FCI - PART NUMBER & DATE CODE) ON HOUSING IN AREA SHOWN.
6. PACKAGING MEETS FCI SPECIFICATION GS-14-937.
7. HOUSING COMPONENT WILL WITHSTAND EXPOSURE TO 260°C PEAK TEMPERATURE FOR 60 SECONDS IN A CONVECTION, INFRA-RED, OR VAPOR PHASE REFLOW OVEN.
8. HOST BOARD ALIGNMENT KEY IS RECOMMENDED TO ENSURE PROPER ALIGNMENT OF SOLDER TAILS WITH HOST BOARD PADS.

dr	Wei-Long Zhang	2012/09/25	projection	MM	size	A2	scale	4:1
eng	Eric Jiang	2013/04/02			ecn no.	-	rel level	Released
chr	-	-			product family	CARD EDGE		
appr	Pei-Ming Zheng	2013/04/02			cat. no.	10122859	rev	A
www.fci.com			Product - Customer Drw		sheet 4 of 4			

Copyright FCI. FCI