

THIS DRAWING IS UNPUBLISHED.

RELEASED FOR PUBLICATION

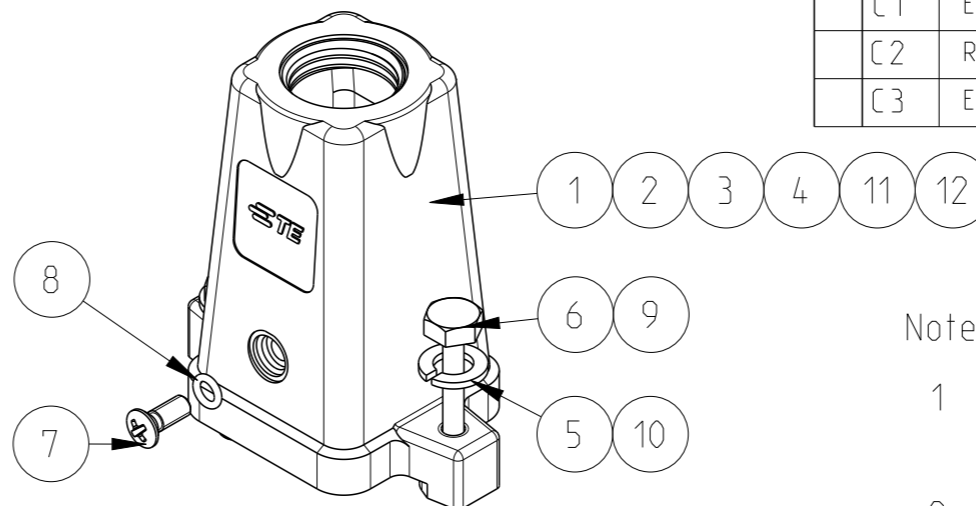
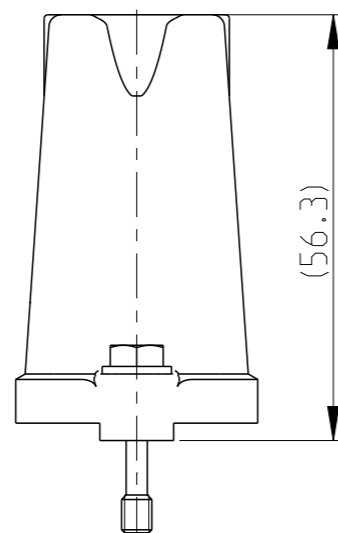
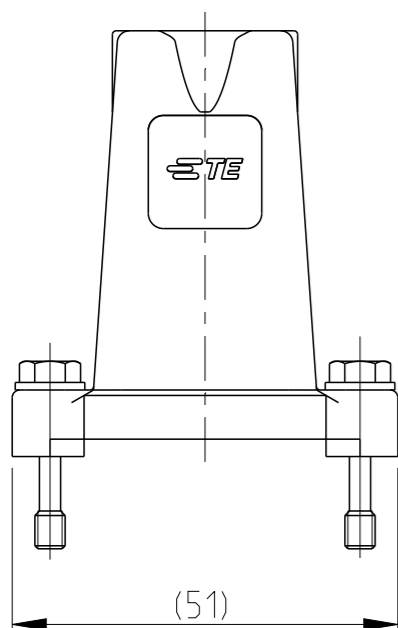
2009

REVISIONS

© COPYRIGHT 2009 BY -

ALL RIGHTS RESERVED.

P	LTR	DESCRIPTION	DATE	DWN	APVD
	C	ECR-16-014579	26APR2017	GCM	JB
	C1	ECR-17-010220	08AUG2017	GCM	JB
	C2	REVISED PER ECR-17-014013	12FEB2018	SRG	MKO
	C3	ECR-21-123577	21MAR2022	RK	JB

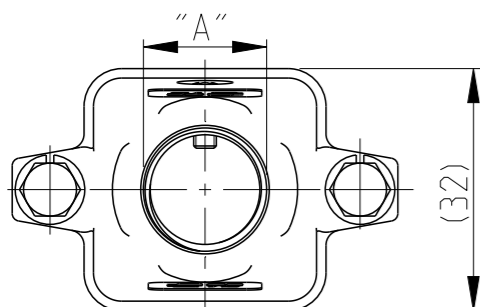


PN 0-1 AS SHOWN

OBSOLETE	0-1106402-8	EMV.3/4.STO.1.M20.G
	0-1106402-7	EMV-K.3/4.ST-N
OBSOLETE	0-1106402-6	EMV-K.3/4.STO.1.M20.G
	0-1106402-5	EMV-K.3/4.STO.1.M16.G
	0-1106402-4	EMV.3/4.STO.1.M16.G
	0-1106402-3	EMV-K.3/4.STO.1.M20.G
	0-1106402-2	EMV-K.3/4.STO.1.M16.G
	0-1106402-1	EMV.3/4.STO.1.M16.G
PART NO.	ORDERING TEXT	

Notes

- 1 SUITABLE HOUSINGS: SERIES EMV, SIZE 1  
CUSTOMER DRAWING 1102703; 1102702
- 2 STANDARDS: DIN EN 61984, DIN EN 60664-1
- 3 SURFACE: CHROMIT AL TCP PASSIVATION
- 4 TOOLS: PHILLIPS SCREWDRIVER PH1  
HEXAGON SCREWDRIVER 7mm
- 5 VARNISH ON INSIDE AREA NOT NECESSARY
- 6 PACKAGING:  
10 SETS IN A CARTON, PRE-MOUNTED



PN/QTY	0-8	0-7	0-6	0-5	0-4	0-3	0-2	0-1	DESCRIPTION	"A"	MATERIAL	COLOR/SURFACE	NOTE	ITEM	
									CONNECTOR HOUSING	M20	ALU ALLOY	GREY	SERIES EMV, SIZE 1, METRIC	12	
									CONNECTOR HOUSING		ALU ALLOY	BLACK	SERIES EMV-K.3/4.ST-N, SIZE 1, METRIC, W/O THREAD & LOGO	11	
			2	2					WASHER, PLAIN		STAINL. STEEL	BLANK	A4, DIN EN ISO 7089, 200HV (V4A)	10	
			2	2					SCREW, HEXAGON BOLT		STAINL. STEEL	BLANK	M4x22 DIN EN ISO 7964, REDUCED SHUNK (V4A)	9	
	1	1	1	1	1	1	1	1	O - RING		NBR	BLACK	3.0x1.0	8	
	1	1	1	1	1	1	1	1	SCREW COUNTERSUNK RAISED HEAD		STAINL. STEEL	V2A	M3x8 PH1 DIN EN ISO 7047	7	
	2	2				2	2	2	SCREW, HEXAGON BOLT		STAINL. STEEL	BLANK	M4x22 DIN EN ISO 7964, REDUCED SHUNK	6	
	2	2				2	2	2	WASHER, PLAIN		STAINL. STEEL	BLANK	A4, DIN EN ISO 7089, 200HV	5	
			1						CONNECTOR HOUSING	M20	ALU ALLOY	WHITE	3	SERIES EMV-K, SIZE 1, METRIC	4
						1			CONNECTOR HOUSING	M20	ALU ALLOY	BLACK	3	SERIES EMV-K, SIZE 1, METRIC	3
				1			1		CONNECTOR HOUSING	M16	ALU ALLOY	BLACK	3	SERIES EMV-K, SIZE 1, METRIC	2
				1				1	CONNECTOR HOUSING	M16	ALU ALLOY	GREY	SERIES EMV, SIZE 1, METRIC	1	

PARTS LIST (PER ONE UNIT)

THIS DRAWING IS A CONTROLLED DOCUMENT.

DIMENSIONS:	TOLERANCES UNLESS OTHERWISE SPECIFIED:
mm	
0 PLC	±
1 PLC	±
2 PLC	±
3 PLC	±
4 PLC	±
ANGLES	±1°
MATERIAL	FINISH

DWN	V.GLUMM	14AUG2009
CHK	H.Braun	14AUG2009
APVD	T.Schnurpfeil	14AUG2009
PRODUCT SPEC		
APPLICATION SPEC		
WEIGHT		



CONNECTOR HOUSING ASS'Y, TOP ENTRY  
SERIES EMV, SIZE 1, METRIC

SIZE	CAGE CODE	DRAWING NO	RESTRICTED TO
A3	00779	C=1106402	

CUSTOMER DRAWING SCALE 5:1 SHEET 1 OF 1 REV C3